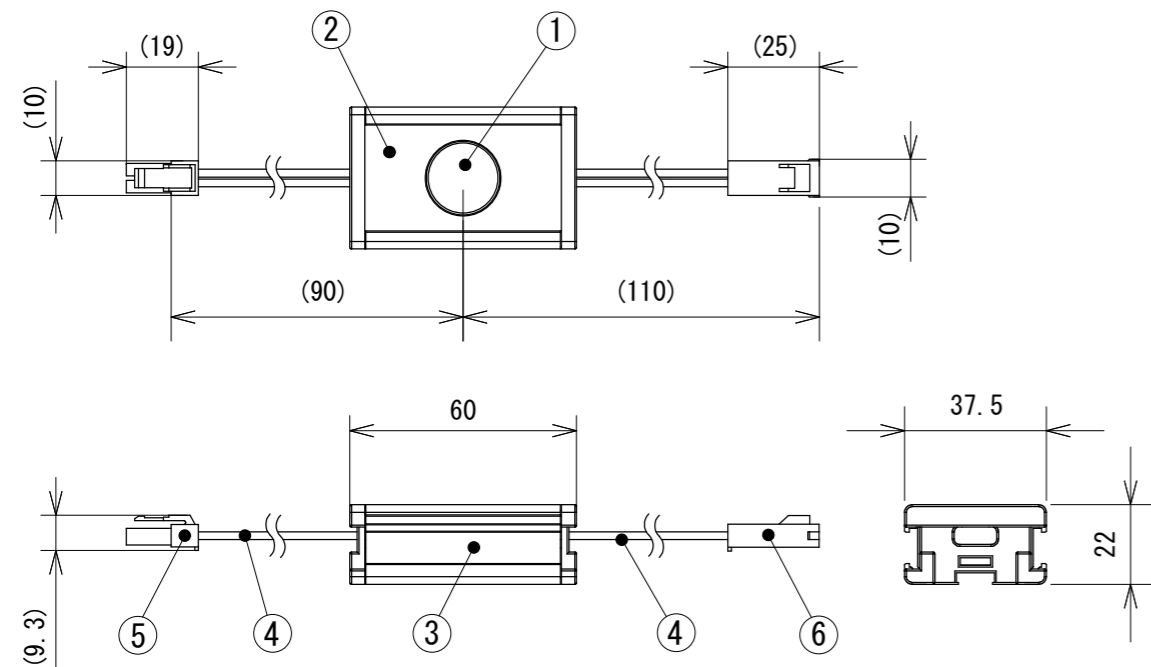
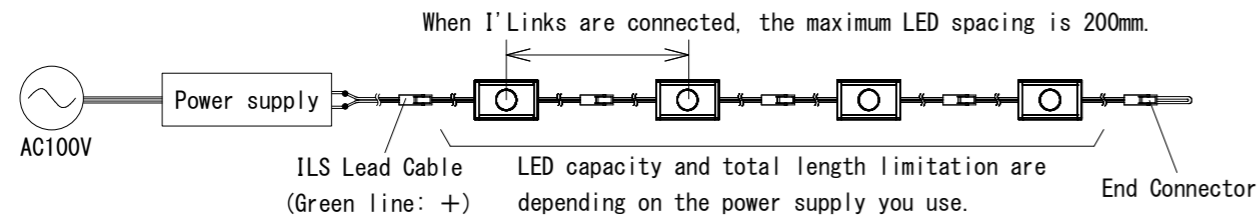


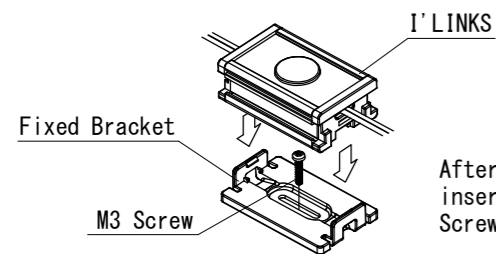
■ Main body



■ Wiring



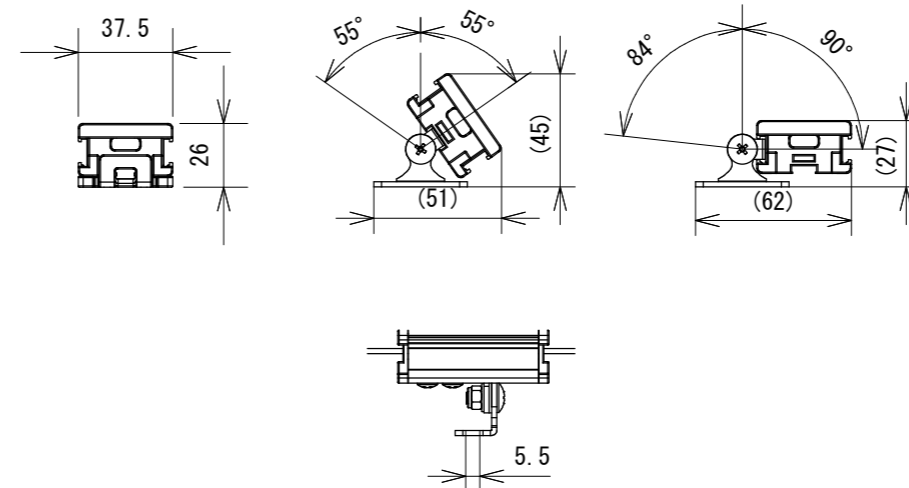
■ Installation w/ Fixed Bracket



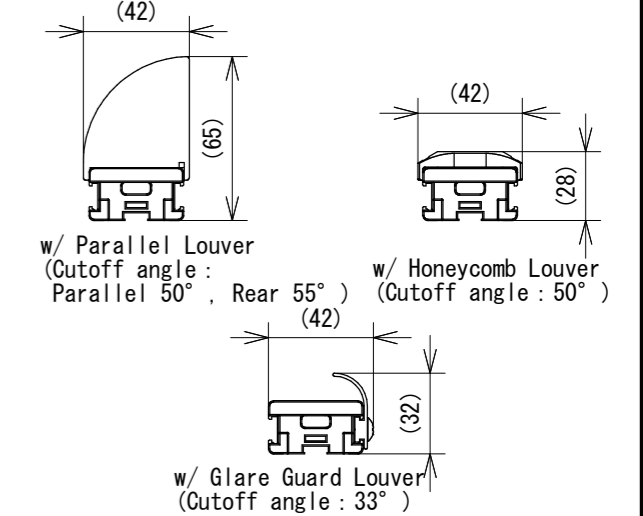
After screwing brackets into the mounting position, insert the fixture into the bracket. Screws to be procured on site.

■ Dimensions with optional parts (Scale 1:3)

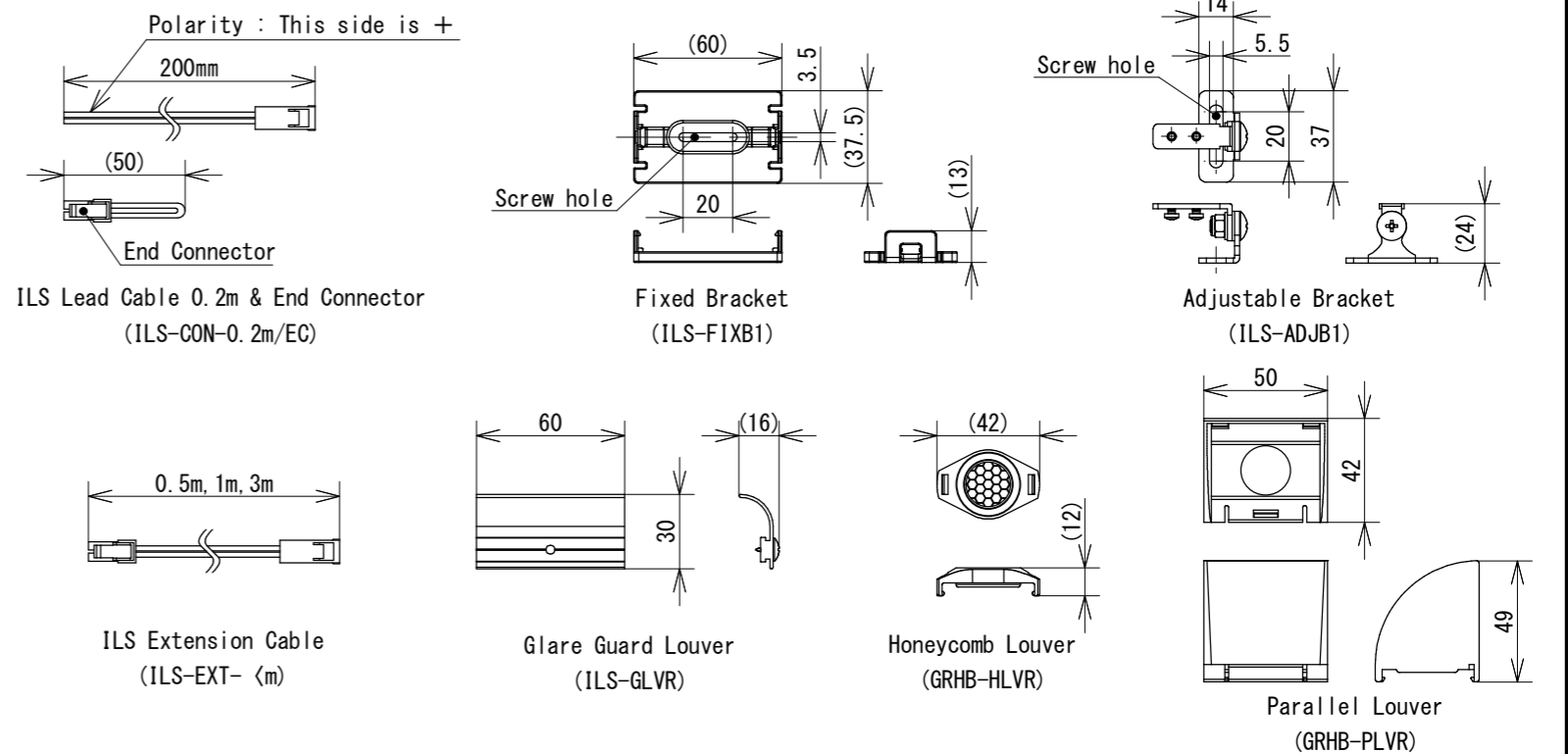
■ w/ Fixed Bracket ■ w/ Adjustable Bracket



■ w/ Optional Louvers



■ Additional parts (Scale 1:3)



Specifications

• Current	: 700mA
• Wattage	: 2.1W/LED
• LED Color	: 2700K, 3000K, 3500K, 4000K
• Beam Angle	: SP[40° × 15°], 8D, 15D (made-to-order) (25D), (35D)

Precautions

- Dedicated constant current LED drivers are required.
- NEVER work on live-wire.
- End Connectors are an absolute necessity for lighting.

No.	Parts 部品	Material 材料	Memo 備考
6	Output Connector	Nylon	SLR-02VF Black or White
5	Input Connector	Nylon	SLP-02V Black or White
4	Lead Wire	PVC	AWG18 (AWG18 x 2, Black)
3	Body	AL	Finish: Black anodized
2	Cover	PC	Black
1	Lens	PC	

Date 日付	2019.10.15	Scale 縮尺	1:2	Title 名称	I' LINKS	
Draft 製図	Y. Terabe	Weight 重量	50g/unit		Product No. 製品番号	ILS-___K-___ LED Color Beam angle
Check 検図	T. Inaba	Unit 単位	mm	TOKI CORPORATION トキ・コーポレーション株式会社		
Approve 承認	C. ishibiki	Size 用紙	A3			