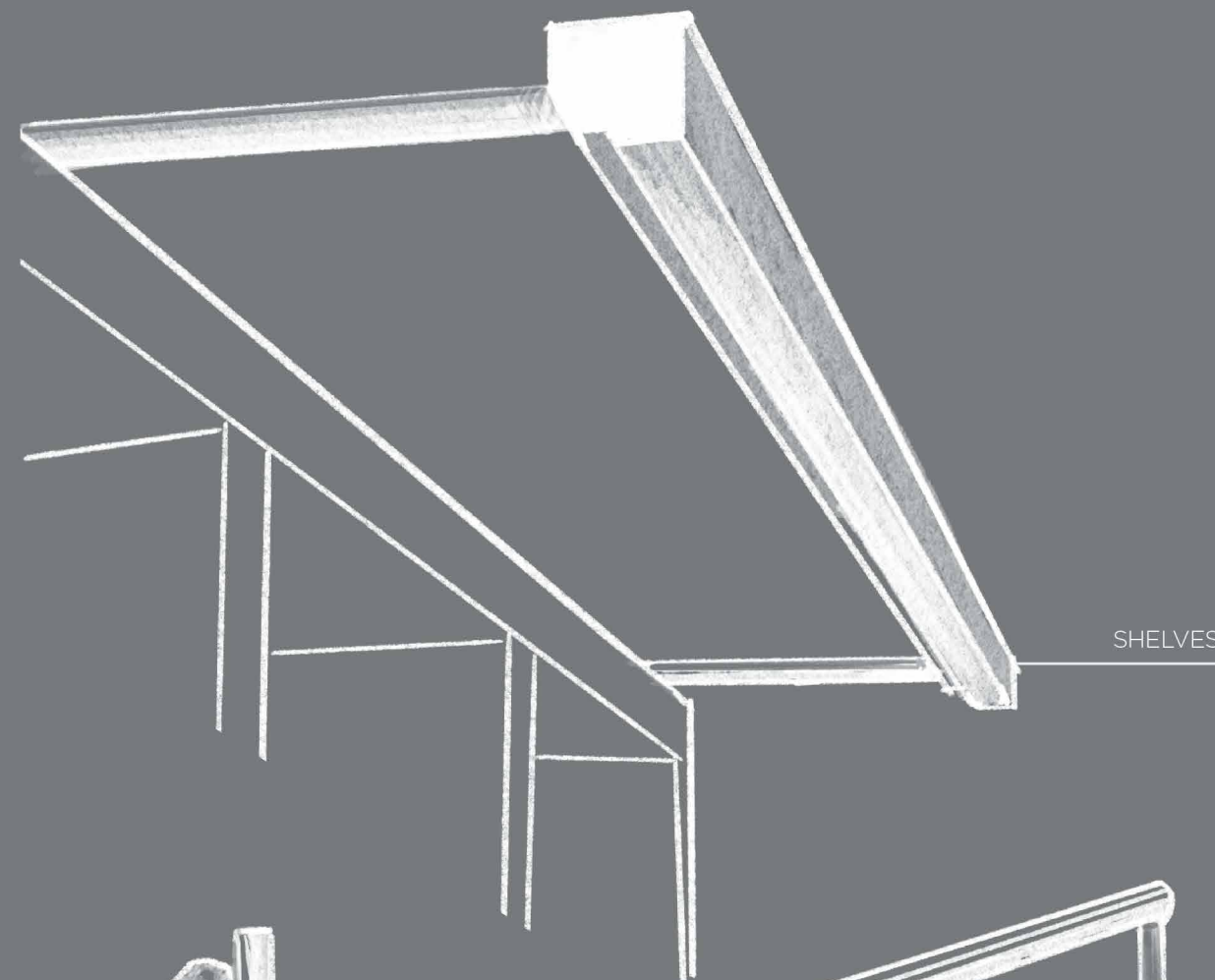
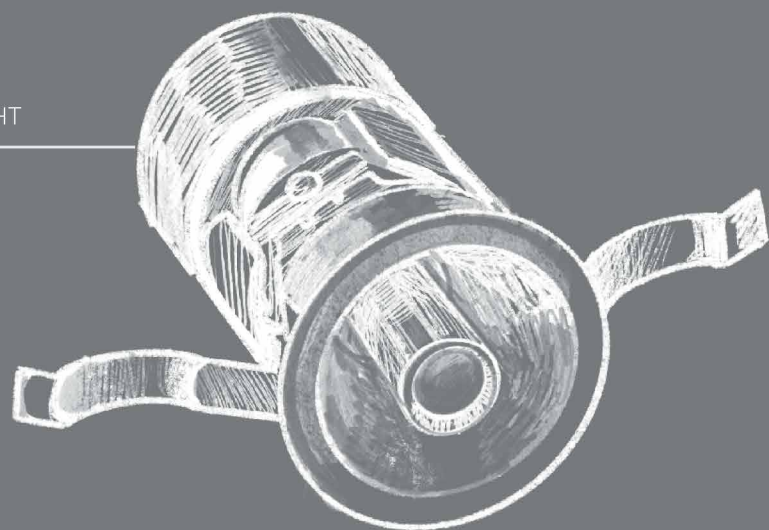


TOKISTAR

NEW

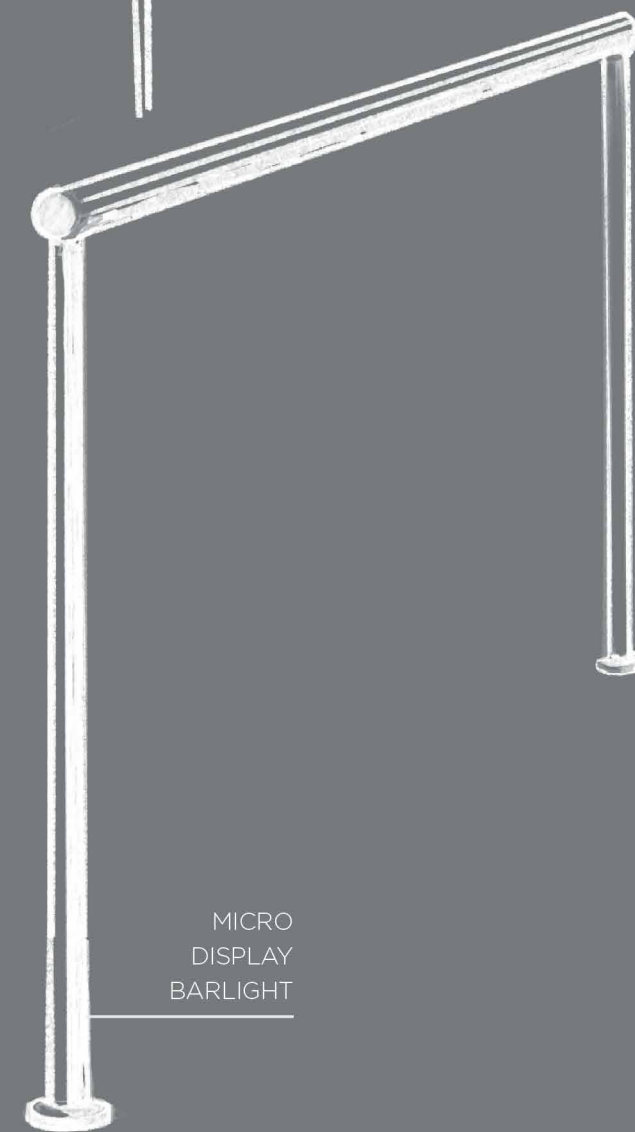
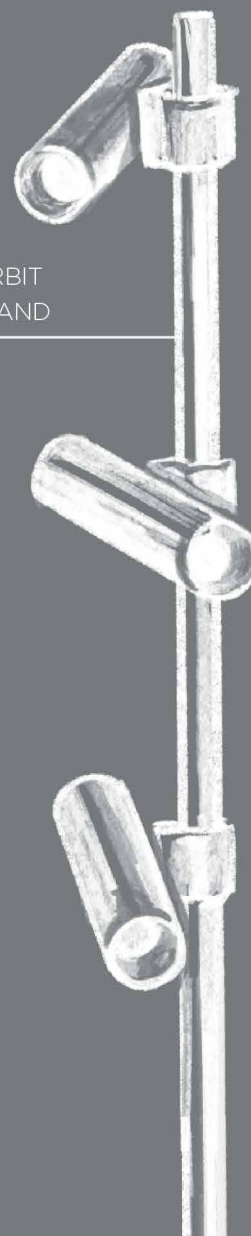
ITEMS CATALOG 2024

MICRO
READING
DOWNLIGHT



SHELVES

ORBIT
STAND



MICRO
DISPLAY
BARLIGHT

2F JS Progre, 4-1-23, Heiwajima,
Ota-ku, Tokyo 143-0006, Japan
TEL : +81-3-5763-6121
FAX : +81-3-5763-6130
www.toki.co.jp/tokistar/en/



2024.3 Ver. 1

New
Items

MICRO
READING
DOWNLIGHT
▶ P.3



SHELVES
▶ P.5



MICRO
DISPLAY
BARLIGHT
▶ P.9



ORBIT
STAND
▶ P.13



CONTENTS

- MICRO READING DOWNLIGHT
- SHELVES
- MICRO DISPLAY BARLIGHT
- ORBIT STAND

MICRO READING DOWNLIGHT

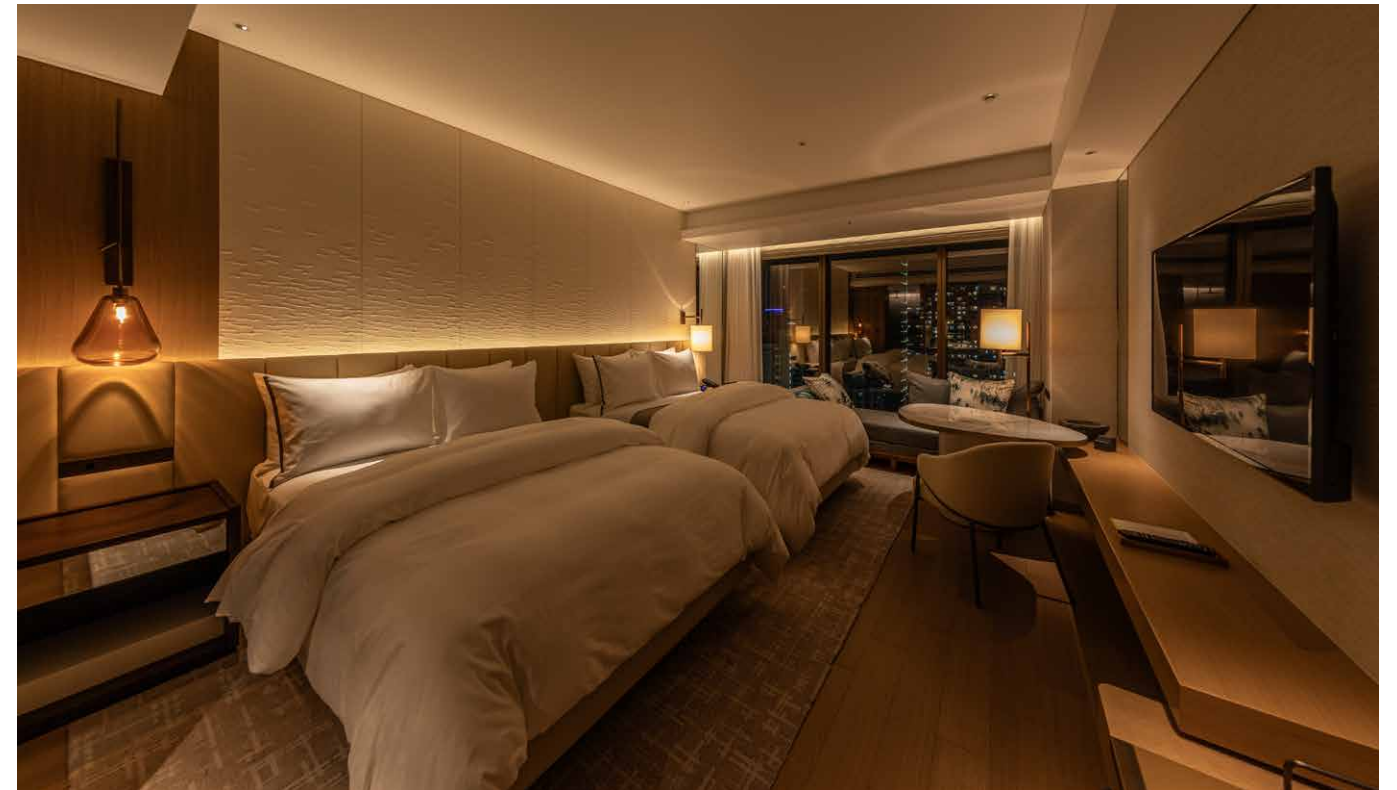


Input = 100-240VAC 50/60Hz 0.1A
 Main Materials = Aluminum, PMMA & PBT
 Weight = 84g
 Glare-cut Angle = 45°

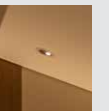
MRD01-□□K-W-NC

LED Color
 27K : 2700K
 30K : 3000K

Fixture Color
 W : White

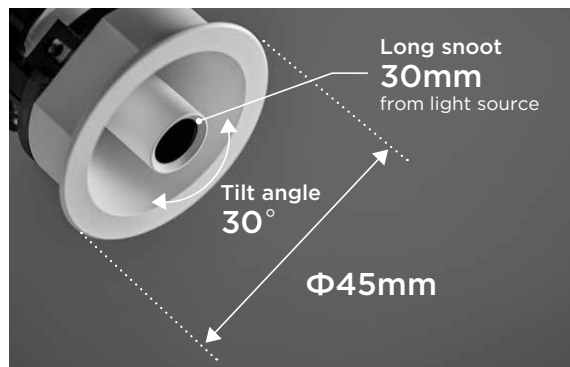


The Westin Yokohama
 Owner : Sekisui House
 Design : Nihon Sekkei /GA Design International
 Lighting Design : Lighting Planners Associates



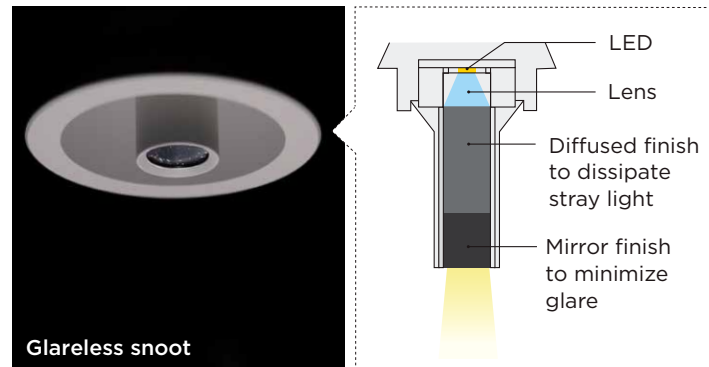
System Features

Point 01 Specially designed as a reading light



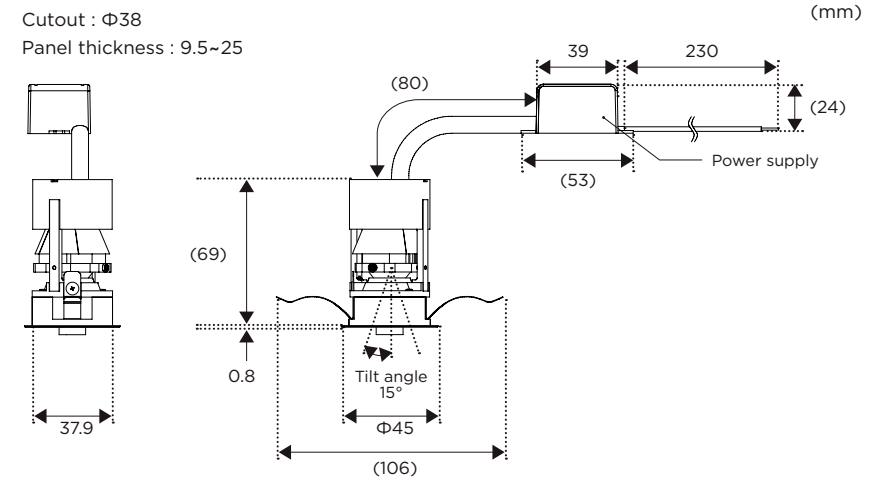
Inspired by aircraft reading lights this form, despite its minimal size functions very effectively as a reading light. The optical axis uses a gimbal structure, allowing a maximum of 30° tilt angle and 360° rotation angle, maximizing the degree of freedom when arranging the light. Ideal for use in hotel guest rooms, residential bedrooms, office spaces, etc.

Point 02 Specially designed to be glare free



Determined to create the best down light for reading, we purposely adopted a point light source. Light concentration is controlled by a lens, and light leakage is controlled by two types of snouts with different surface treatments. This results in a high-quality spotlight that suppresses flare and glare.

Specifications



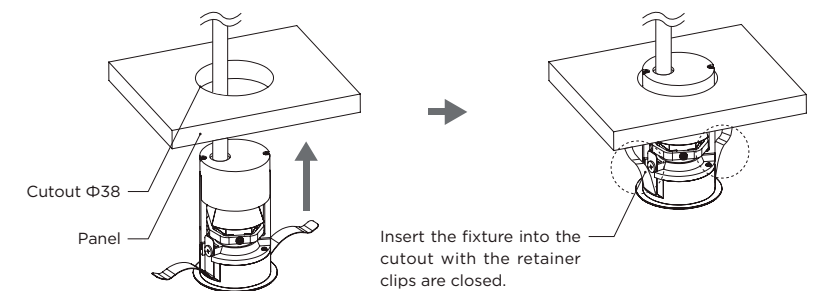
Light Distribution

The value shown is for 3000K module.

Beam Angle	Beam Diameter (mm)	Beam Diameter (lx)
12°	Φ20	2818
30°	Φ40	704
500	Φ60	313
1000	Φ80	176
1500	Φ100	113
2000	Φ120	78
2500		
3000		
[mm]	[lx]	

Installation

Panel thickness can range from 9.5 to 25 mm. A Φ38 mm cutout is required. Make sure the cutout is of sufficient strength and there is adequate space for mounting.



SHELVES



INDOOR	24VDC 0-10V / 1-10V	24VDC DMX	CRI95
--------	------------------------	--------------	-------

Voltage = 24VDC
 Wattage = 16W
 Main Materials =
 Aluminum, Stainless steel
 Weight = 1083g
 Lead Cable = AWG18x2

SHE01-HC□□K-□-L900

LED Color	Module Color	Length
HC30K : 3000K	B : Black	900mm
HC35K : 3500K	W : White	
HC40K : 4000K		



KAIDO books & coffee

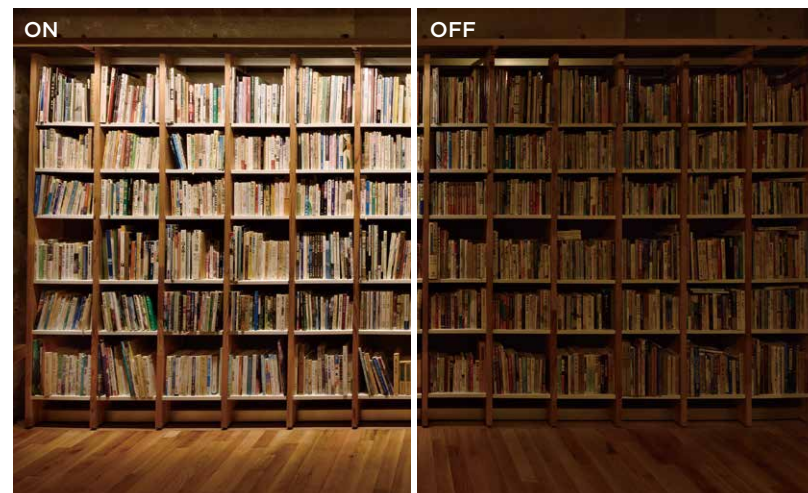
System Features

Point
01

Evenly illuminates shelves with one unit

High quality uniform light can be achieved by installing SHELVES at the top of a shelf. The standard fixture length is 900mm.

SHELVES arm lengths can be adjusted according to a shelves height.



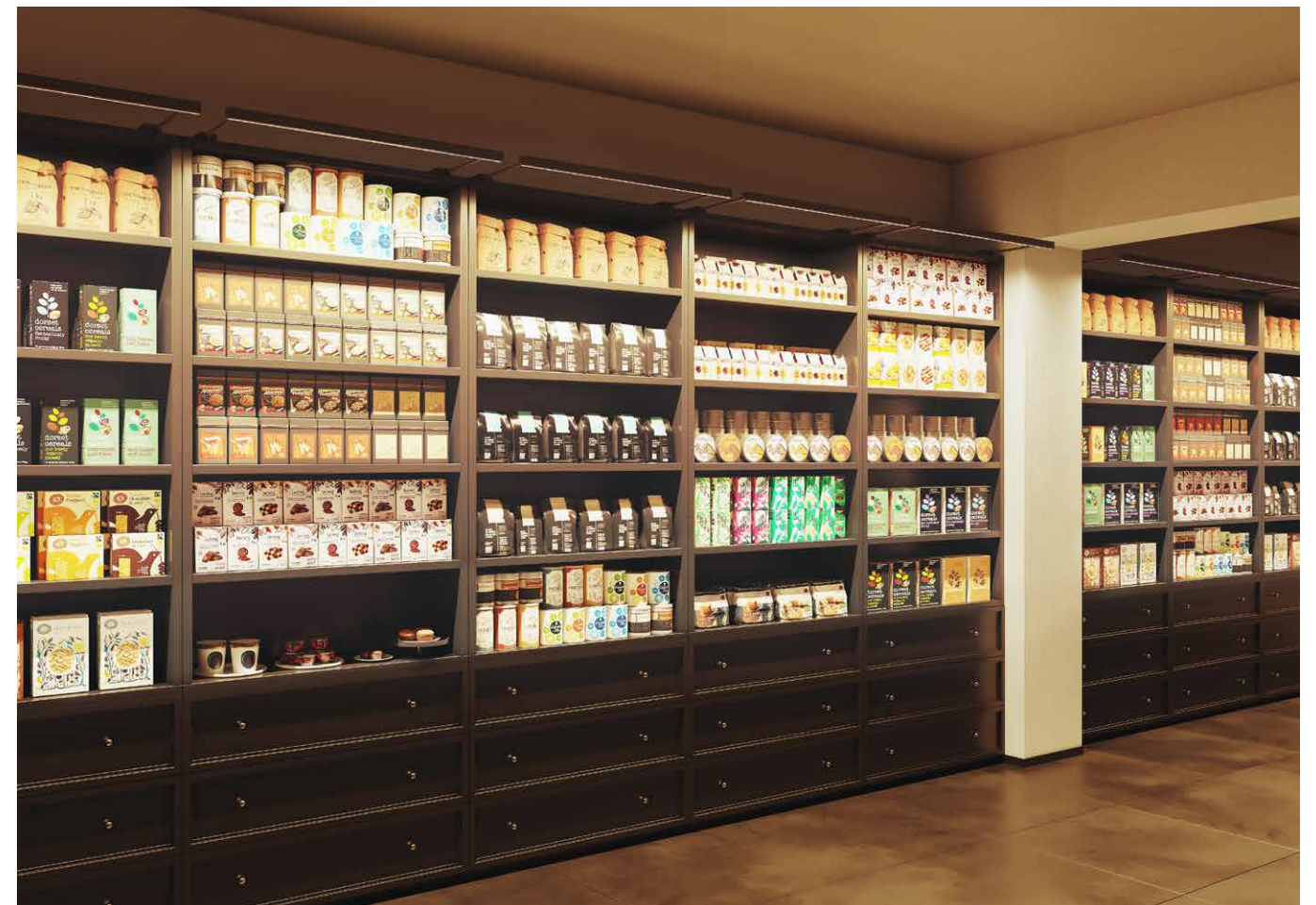
KAIDO books & coffee

Point
02

Custom finishes are available

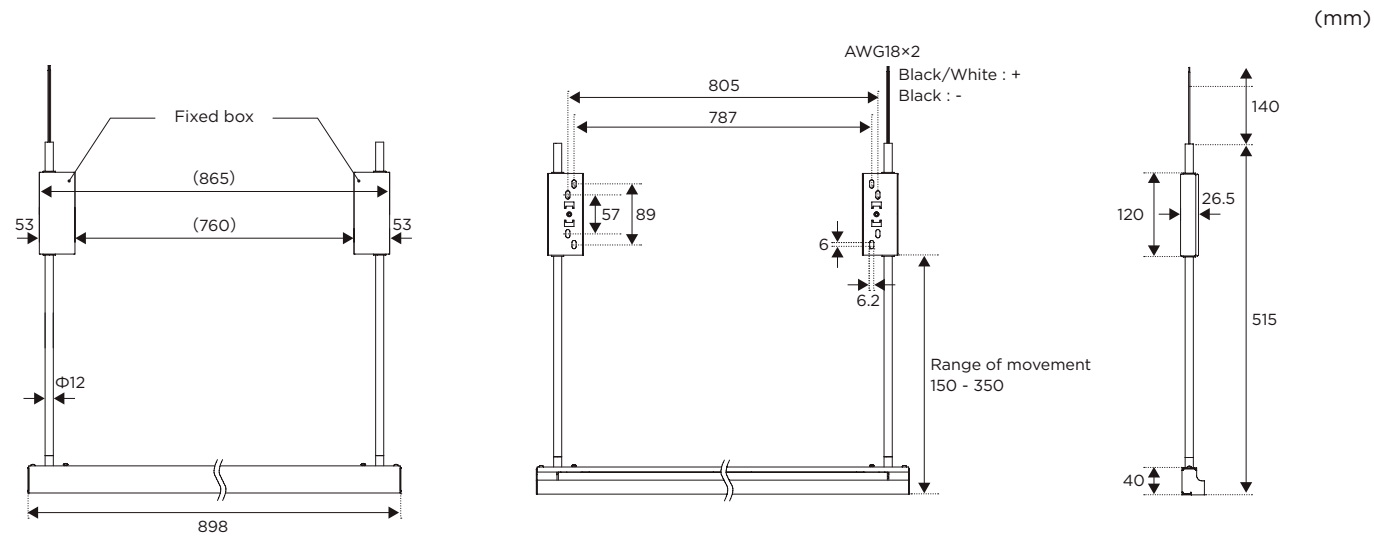


In addition to the standard black and white finishes, custom colors and wood grain finishes are available to match the existing shelves. Please contact us for details.

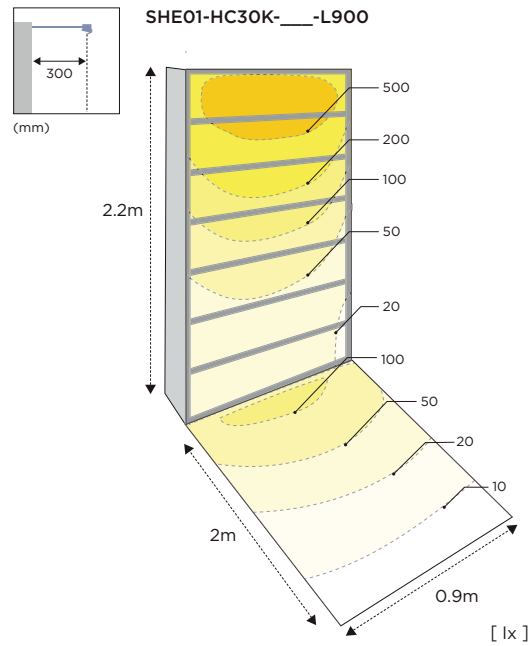


CG image

Specifications



Light Distribution



LED Colors, lm

3000K : 652lm CRI = 95

3500K : 652lm CRI = 95

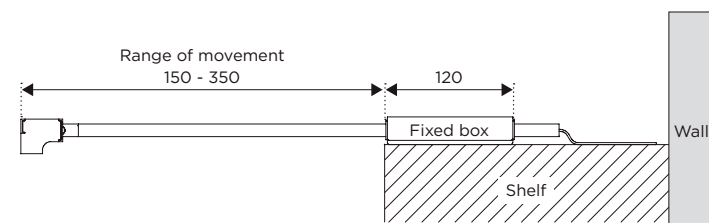
4000K : 652lm CRI = 95

Instructions

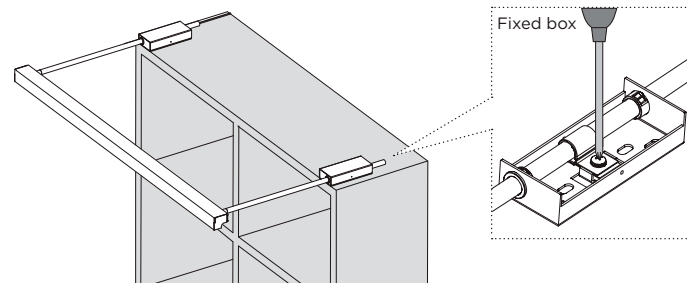
The entire fixed box must be placed on the shelf when installing the fixture.

If there is a wall behind the shelf, install the fixed box with enough space between the arms and wall to prevent it from contacting the wall.

The length of the arm can be adjusted according to the height of the shelf.



Secure the fixed box with screws suitable for the shelf material, using a mounting hole (up to 6mm \varnothing) inside.

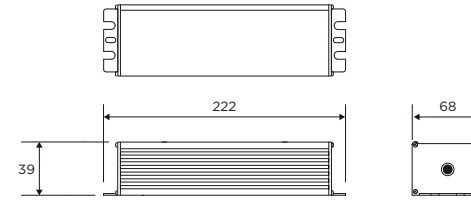


Power Supply

LDR24-96

Tokistar's LDR24-96 has a single 96 watt output.

(mm)



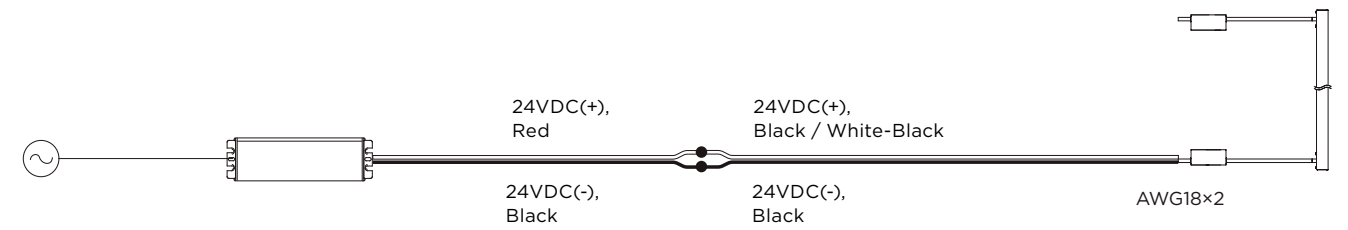
LDR24-96 Specifications

Input Range : 100-277VAC
Frequency Range : 50/60Hz
Output : 24VDC (+/- 3%)
Max. Output Current : 4.0A
Max. Output Power : 96W
Protection : Overload, Over voltage,
Short Circuit, Over Temperature
Working Temperature: -30°C-+50°C

Mechanical Specifications

Dimensions : 68 x 222 x 39mm
Weight : 998g
Enclosure Rating : Suitable for use in Dry,
Damp and Wet Locations/IP67 Rated
Mounting : Flange Mount
Safety Standards
UL 879, UL 8750, UL 1310 Class 2, TUV
EN60950-1, EN61347-1, EN61347-2-3 ind.
CAN/CSA C22.2, No. 223-M91, CE, IP67
Rated
LED Module Capacity
SHELVES : 6 each

Non-Dimming



Dimming

LC-1CH-MULTI Dimming System/24VDC

Tokistar's LC-1CH-MULTI Dimmer Pack is compatible with industry-standard dimmers working on DMX or 0/1-10VDC protocol. In the manual mode, a preset light level can be set without the use of an external dimmer.



LC-1CH-MULTI

Max. Load: 96W @ 24VDC
Environmental Rating : Dry Location/IP20
Dimensions : W40 x L90 x H20mm
Weight : 50g
Listing : ETL Listed/CE Certified
Operating Temperature: 0-+50°C

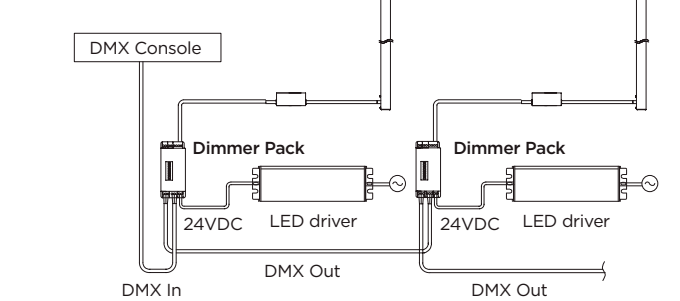
DMX Mode

In this mode, dimmer packs are addressable and may be used with any controller working on DMX protocol. Up to 36 dimmer packs may be connected in series. For applications exceeding 36 dimmer packs, a splitter is required. Consult factory on details of DMX Splitters.

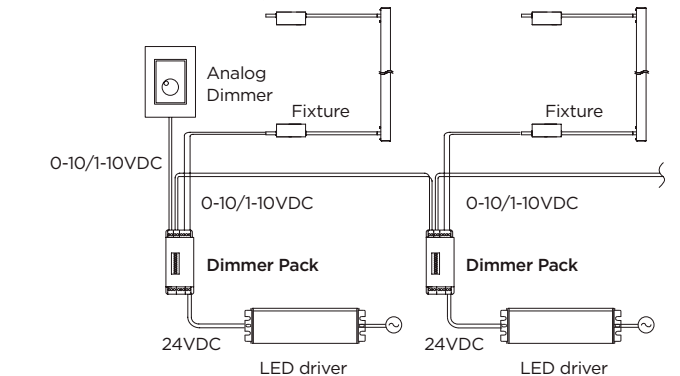
Analog Mode 0-10/1-10VDC

For operation from devices using 0-10/1-10VDC protocol, up to 10 dimmer packs may be connected in series. For applications exceeding 10 dimmer packs, an additional feed from the analog dimming device is required.

DMX Wiring Diagram



0-10/1-10VDC Wiring Diagram



Manual Mode

You may select a light intensity at which the fixtures operate. In this case, no external dimming device is required.

Recommended Lead Wire Size and Length Limitation

LED driver (non-dimming)	AWG14 55m
LED driver	
+ LC-1CH-MULTI or LC dimming	

The distance from the power supply to the fixture, and the load of the fixture, will determine the proper size of secondary wire. Fixtures require an individual lead. If additional wire needs to be attached, refer to the recommendation in this chart.

MICRO DISPLAY BARLIGHT



Voltage = 24VDC
 Wattage = L1200 : 23.0W
 L1500 : 25.9W
 Main Materials = Aluminum, Steel & PC
 Weight = L1200 : 600g (At H500mm)
 L1500 : 850g (At H500mm)
 Lead Cable = AWG22x2 2m

MDB01-HC□□K-□-L□□□□

LED Color	Module Color	Length
HC30K : 3000K	B : Black	L1200 : 1200mm
HC35K : 3500K	C : Chrome-plated	L1500 : 1500mm
HC40K : 4000K		
HC50K : 5000K		

REQUIRED

Stems cutting (for L1200)	MDB-CUT2
Stems cutting (for L1500)	MDB-CUT3

Be sure to specify the "fixture height" when ordering.
 Stems cutting length = fixture height
 Stems cutting range : 150 to 500mm
 In increments : 10mm

System Features

Point 01 Industry's thinnest $\Phi 12.2\text{mm}$ light emitting part



With a 12.2mm diameter, this is the most discreet form of linear showcase lighting. Since it is so compact, it does not obstruct the view, and it brightly illuminates with a high color rendering.

Point 02 Adjustable angle



The angle of the light emitting part can be adjusted by 60° left and right. Therefore, even if it is installed in the center of the case, the light can be directed to either the left or right side. Recommended for showcases where exhibits are frequently changed.

*As the fixture will be hot when it is on or immediately after it is turned off, please wear gloves before adjusting the angle.

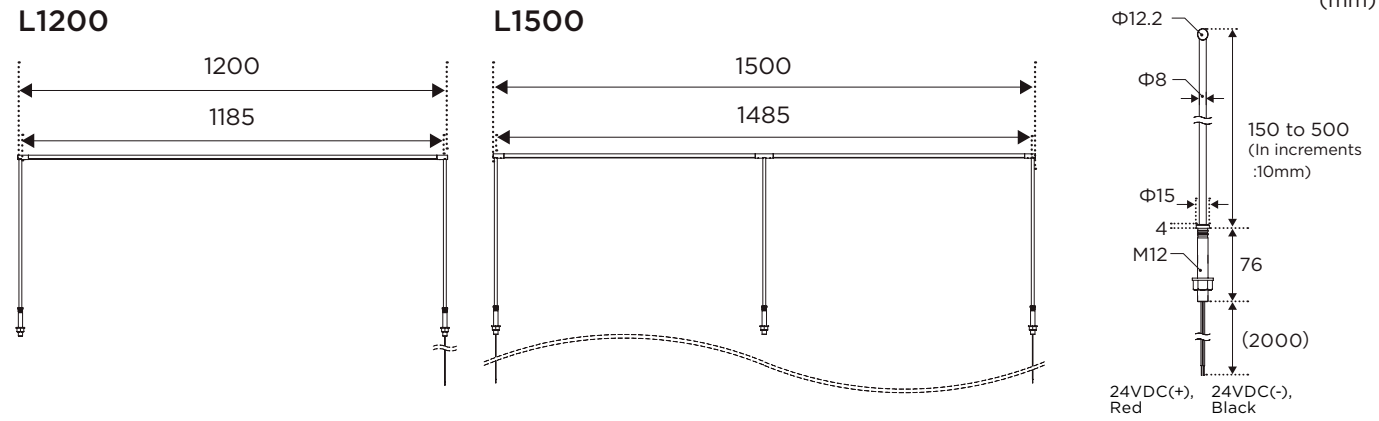
Point 03 Fixture lengths suitable for common showcases

Fixture lengths are available in 1200mm, which is suitable for a typical 1500mm width showcase, and 1500mm, which is suitable for a 1800mm width showcase. Each piece is cut to order, so you can specify the height to suit the showcase.

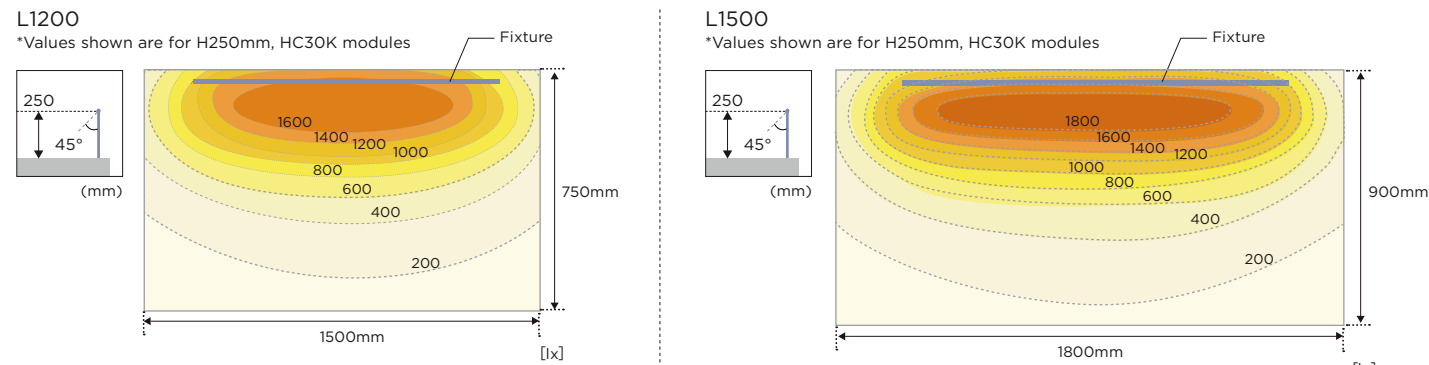


CG image

Specifications



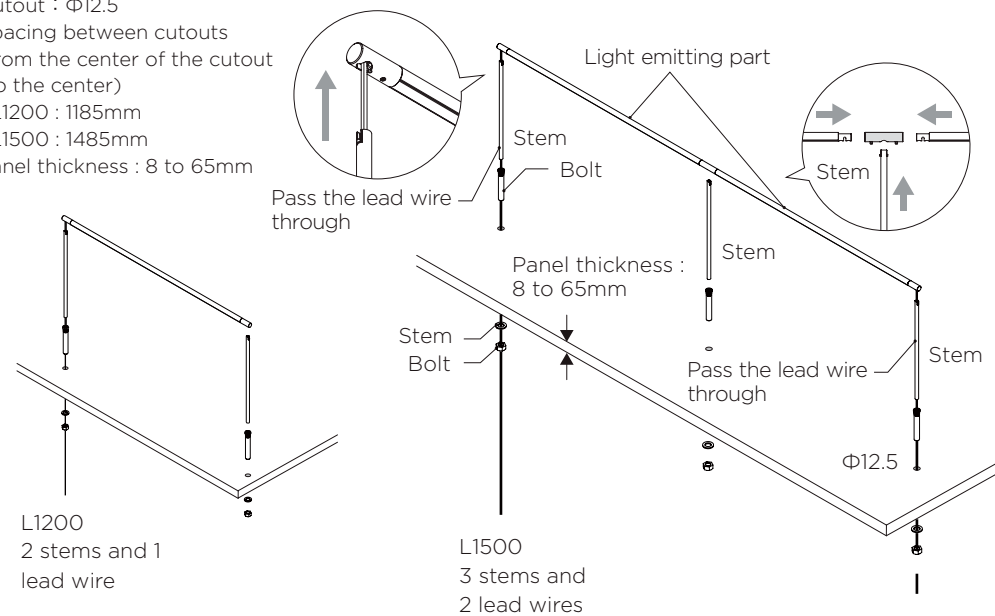
Light Distribution



*This is a reference image. When performing lighting simulations, please download and use the IES data for the color temperature used from our Tokistar website.

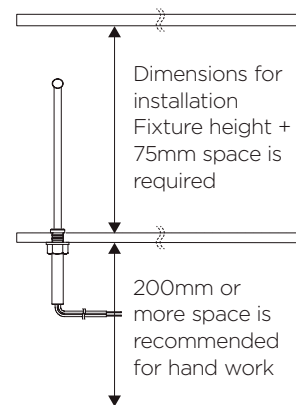
Instructions

Cutout : Φ12.5
Spacing between cutouts
(from the center of the cutout
to the center)
L1200 : 1185mm
L1500 : 1485mm
Panel thickness : 8 to 65mm



Dimensions for installation

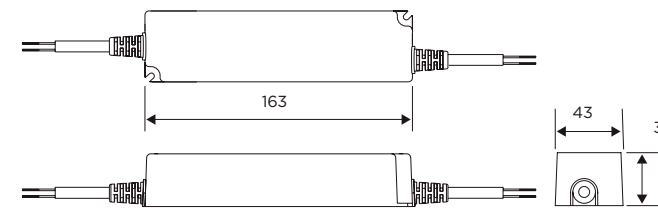
Fixture height + 75mm
space is required.



Power Supply

LDR24-40

Tokistar's LDR24-40 has a single 40 watt output.
(mm)



Specifications

Input Range : 100-240VAC
Frequency Range : 50/60 Hz
Output : 24VDC (+/- 4%)
Max. Output Current : 1.67A
Max. Output Power : 40W
Protection : Overload, Over Voltage,
Short Circuit, Over Temperature
Working Temperature : -30°C~+50°C

Mechanical Specifications

Weight : 440g
Enclosure Rating : Suitable for use in Dry,
Damp and Wet Locations/IP67 Rated
Mounting : Flange Mount

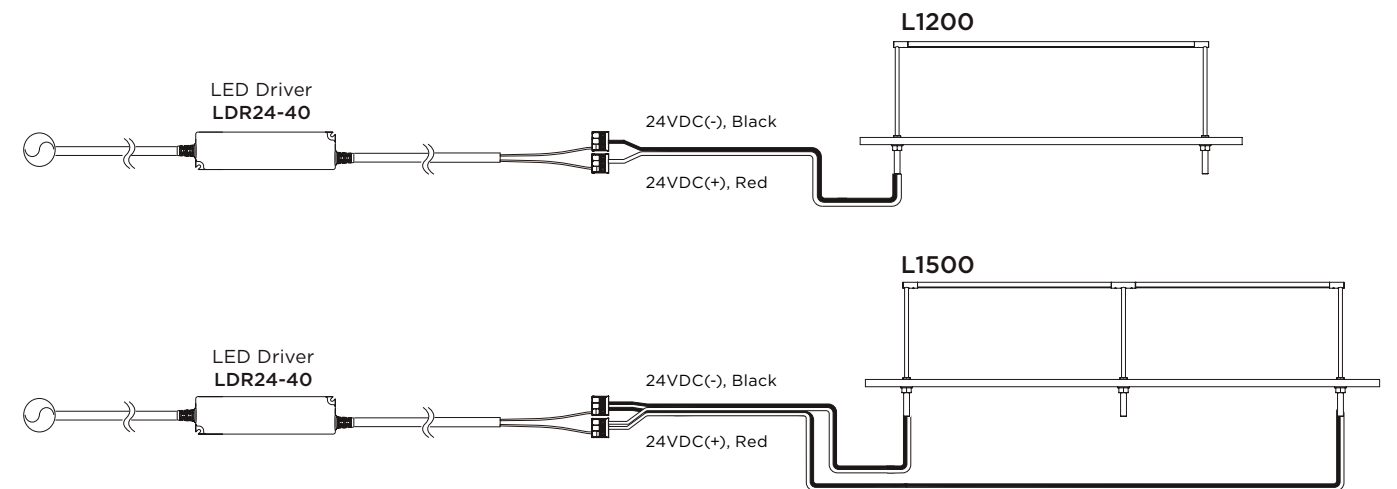
Safety Standards

UL8750, CSA C22.2 No. 250.0-08, ENEC
EN61347-1, EN61347-2-13 independent,
EN62384, IP67, J61347-1, J61347-2-13
approved;
Design refer to UL60950-1, TUV
EN60950-1

LED Module Capacity

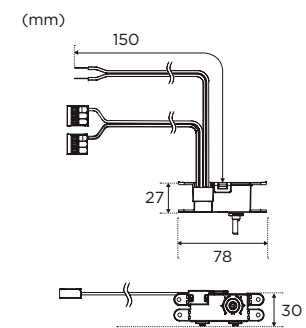
Micro Display Barlight : 1 each

Non-Dimming



Dimming

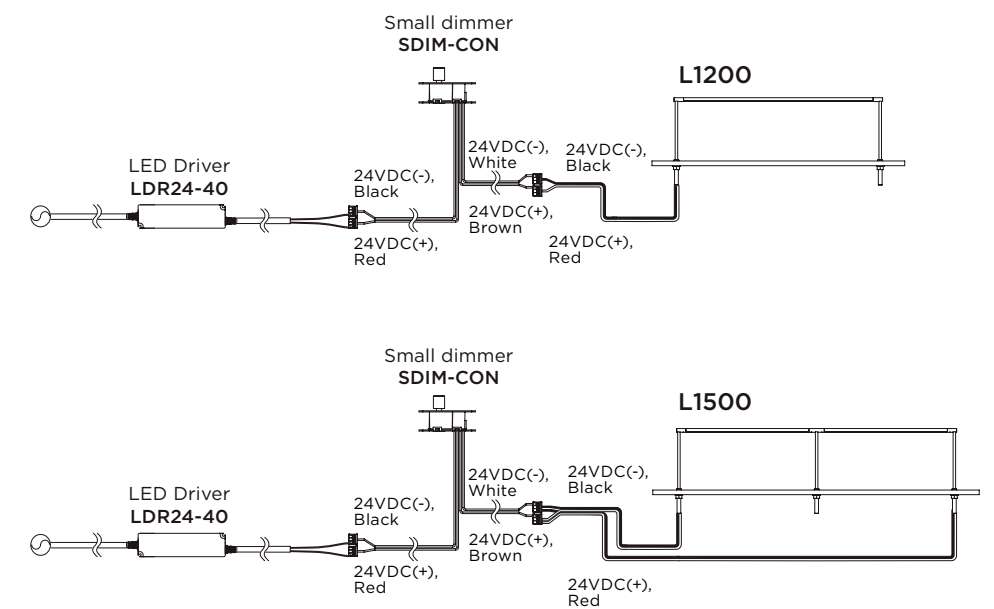
SDIM-CON



Resin knob
Φ13.5
Φ14
*Resin knob is included as standard.

Voltage : 5-24VDC
Max. Load : 5-24VDC 2A
Weight : 45g

Small dimmer | SDIM-CON



ORBIT STAND



INDOOR	24VDC 0-10V/1-10V	24VDC DMX
CRI95	CRI85	

Voltage = 24VDC
 Wattage = 1.7W/LED
 Main Materials = Aluminum, PC & PMMA
 Weight = 16g/LED
 Glare-cut Angle = 30°

OBS01- □□K- □□D-□

LED Color		Beam Angle	Module Color
CRI85	CRI95	16D : 16°	B : Black
27K : 2700K	HC27K	24D : 24°	S : Silver
30K : 3000K	HC30K	30D : 30°	
35K : 3500K	HC35K		
40K : 4000K	HC40K		
50K : 5000K	HC50K		

REQUIRED

Power stand	OB-STD24V-※(※Color : B, S)
*Please be sure to specify the length of the power stand when ordering. Depending on the installation method, the embedded length must be considered. Please check the dimensional drawing.	
Manufacturing range : 0.1m to 1.2m In increments : 0.1m (10cm)	
*If the stand length exceeds 0.6m, the fixture may sway due to vibrations from the motor or air conditioning. Please contact us for details.	
Stand lead processing	OB-SLC-※(※Color of Cover and Top Cap : B, S)
* 2m lead wire, Mount base, Cover and Top cap are included.	



CG image

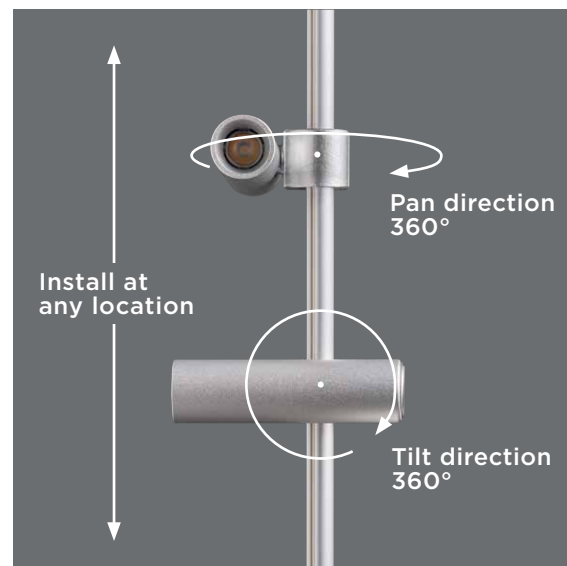
System Features

Point 01

Freely adjustable heights and directions



*If the stand length exceeds 0.6m, the fixture may sway due to vibrations from the motor or air conditioning. Please contact us for details.



LED modules may be positioned at any location on the stand, even when the light is on, it can be adjusted. Additionally, the pan and tilt directions can each be rotated 360°, allowing for free illuminating. The stand length can be specified between 0.1m and 1.2m.

System Features

Point 02

Easy On/Off dimming with our PTD (Press-to-Dim) Feature

You can easily turn on/off and dim each module (stepless dimming) by just pushing the fixture towards the power stand.

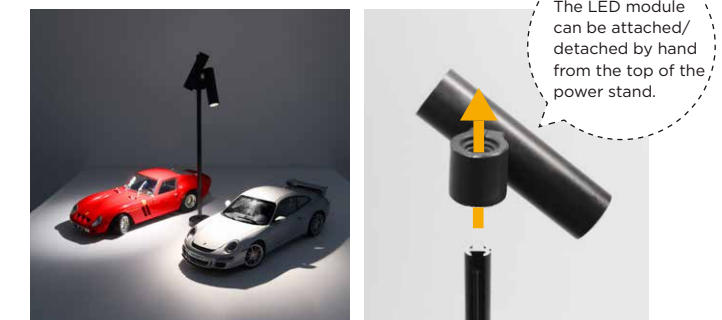


It is also possible to dim all the lights at once by using a dedicated dimmer unit. Since control is based on individually set dimming values, the overall brightness can be changed while maintaining the brightness ratio of each spotlight.

Point 03

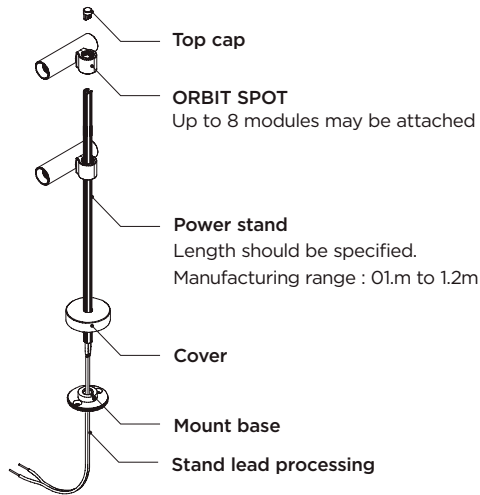
Easy to replace or add LED modules

1 to 8 LED modules may be attached to a single power stand. It is possible to illuminate multiple exhibits at the same time, or to illuminate an exhibit that tends to cast shadows from both the top and bottom. Even if the exhibition layout changes, LED modules can easily be replaced with different LED colors or beam angles, reduced or added, ensuring that the exhibits always receive the optimal light.



Product Components

Mount base, cover Top cap are included in Stand lead processing.



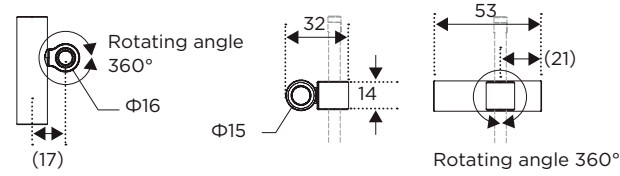
Light Distribution

All values shown are for 3000K modules
*The values in parentheses are CRI95, 3000K modules

	16D 87 lm(78 lm)	24D 86 lm(78 lm)	30D 72 lm(58 lm)
100	Φ30 56184(27326)	Φ50 29172(13379)	Φ60 18676(8354)
200	Φ60 14046(6832)	Φ100 7293(3345)	Φ110 4669(2089)
300	Φ90 6243(3036)	Φ150 3241(1487)	Φ170 2075(928)
400	Φ120 3512(1708)	Φ200 1823(836)	Φ230 1167(522)
500	Φ140 2247(1093)	Φ250 1167(535)	Φ280 747(334)
[mm]	[lx]		

Specifications

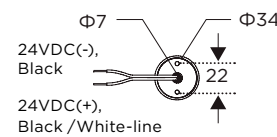
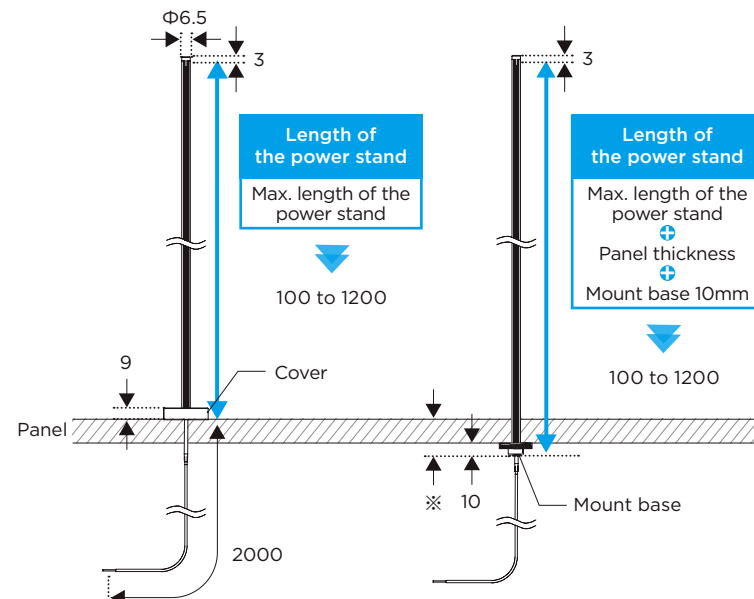
(mm)



Length of the power stand can be adjusted on site.

Fixed from the front side

Fixed from the back side



When fixing the mount base from the back side, please specify the length of the power stand considering the panel thickness and mount base height 10mm.

Power Supplies & Dimmer Packs

24VDC Drivers

LDR24-16

Specifications
Max. Output Current : 0.67A
Max. Output Power : 16W
Protection: Overload, Over Voltage, Short Circuit, Over Temperature
Working Temperature : -30°C~+50°C

Mechanical Specifications

Dimensions : W40 x L150 x H33mm
Weight : 210g
Enclosure Rating : Suitable for use in Dry and Damp Locations/IP30 Rated
Mounting : Flange Mount

LED Module Capacity

OBS LED module : 6 each

LDR24-25

Specifications
Max. Output Current : 1.05A
Max. Output Power : 25W
Protection: Overload, Over Voltage, Short Circuit, Over Temperature
Working Temperature : -30°C~+50°C

Mechanical Specifications

Dimensions : W40 x L150 x H33mm
Weight : 360g
Enclosure Rating: Suitable for use in Dry, Damp and Wet Locations/IP67 Rated
Mounting : Flange Mount

LED Module Capacity

OBS LED module : 9 each

LDR24-40

Specifications
Max. Output Current : 1.67A
Max. Output Power : 40W
Protection: Overload, Over Voltage, Short Circuit, Over Temperature
Working Temperature : -30°C~+50°C

Mechanical Specifications

Dimensions : W43 x L163 x H33mm
Weight : 440g
Enclosure Rating : Suitable for use in Dry, Damp and Wet Locations/IP67 Rated
Mounting : Flange Mount

LED Module Capacity

OBS LED module : 15 each

Common Specifications

Input Range : 100-240VAC
Frequency Range : 50/60 Hz
Output : 24VDC (+/- 4%)

LDR24-16 Safety Standards

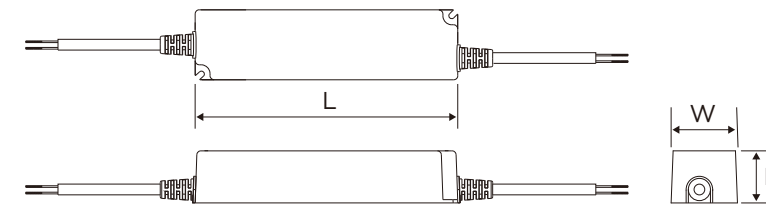
UL8750, CSA C22.2 No. 250.0-08, EN61347-1, EN61347-2-13 independent, EN62384, J61347-1, J61347-2-13 approved, Design refer to UL60950-1, TUV EN60950-1

LDR24-25 Safety Standards

UL8750, CSA C22.2 No. 250.0-08, EN61347-1, EN61347-2-13 independent, EN62384, J61347-1, J61347-2-13 approved, IP67 approved, Design refer to UL60950-1, TUV EN60950-1

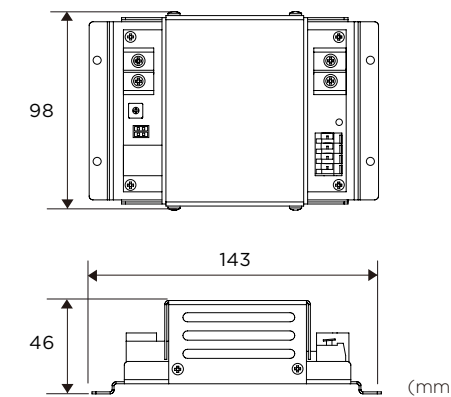
LDR24-40 Safety Standards

UL8750, CSA C22.2 No. 250.0-08, ENEC EN61347-1, EN61347-2-13 independent, EN62384, J61347-1, J61347-2-13 approved, Design refer to UL60950-1, TUV EN60950-1



Dimmer Packs

LC-OB-DIM



Technical Specifications

Voltage : 24VDC
Max. Load : DC24V 5A
Weight : 350g

LC-1CH-MULTI

Tokistar's LC-1CH-MULTI Dimmer Pack is compatible with industry-standard dimmers working on DMX or 0-10V/1-10V protocol. In the manual mode, a preset light level can be set without the use of an external dimmer.



Technical Specifications

Max. Load : 96W @ 24VDC
Environmental Rating : Dry Location/IP20
Dimensions : W40 x L90 x H20mm
Weight : 50g
Listing : ETL Listed/CE Certified
Operating Temperature : 0~+50°C

DMX Mode

In this mode, dimmer packs are addressable and may be used with any controller working on DMX protocol. Up to 36 dimmer packs may be connected in series. For applications exceeding 36 dimmer packs, a splitter is required. Consult factory on details of DMX Splitters.

Analog Mode 0-10/1-10VDC

For operation from devices using 0-10/1-10VDC protocol, up to 10 dimmer packs may be connected in series. For applications exceeding 10 dimmer packs, an additional feed from the analog dimming device is required.

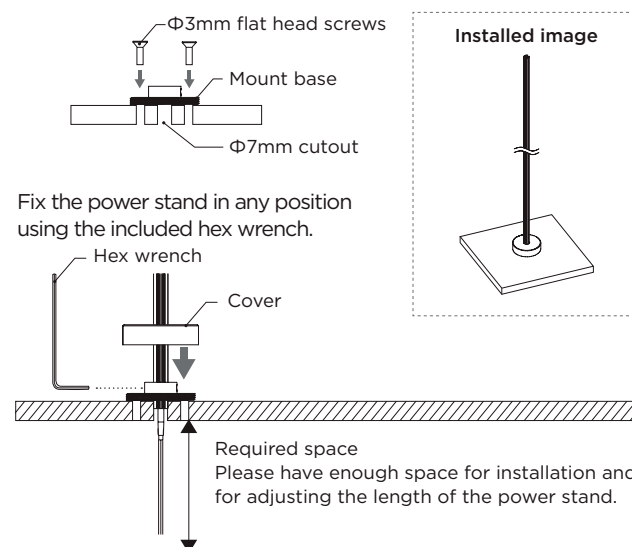
Manual Mode

You may select a light intensity at which the fixtures operate. In this case, no external dimming device is required.

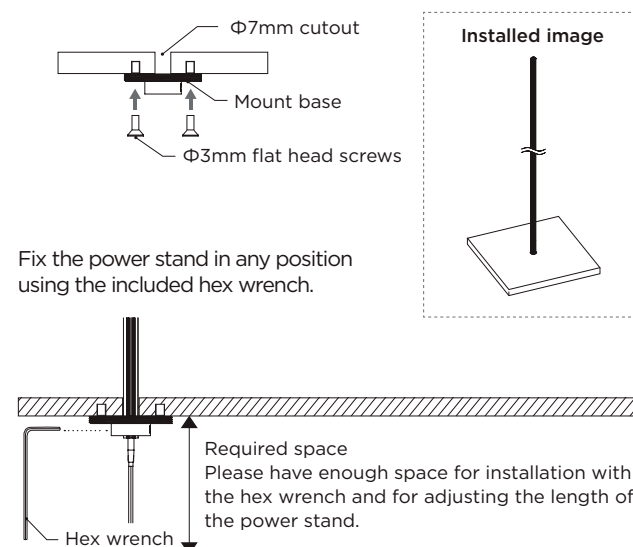
Instructions

The mount base can be fixed from the front side or from the back side.

Fixed from the front side

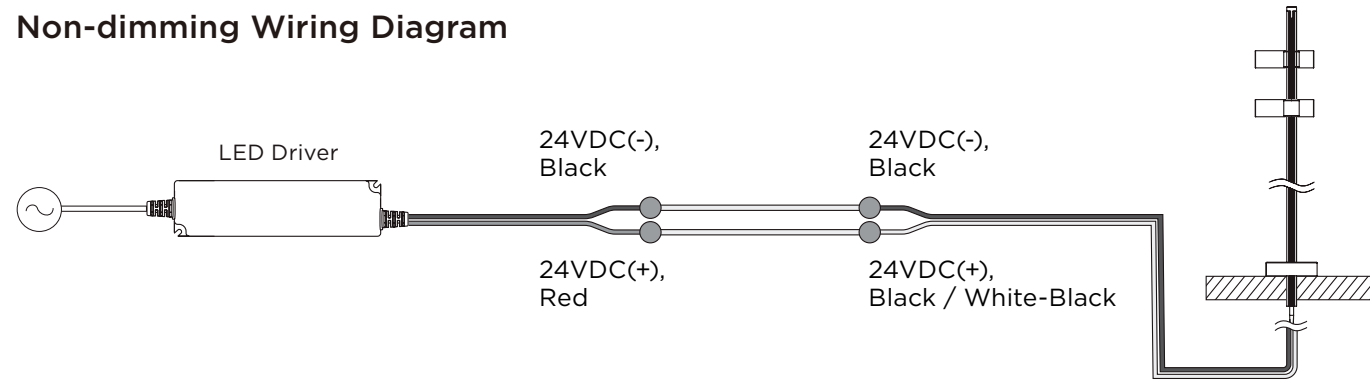


Fixed from the back side



Wiring Diagram

Non-dimming Wiring Diagram

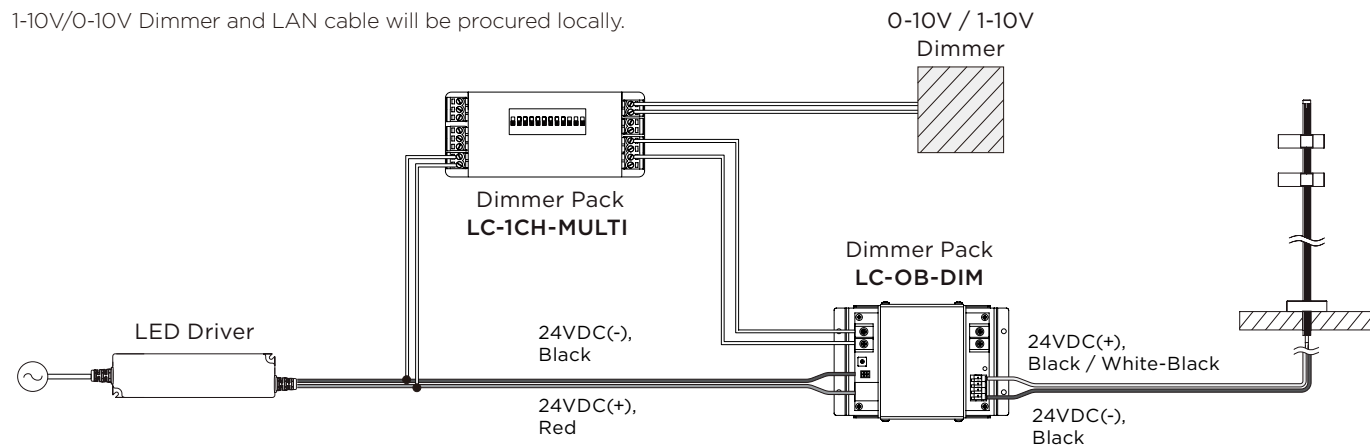


Dimming Wiring Diagrams

Even when not dimming the entire lights, it is possible to dim each LED module individually by pushing it towards the power stand.

0-10V/1-10V Dimming

1-10V/0-10V Dimmer and LAN cable will be procured locally.



DALI Dimming

DALI Controller, DALI to PWM Converter and LAN cable will be procured locally.

