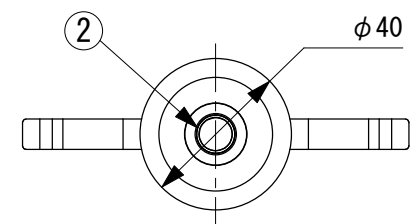
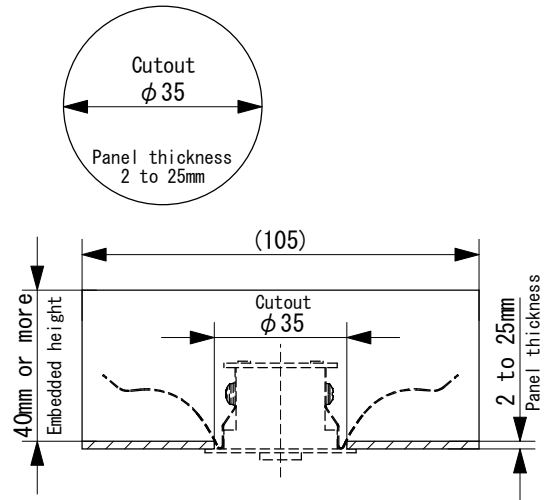


Power supplies are not included (sold separately).

Specifications	
- Voltage	: 24VDC
- Wattage	: 2.6W
- LED Color	: 2700K (27K, HC27K) 3000K (30K, HC30K) 3500K (35K, HC35K) 4000K (40K, HC40K) 5000K (50K, HC50K)
- CRI	: 85 (Standard) 95 (HC, High color rendering)
- Beam Angle	: 16° (16D) 24° (24D) 30° (30D)
- Body Color	: Black (B) White (W) Silver (S)
- Weight	: 50g (Main unit) 100g (incl. Control Circuit)



P/N configuration:
MDL02 - 30K - 30D - B
 LED Color Beam Angle Body Color

No.	Parts 部品	Material 材料	Memo 備考
6			
5			
4			
3	Control circuit		L46×W15×H11
2	Eyeball	Aluminum	
1	Body	Aluminum	

Date 日付	2022/3/7	Scale 縮尺	1:2
Draft 製図	Y. Terabe	Weight 重量	100g
Check 検図	T. Inaba	Unit 単位	mm
Approve 承認	C. Ishibiki	Size 用紙	A4

Title 名称 Micro Downlight Standard

Product No. 製品番号 MDL02- K- D-
LED Color Beam Angle Body Color

TOKI CORPORATION
 トキ・コーポレーション株式会社