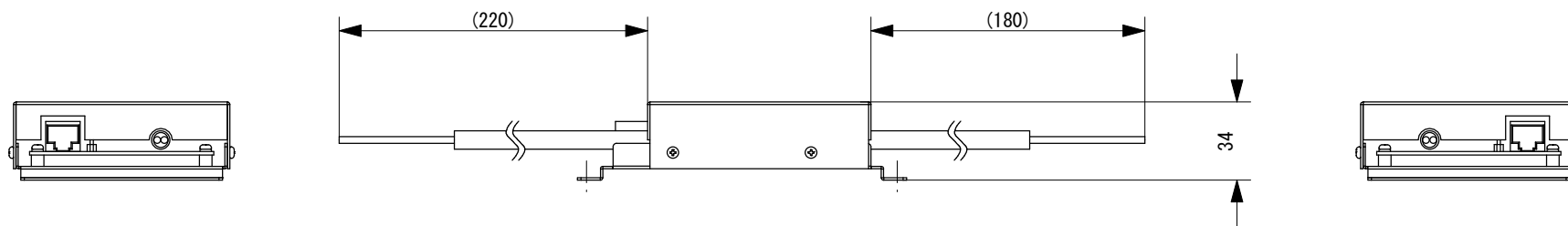
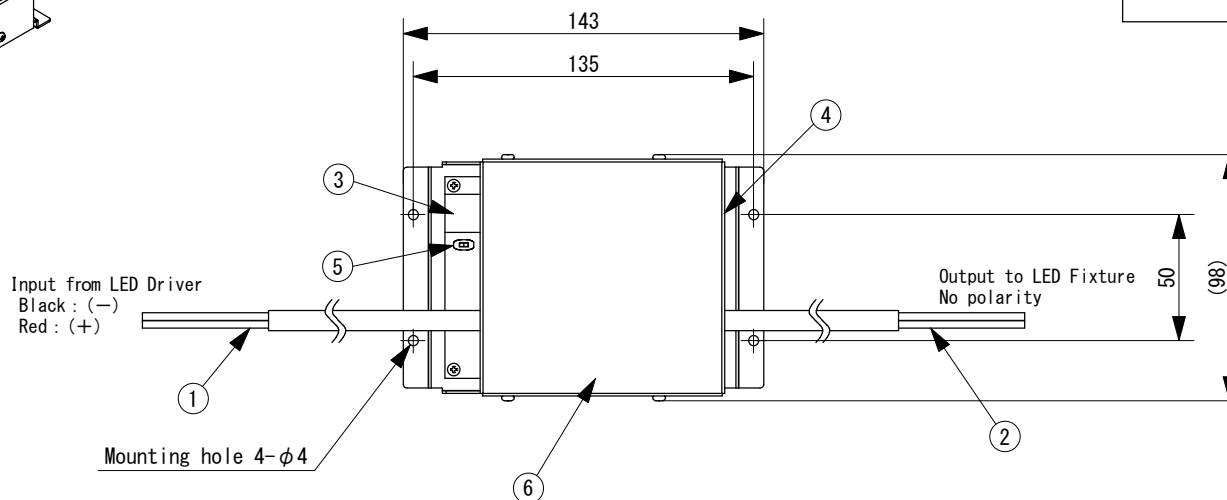
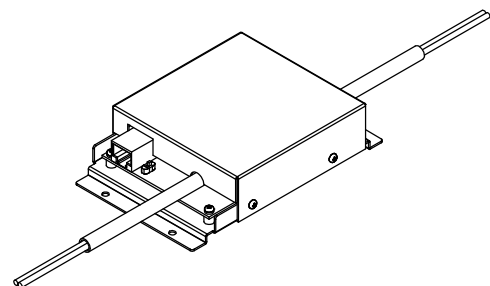


SPECIFICATION	
Input	: 24VDC, 5A
Output	: 24VAC, 5A
Ambient temp.	: 0-40°C (Indoor only)



- \* The power input of this product has + and - polarity. Never reverse-connect the power supply to avoid malfunction.
- \* Never connect or disconnect wiring or connectors with live wires, as this may result in malfunction.
- \* Turn the termination switch ON only when this product is the end of the signal feed wiring.

6	Case	SPC	Black paint
5	Termination switch		
4	Connector to signal output		RJ45 CAT5e LAN cable
3	Connector to signal input		RJ45 CAT5e LAN cable
2	Output cable	PVC	AWG16×2 Brown and Blue
1	Input cable	PVC	AWG16×2 Red and Black
No.	Parts 部品	Material 材料	Memo 備考

Date 日付 2022. 7. 29  
 Draft 製図 K. Otani  
 Check 検図 T. Inaba  
 Approve 承認 C. Ishibiki

Scale 縮尺 1:3  
 Weight 重量 340g  
 Unit 単位 mm  
 Size 用紙 A4

Title 名称 Sub unit of DC-AC inverter

Product No. 製品番号 LC-DCAC-S

