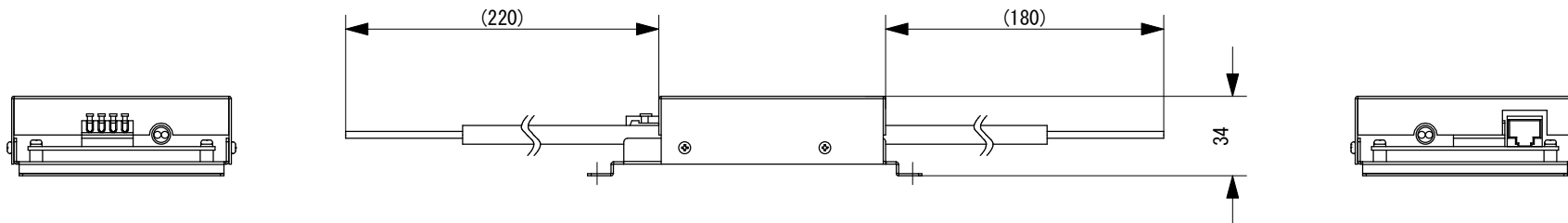
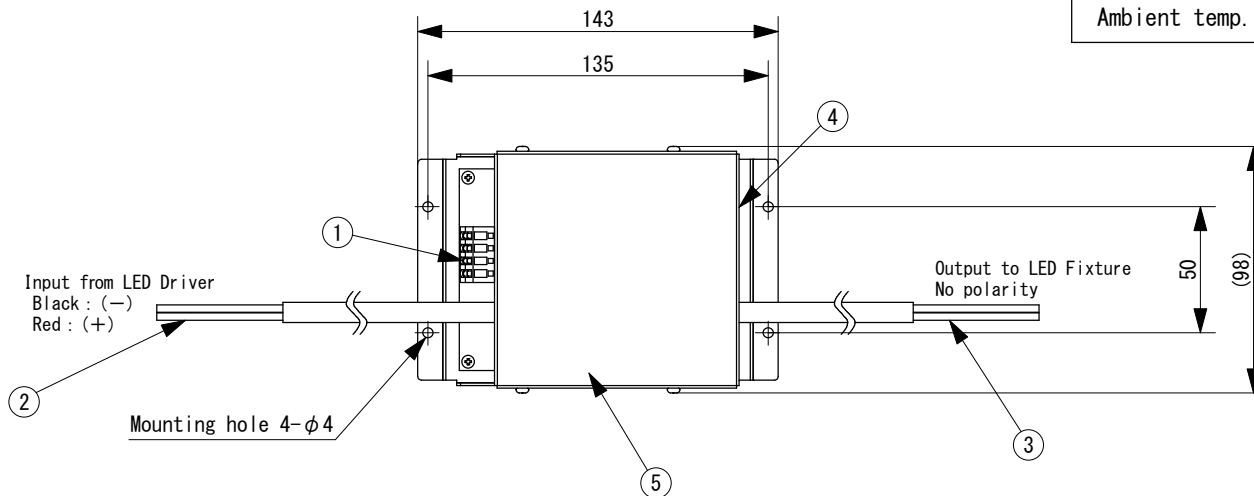
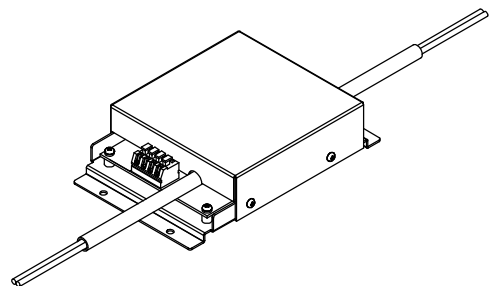


SPECIFICATION	
Input	: 24VDC, 5A
Output	: 24VAC, 5A
Dimming	: PWM (Positive-logic)
Ambient temp.	: 0-40°C (Indoor only)



\* The power input of this product has + and - polarity. Never reverse-connect the power supply to avoid malfunction.  
 \* Never connect or disconnect wiring or connectors with live wires, as this may result in malfunction.

5	Case	SPC	Black paint
4	Connector to LC-DCAC-S		RJ45 CAT5e LAN cable
3	Output cable	PVC	AWG16×2 Brown and Blue
2	Input cable	PVC	AWG16×2 Red and Black
1	Terminal for PWM input		Solid wire AWG28-14 (0.3-1.6mm) Standed wire AWG24-16
No.	Parts 部品	Material 材料	Memo 備考

Date 日付	2022. 7. 29
Draft 製図	K. Otani
Check 検図	T. Inaba
Approve 承認	C. Ishibiki


Scale 縮尺	1:3
Weight 重量	350g
Unit 単位	mm
Size 用紙	A4

**Title** 名称 Main unit of DC-AC inverter

---

**Product No.** 製品番号 LC-DCAC-M

---



**TOKI CORPORATION**  
トキ・コーポレーション株式会社