

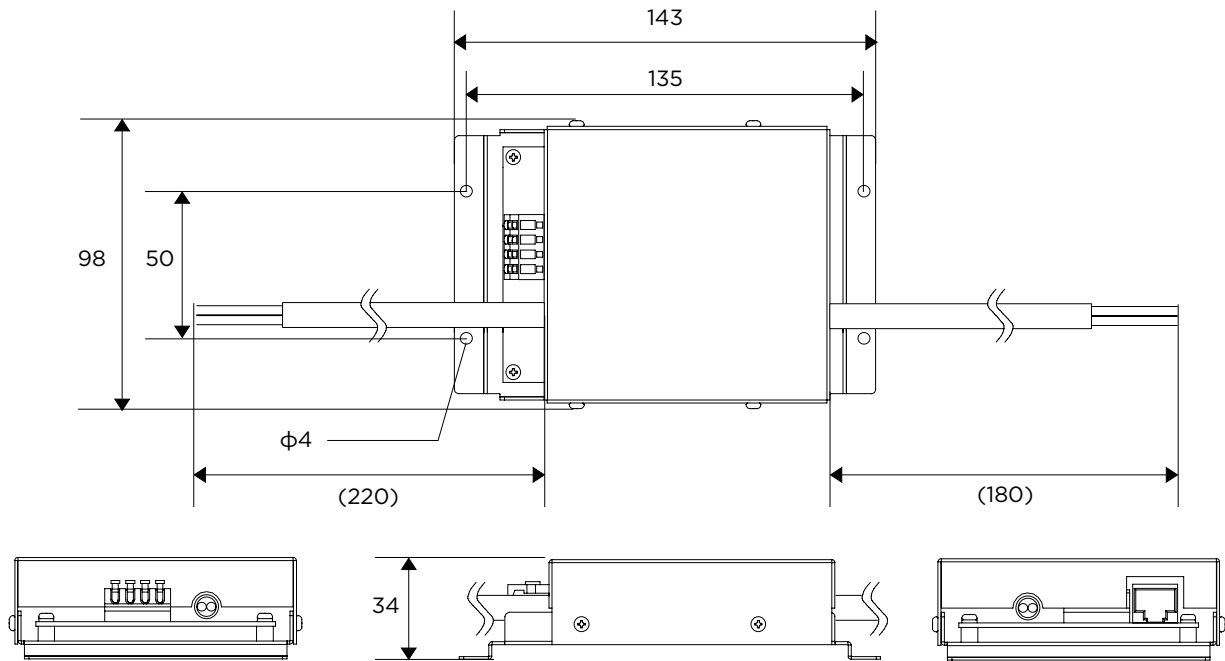
USER'S MANUAL

LC-DCAC-M

Main unit of DC-AC inverter

Thank you very much for your purchase of TOKISTAR products.
 To ensure safe use of this product, be sure to read this user's manual before use.
 Be sure to keep this manual.

SPECIFICATIONS (mm)



Input	24VDC, 5A
Output	24VAC, 5A

Environmental Rating	Indoor only
Weight	350g
Operating Temperature	0-+40°C

Please read before use

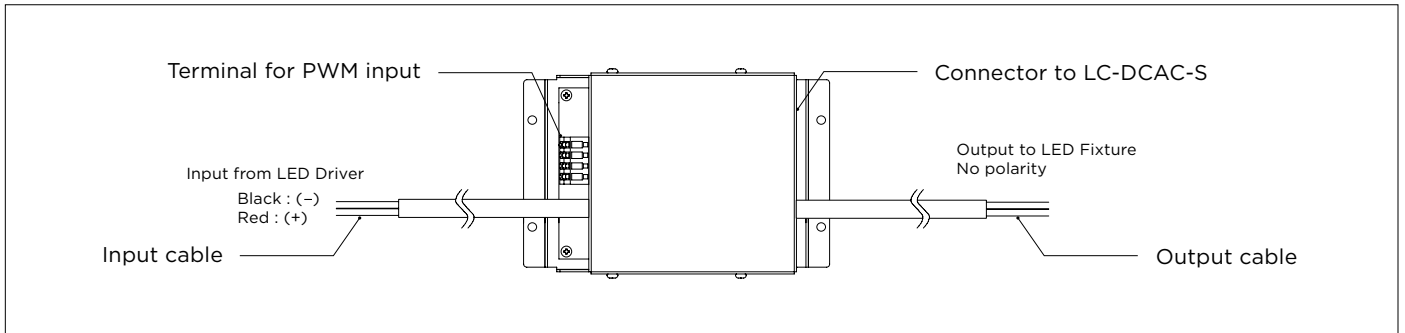
- Please make sure that the type and quantity of the product matches the information in the shipping instructions.
- The product is carefully packed at the time of shipment, but please inform us immediately if the product is damaged when you open the package.



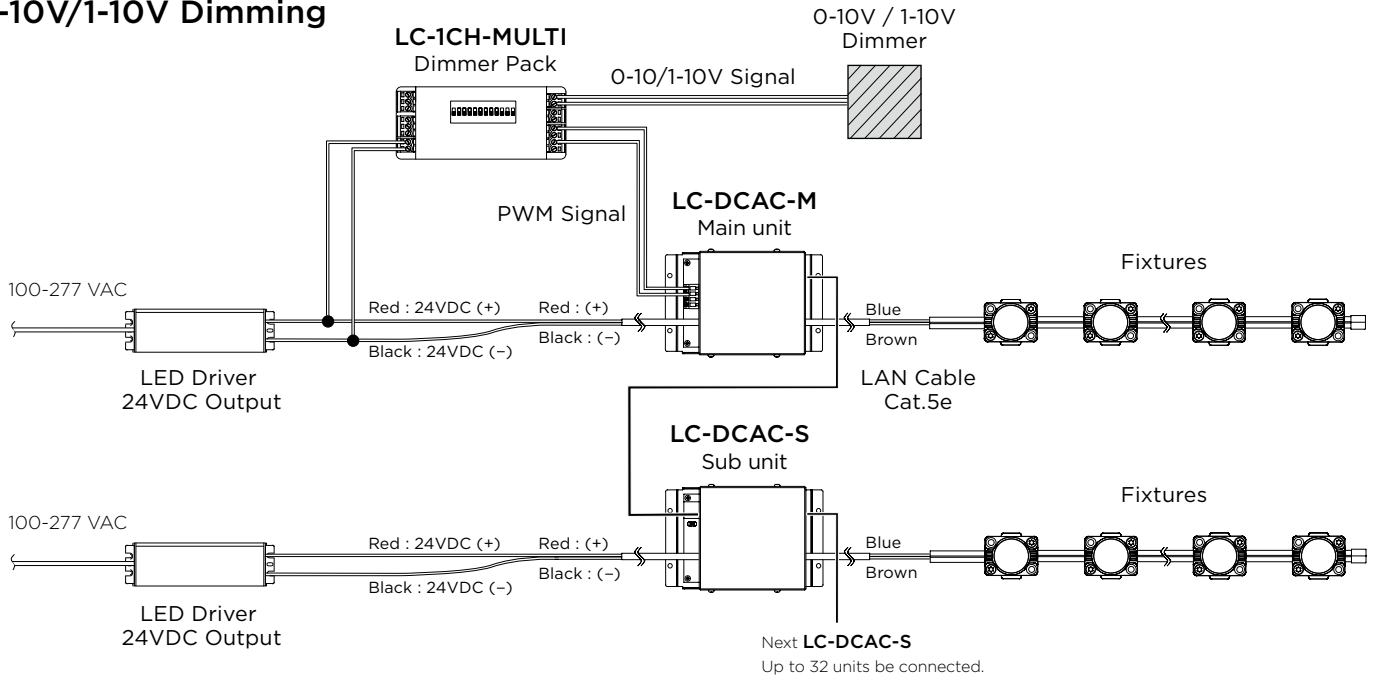
PRECAUTIONS

1. Read all instructions completely before beginning installation.
2. Turn off electricity before beginning installation.
3. All wiring is to be performed by a qualified electrician.
4. Installation must comply with the National Electrical Code, or all applicable codes.
5. Turn main supply to LED Driver on only after all connections have been made and tested.
6. The converter is for dry location only. It must be installed within an enclosure suitable for the environment.

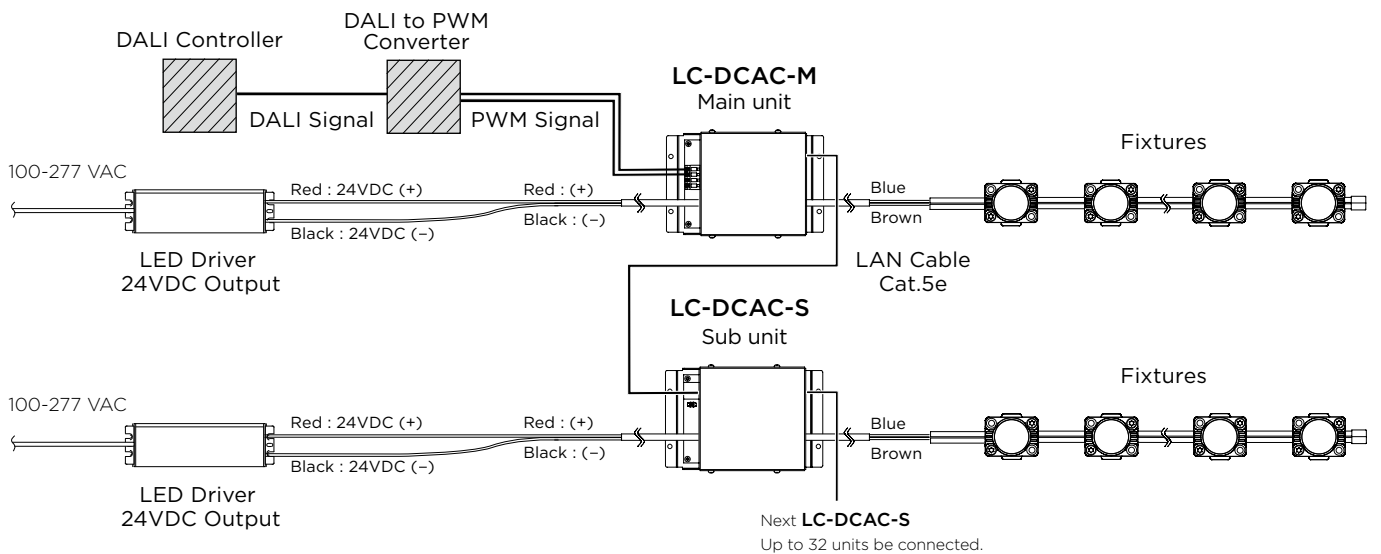
Connection to each device



0-10V/1-10V Dimming



DALI Dimming



2022.10.5