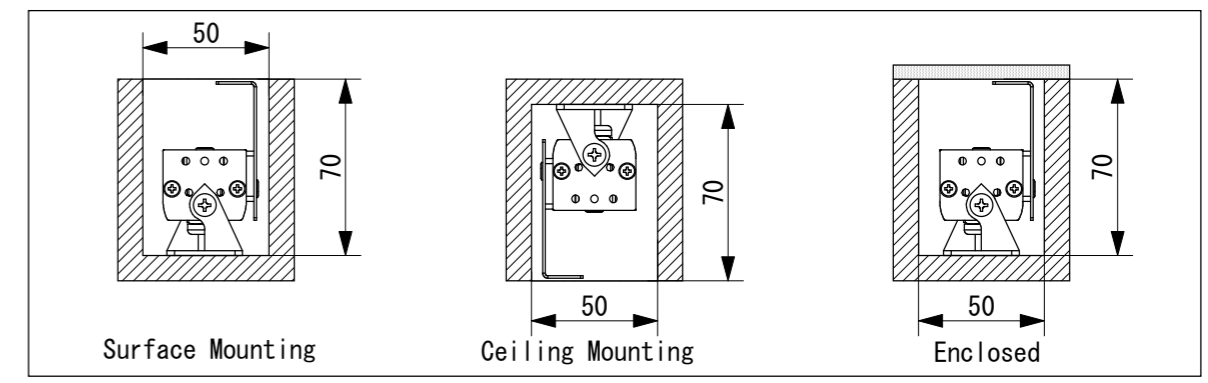
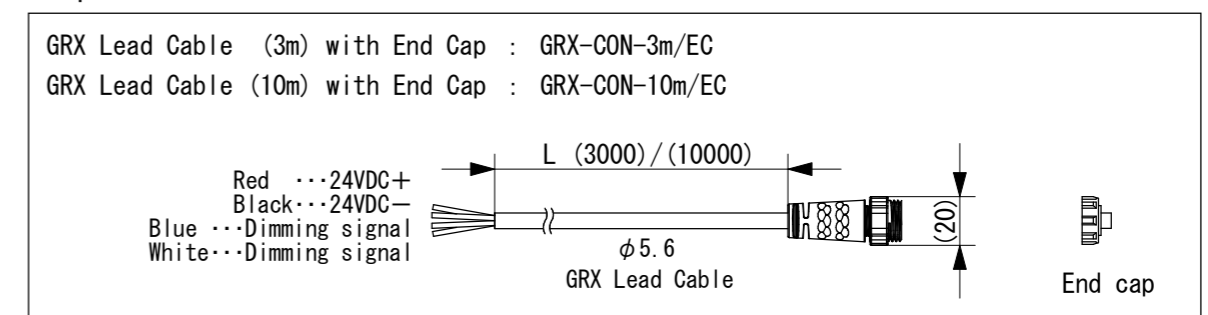


When tilting an extrusion 90°, the minimum installation space is shown above and offset the center axis of the fixture installation by about 14mm.

■ Minimum installation space



■ Option



Specifications				
• LED spacing	: 75mm			
• Color temperature	: 30K (3000K) 40K (4000K)			
• Beam angle	: 15D (15°) SP (Spread/40° x 15°) 08D (8°, custom)			
• CRI	: 85			
• IP rating	: IP66			

Length (mm)	Number of LEDs	Voltage (VDC)	Power consumption (W)	Weight (g)
L300	4	24	12	620
L600	8		24	1200
L900	12		36	1800

※ DC power supply for LEDs is required. (LDR24-96)
 ※ Make sure that the waterproof connectors are clean and free of foreign matter.
 Please tighten the connectors well till the last for no slack.
 ※ Be sure to attach the waterproof End Cap to the last fixture in series.
 ※ When extending the GRX Lead Cables, be sure to perform waterproofing and insulation treatment as a whole.
 ※ The feed connection can be up to 2.4m (4A@24VDC/output) for the total length of the fixtures, when installed without any gaps.
 When the lighting fixtures are spaced apart from each other, the number of connectable devices will vary depending on the voltage drop.
 Please contact us for details.

No.	Parts 部品	Material 材料	Memo 備考
7	L-Guard	SUS	Surface treatment:Black paint
6	Power cable with Connector (output)	PVC/PA6	
5	Power cable with Connector (input)	PVC/PA6	
4	LED Lens Cover	PC	
3	Mounting Bracket	SUS	Surface treatment:Black paint
2	Cover	AL	Surface treatment:Black paint
1	Extrusion	AL	Surface treatment:Black paint

Date 日付	2022/3/15	Scale 縮尺	1:3
Draft 製図	Terabe	Weight 重量	***
Check 検図	Inaba	Unit 単位	mm
Approve 承認	Ishibiki	Size 用紙	A3

Title 名称 GRADIENT OUTDOOR with L-Guard

Product No. 製品番号 GRX02L- K- D-L
 Color temp. Lens Length

TOKI CORPORATION
 トキ・コーポレーション株式会社