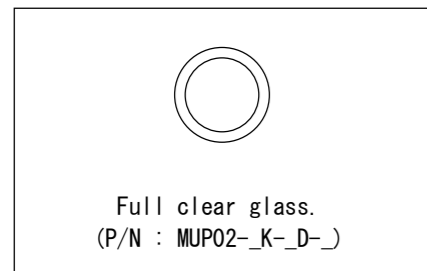
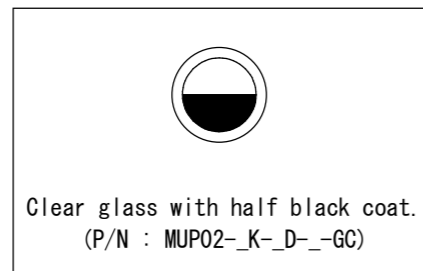


■ Lens cover (scale 1:2)

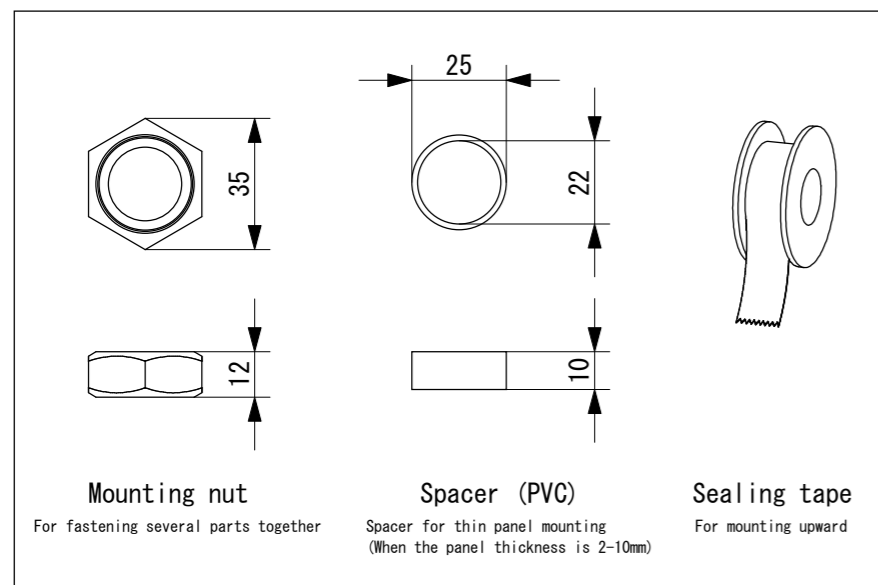
Standard cover



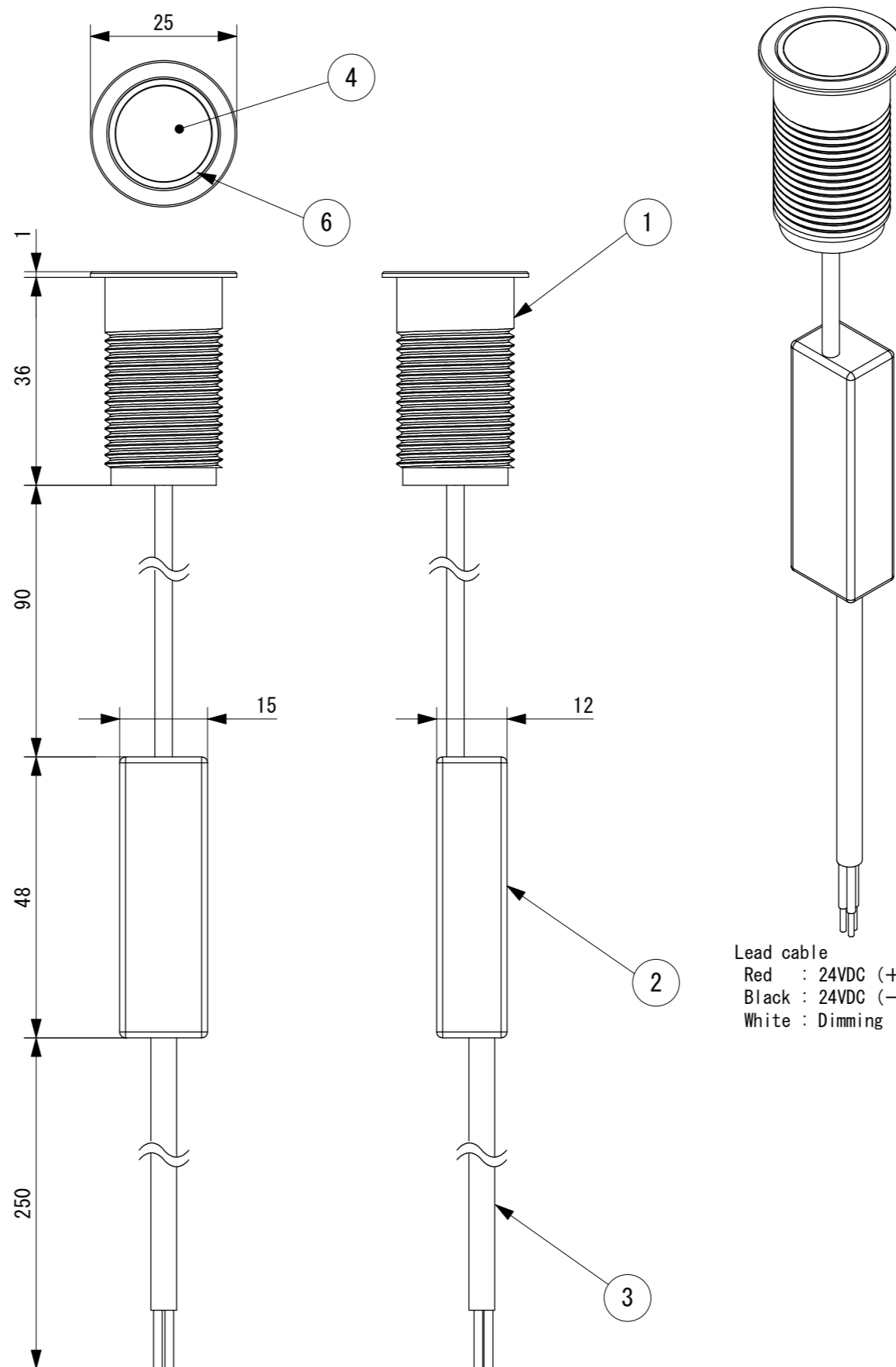
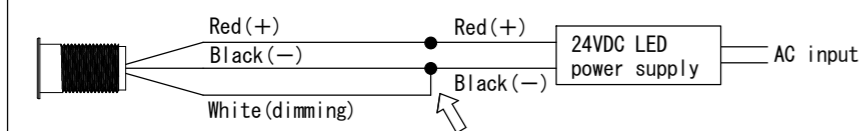
Glare-cut cover



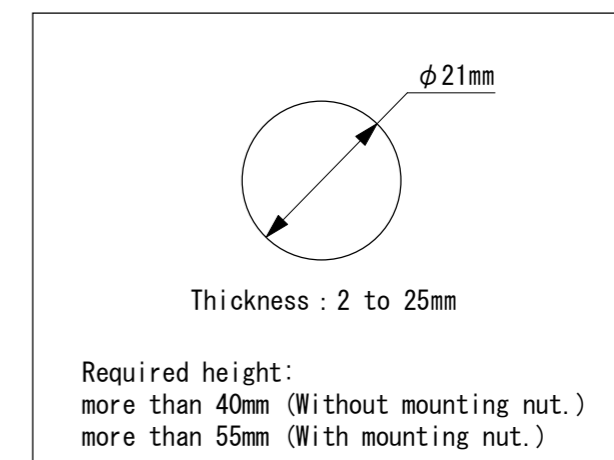
■ Accessories (Scale : 1:2)



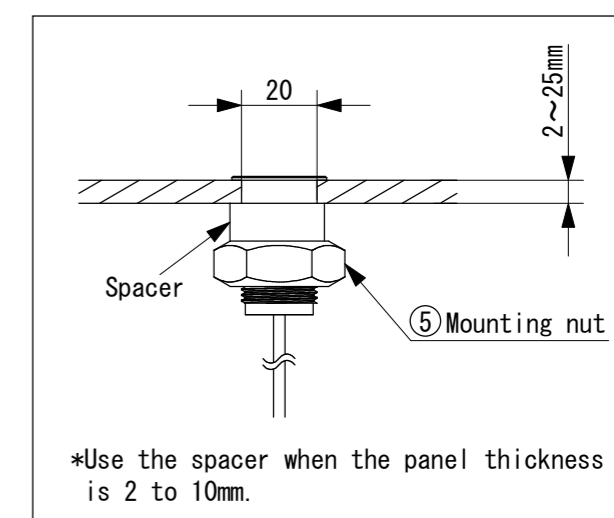
In case of non-dimming wiring :
Connect the white wire (dimming) to the black wire (-).



■ Cutout dimension



■ Installation (Scale : 1:2)



Specifications

- Voltage : 24VDC
- Wattage : 2.6W
- Color temp. : 2700K (27K)
3000K (30K)
3500K (35K)
4000K (40K)
- Beam angle : 16° (16D)
24° (24D)
- CRI : 85
- Body color : Black (B), Silver (S)
- * For Indoor Use

No.	Parts 部品	Material 材料	Memo 備考
6	Cone	AL	Glareless cone
5	Mounting nut	Iron	
4	Lens cover	Tempered glass	t=3.0mm
3	Lead cable	PVC	φ4.4 (AWG21×3C)
2	Control circuit	PA	
1	Body	AL	Alumite finish

Date 日付 2019.10.8
Draft 製図 Y. Terabe
Check 検図 T. Inaba
Approve 承認 C. Ishibiki

Scale 縮尺 1:1
Weight 重量 40g
Unit 単位 mm
Size 用紙 A3

Title 名称 Micro Up Light
Product No. 製品番号 MUP02-K-D-
Color temp. Beam angle Body color Glare-cut cover
TOKI CORPORATION
トキ・コーポレーション株式会社