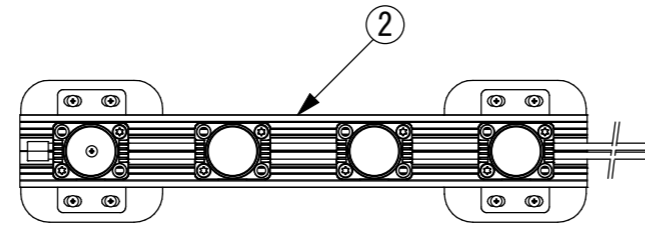
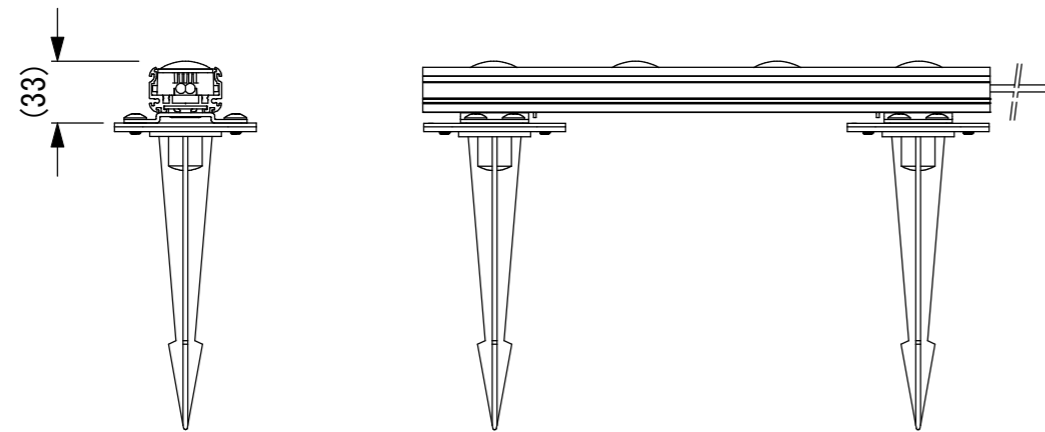


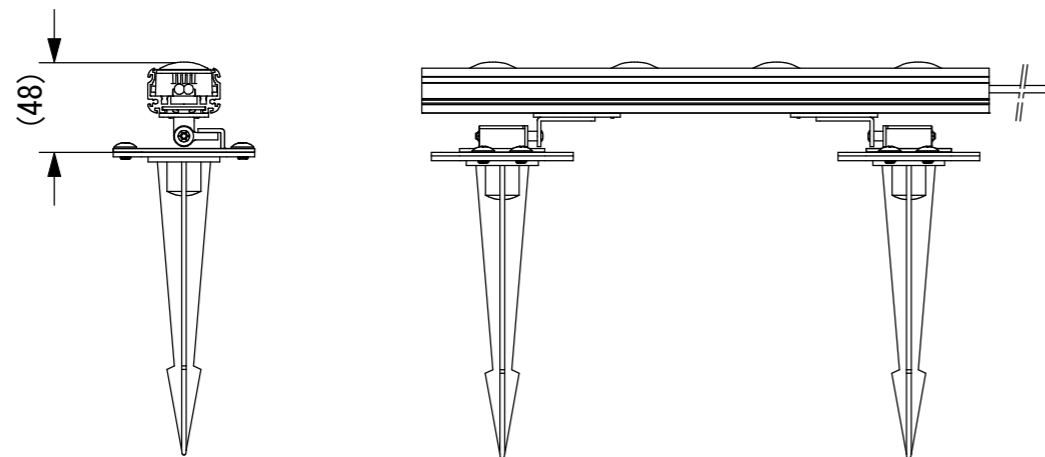
Reference drawing, when the stakes are attached to Reveler CX. (Scale 1:3)



With the Fixed Brackets



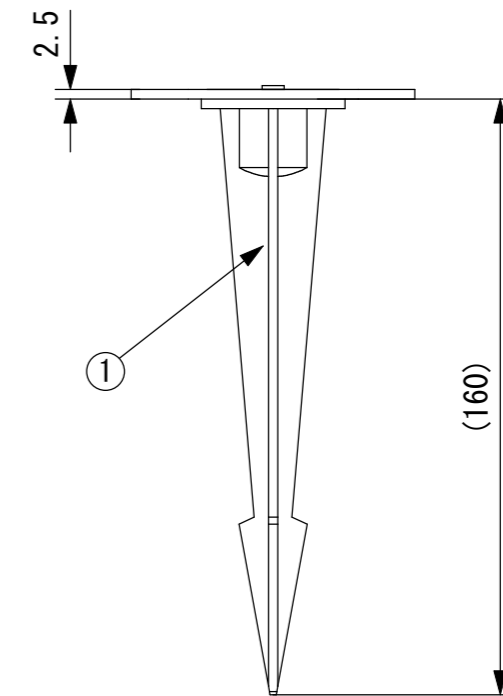
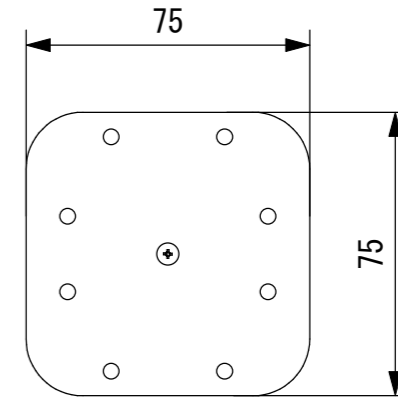
With the Adjustable Brackets



RWCX-SPI2-OP


Components

- Stakes (2pcs)
- Mounting Screws (8pcs)



*For details of the Reveler fixture, please refer to the Reveler CX spec sheet.
 *At the time of shipment, the stakes are not attached to the Brackets. Follow the instructions in the instruction manual and install with the included screws.

5			
4			
3			
2	REVELER CX	AL	RWCX02
1	REVELER CX STAKES		Stake part : Aluminum die-cast, Ruspert treated Plate part : SUS
No.	Parts 部品	Material 材料	Memo 備考

Date 日付	2018. 11. 8	Scale 縮尺	1:2	Title 名称	REVELER CX STAKES
Draft 製図	Inaba	Weight 重量	145g/pc	Product No. 製品番号	RWCX-SPI2-OP
Check 検図	Ishikawa	Unit 単位	mm	 TOKI CORPORATION トキ・コーポレーション株式会社	
Approve 承認	Ishibiki	Size 用紙	A3		