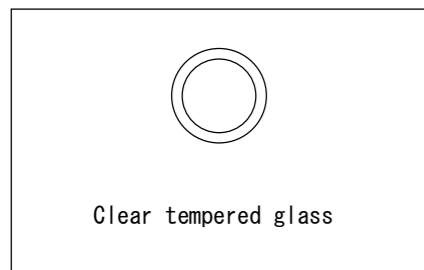
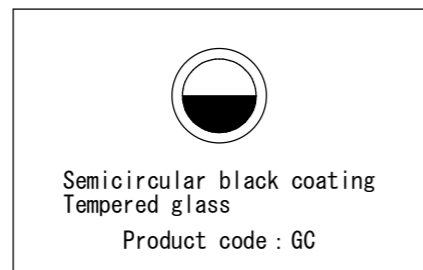


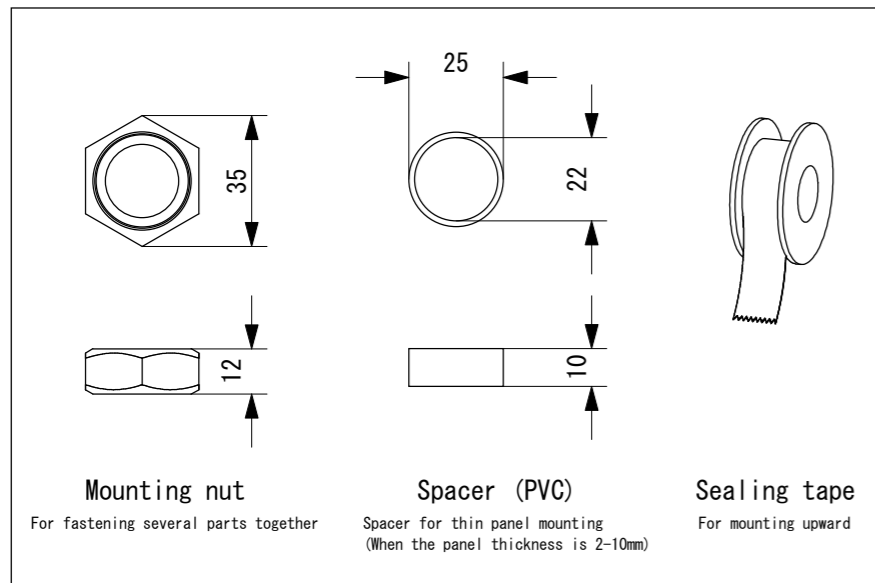
Standard



Option:Glare-cut glass



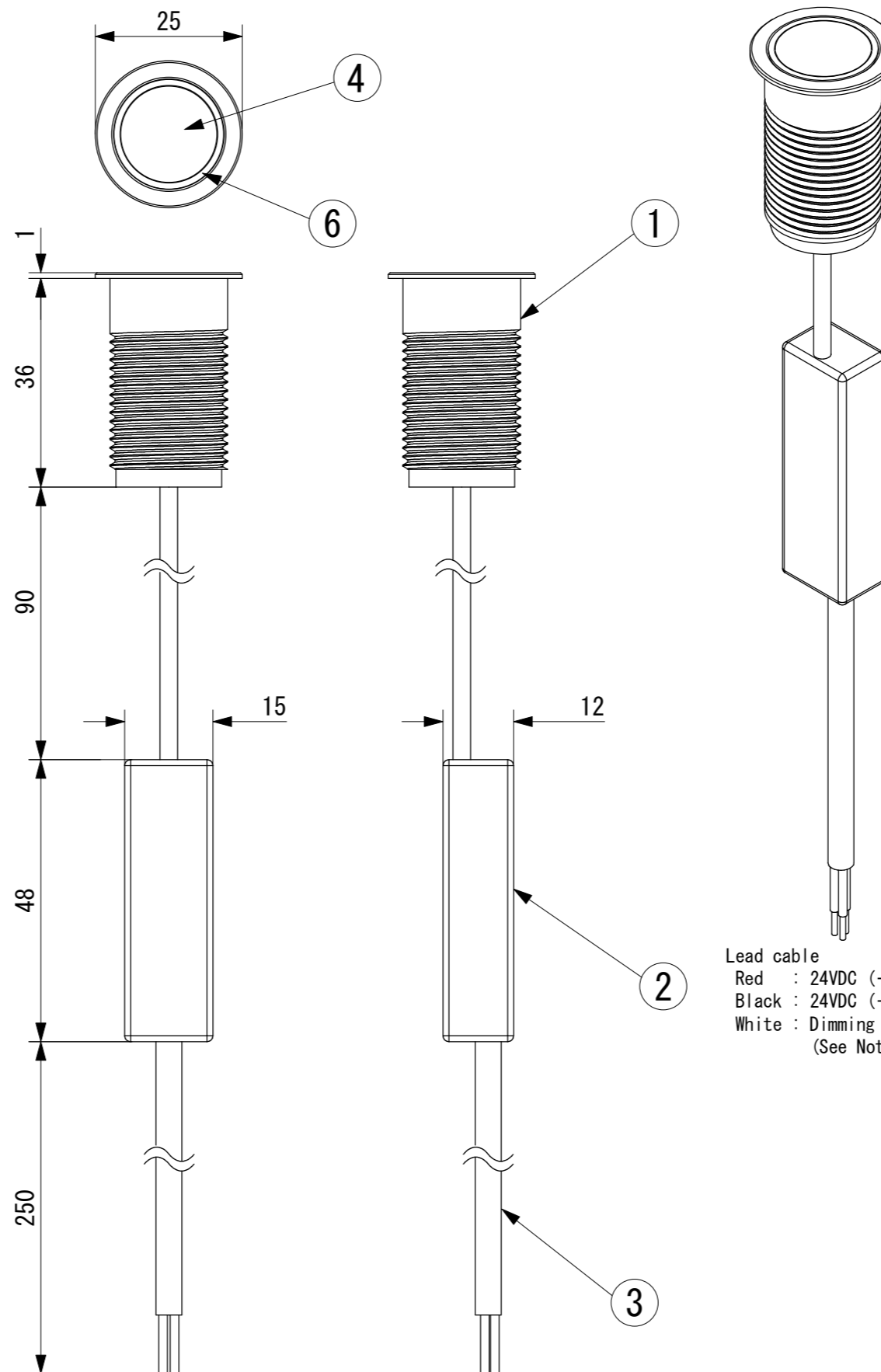
Accessories (scale 1:2)



Note

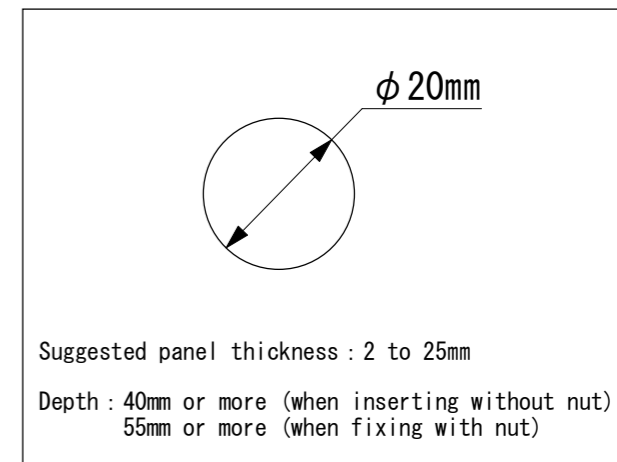
\* Wiring for non-dimming  
It cannot be turned on unless the white wire is connected.  
Be sure to connect the white (dimming) wire to the black (-) wire when you do not dim the light.

Lighting fixture

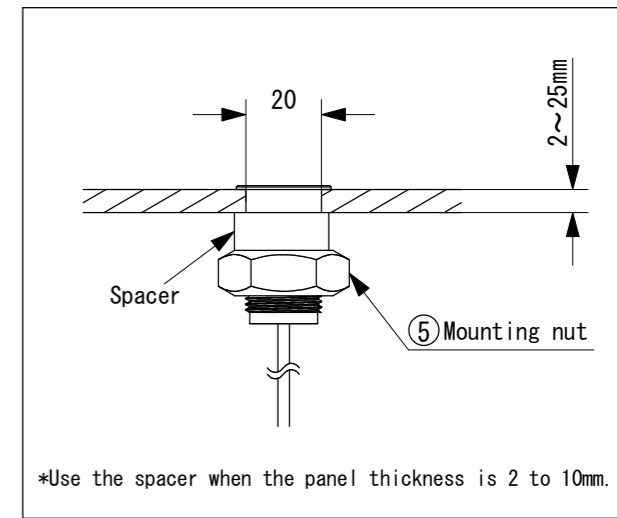


Lead cable  
Red : 24VDC (+)  
Black : 24VDC (-)  
White : Dimming  
(See Note)

Cutout dimension

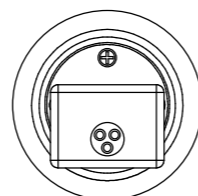


Installation (Scale: 1:2)



Specifications	
• Voltage	: 24VDC
• Power	: 2.6W
• LED Color	: 27K : 2700K 30K : 3000K 35K : 3500K 40K : 4000K
• Beam Angle	: 16D : 16° 24D : 24°
• Body Finish	: B(Black)、S(Silver)
• CRI	: 85
* For Indoor Use	

6	Cone	AL	Glareless cone
5	Mounting nut	Iron	M20 black chromate
4	Tempered glass		t=3.0mm
3	Lead cable	PVC	φ 4.4 (AWG21×3C)
2	Control circuit	PA	L48×W15×H12
1	Body	AL	Alumite finish (black or silver)
No.	Parts 部品	Material 材料	Memo 備考



Date 日付	2019. 10. 8	Scale 縮尺	1:1
Draft 製図	Y. Terabe	Weight 重量	40g
Check 検図	T. Inaba	Unit 単位	mm
Approve 承認	C. Ishibiki	Size 用紙	A3

Title 名称 MICRO UP LIGHT

Product No. 製品番号 MUPO2-\_\_K-\_\_D-\_\_-\_\_  
LED Color Beam angle Finish Glare-cut

TOKI CORPORATION  
トキ・コーポレーション株式会社