

P/N configuration :

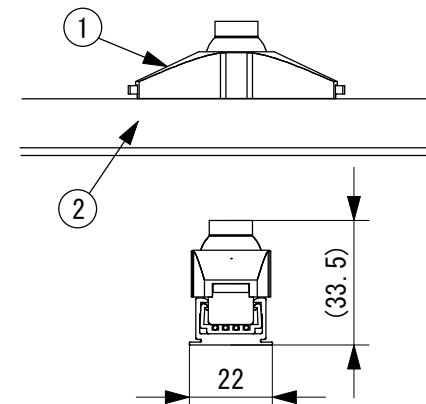
**MTK01 - 30K - 30D - B - H**

Color temp.

Beam angle

Body color

(Scale: 1:2)



Specifications

- Voltage : 24VDC
- Wattage : 1.6W
- CRI : 85 (Standard)  
95 (HC, High color rendering)
- Color temp. : 2700K (27K, HC27K)  
3000K (30K, HC30K)  
3500K (35K, HC35K)  
4000K (40K, HC40K)  
5000K (50K, HC50K)
- Beam angle : 16° (16D), 24° (24D), 30° (30D)
- Body color : Black (B), Silver (S), White (W)

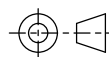
|     |                  |             |                                                    |
|-----|------------------|-------------|----------------------------------------------------|
| 5   |                  |             |                                                    |
| 4   |                  |             |                                                    |
| 3   |                  |             |                                                    |
| 2   | Track            | PC          | P/N: MTK-TK-__m (oprional perts)<br>Color ┘ Length |
| 1   | Micro tracklight | Aluminum/PC |                                                    |
| No. | Parts 部品         | Material 材料 | Memo 備考                                            |

Date 日付 2020/7/16

Draft 製図 Y. Terabe

Check 検図 M. AOKI

Approve 承認 C. Ishibiki



Scale 縮尺 1:1

Weight 重量 20g

Unit 単位 mm

Size 用紙 A4

Title 名称 Micro Tracklight

Product No. 製品番号 MTK01-\_\_-\_\_-\_\_-H

