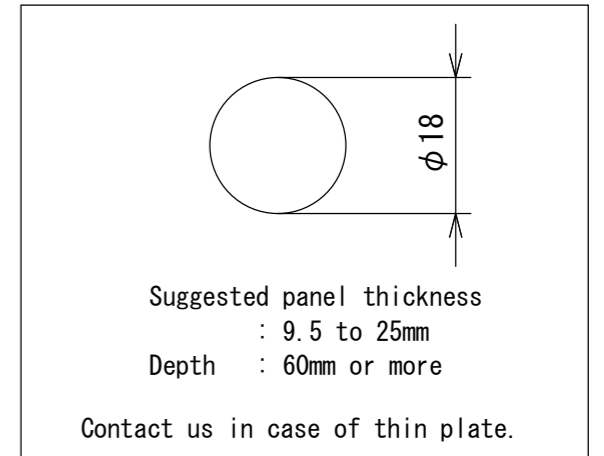
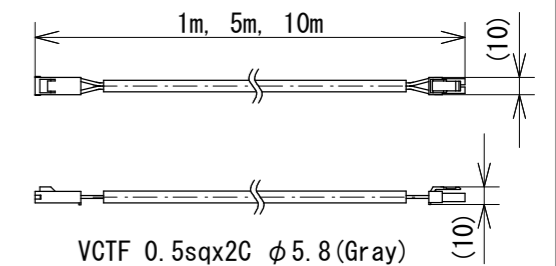


■Cutout dimension

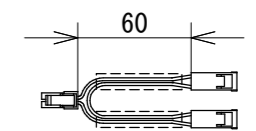


■Option(scale 1 : 4)

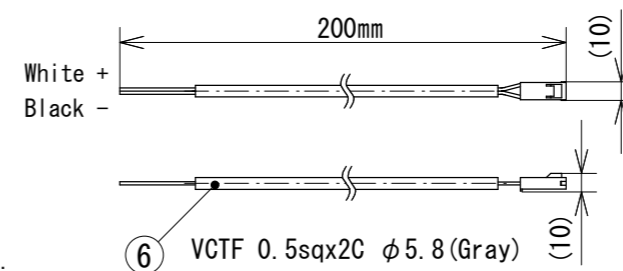
- MPD extension cable 1m/5m/10m
MPD-EXT-1m/5m/10m



- MPD 2 branch connector MPD-SPL2



Feed connector with a 0.2m lead
(not included with fixture)
MPD-CON-0.2m
(Scale 1 : 4)



Note

1. Constant current driver is required. it cannot be insert from the cutout.
2. Wiring after pasting the ceiling board is difficult, We recommend the pre-wiring.
3. Do not use the product while it is covered with heat insulating material or soundproofing material.
4. Connect the optional feed connector and connect the white wire side to the + side of the driver.
5. Use the optional MPD-SPL2 for branch wiring.
In case wiring in parallel without using MPD-SPL2, the rated current will not be obtained, and it will be dark.

No.	Parts 部品	Material 材料	Memo 備考
7	Cone	AL	Glareless cone
6	Lead cable	PVC	VCTF 0.5sqx2C φ5.8シース(Grey) Polarity : White(+), Black(-)
5	Input connector	PA	
4	Protection circuit	PA	
3	Lens	PMMA	
2	Spring	SUS	
1	Body	AL	White paint/black alumite

Specifications

- Current : 700mA (Note 1)
- Wattage : 2.1W
- Color temp. : 2700K (27K), 3000K (30K)
- Beam angle : 16° (16D), 24° (24D)
- CRI : 85
- Body color : Black (B)
White (W) (Equivalent to N93)
- Cut-off angle : 35°

Date 日付 2019. 10. 23

Draft 製図 Y. Terabe

Check 検図 T. Inaba

Approve 承認 C. Ishibiki

Scale 縮尺 1:2

Weight 重量 40g

Unit 単位 mm

Size 用紙 A3

Title 名称 MICRO PINHOLE DOWNLIGHT

Product No. 製品番号 MPD02- K- D-
Color temp. Beam angle Body color

