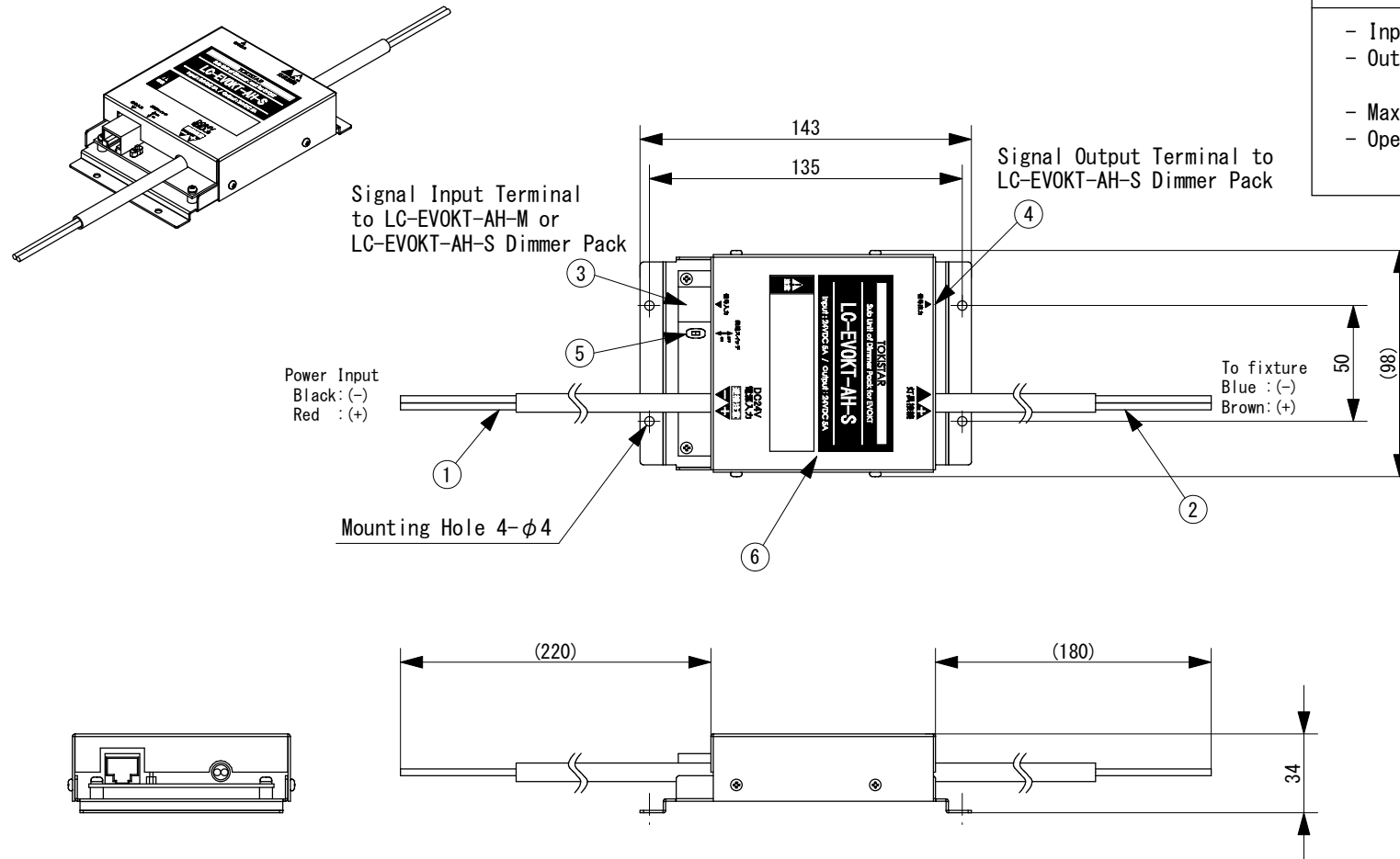


Specifications	
- Input Voltage:	24VDC
- Output Voltage:	24VDC
- Maximum Rated Current:	5A
- Operating Temp.:	0-40°C (Indoor only)



- \* Never connect or disconnect live wires, or it may cause malfunctions.
- \* Turn the Termination Switch ON only when this product is the terminal of the signal transmission wiring.

6	Case	SPC	Black Painting
5	Termination Switch		
4	Signal Output Terminal		LAN cable shall be straight CAT5 or higher
3	Signal Input Terminal		LAN cable shall be straight CAT5 or higher
2	Load Output Wire	PVC	AWG16 x 2 Brown & Blue
1	Power Input Wire	PVC	AWG16 x 2 Red & Black
No.	Parts 部品	Material 材料	Memo 備考

Date 日付 2024/9/27

Draft 製図 Y. Terabe

Check 検図 K. Otani

Approve 承認 C. Ishibiki

Scale 縮尺 1:3

Weight 重量 340g

Unit 単位 mm

Size 用紙 A4

Title 名称 Sub Unit of Dimmer Pack for EVOKT

Product No. 製品番号 LC-EVOKT-AH-S

**TOKI CORPORATION**  
トキ・コーポレーション株式会社