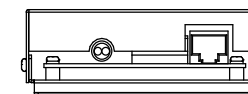
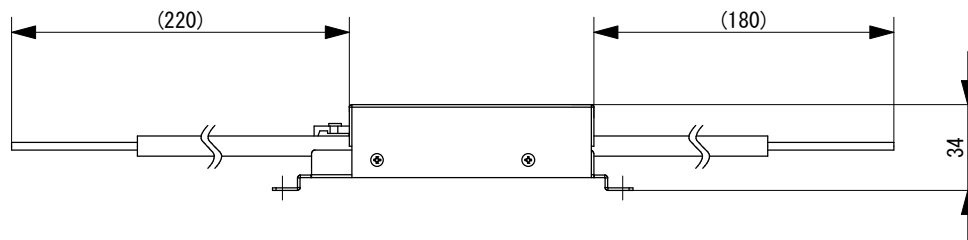
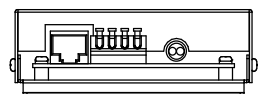
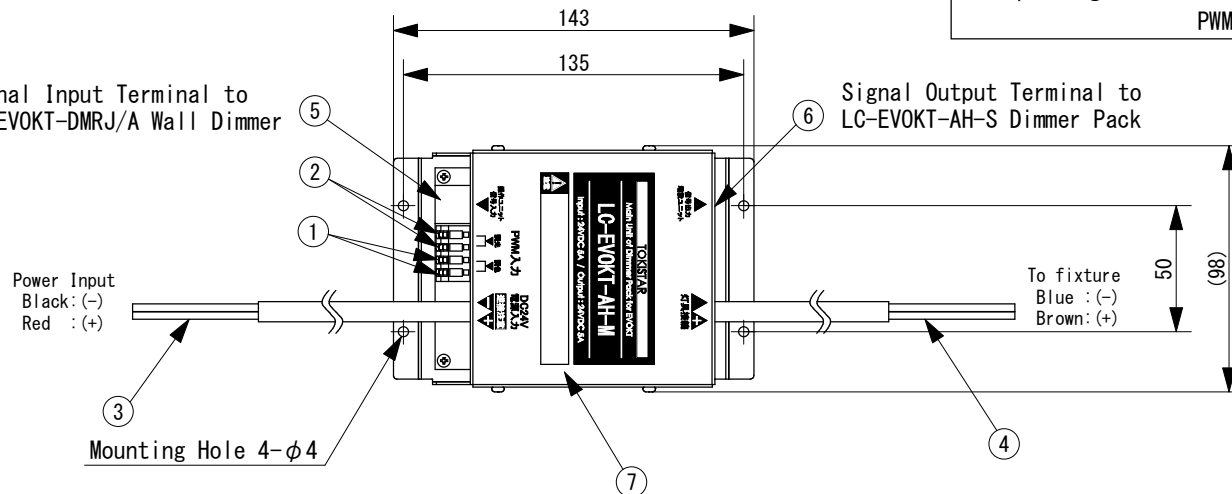


Specifications	
- Input Voltage	: 24VDC
- Output Voltage	: 24VDC
- Maximum Rated Current	: 5A
- Operating Temp.	: 0-40°C (Indoor only)
- Input Signal	: Private Link (LC-EVOKT-DMRJ/A) PWM (Active high, Linear Curve)

Signal Input Terminal to  
LC-EVOKT-DMRJ/A Wall Dimmer

Signal Output Terminal to  
LC-EVOKT-AH-S Dimmer Pack



\* Be sure to use LC-EVOKT-AH-S for feed wiring.

\* Never connect or disconnect live wires, or it may cause malfunctions.

7	Case	SPC	Black Painting
6	Signal Output Terminal		LAN cable shall be straight CAT5 or higher
5	Signal Input Terminal		LAN cable shall be straight CAT5 or higher
4	Load Output Wire	PVC	AWG16 x 2 Brown & Blue
3	Power Input Wire	PVC	AWG16 x 2 Red & Black
2	PWM Dimming Signal Input		Single-line:AWG28 to 14(0.3-1.6mm) Strand-wire:AWG24 to 16(0.2-1.25sq)
1	PWM Toning Signal Input		Single-line:AWG28 to 14(0.3-1.6mm) Strand-wire:AWG24 to 16(0.2-1.2sq)
No.	Parts 部品	Material 材料	Memo 備考

Date 日付	2024/9/27
Draft 製図	Y. Terabe
Check 検図	K. Otani
Approve 承認	C. Ishibiki

Scale 縮尺	1:3
Weight 重量	350g
Unit 単位	mm
Size 用紙	A4

Title 名称 Main Unit of Dimmer Pack for EVOKT

Product No. 製品番号 LC-EVOKT-AH-M

