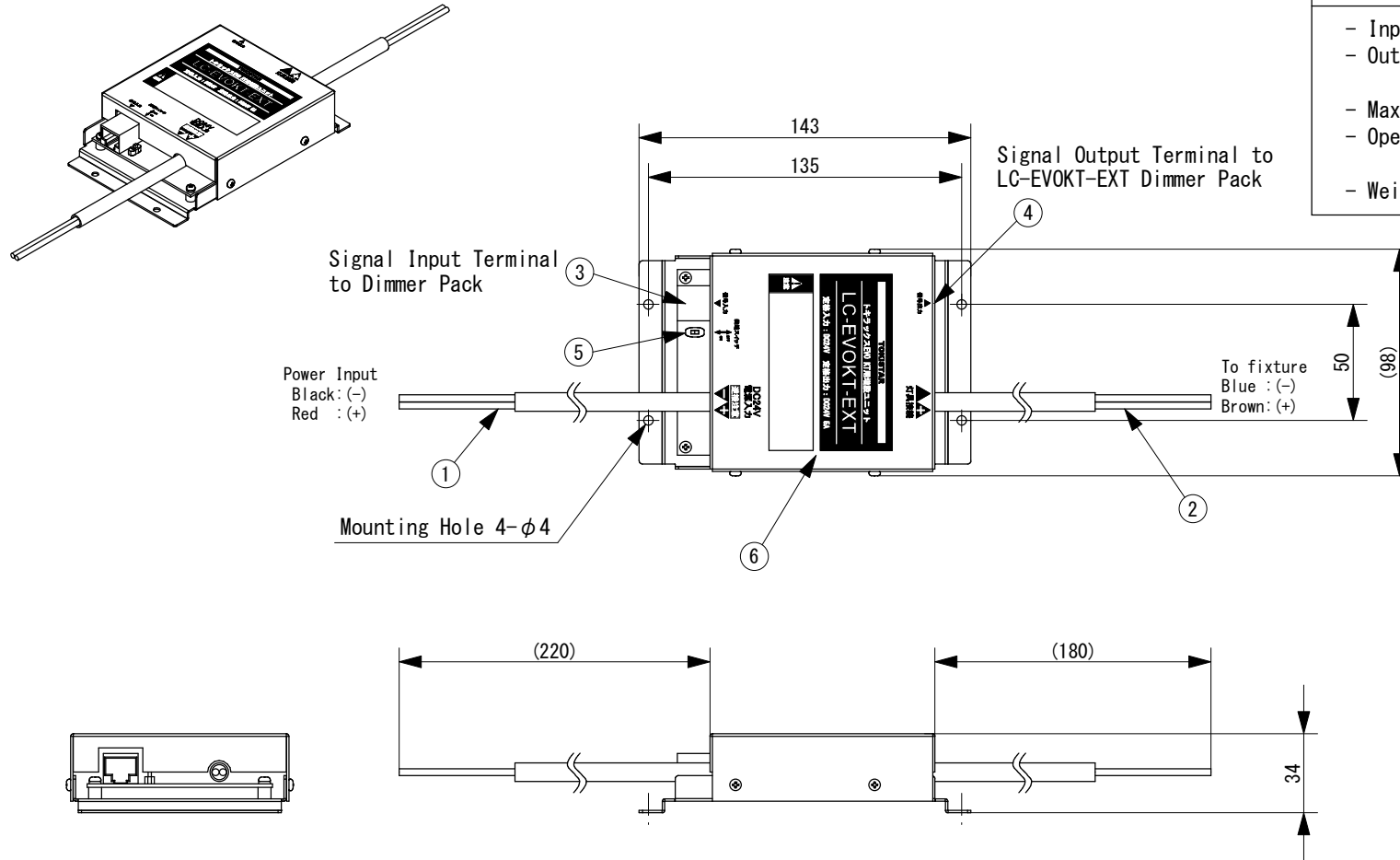


Specifications	
- Input Voltage:	24VDC
- Output Voltage:	24VDC
- Maximum Rated Current:	5A
- Operating Temp.:	0-40°C (Indoor only)
- Weight:	340g



* Never connect or disconnect live wires, or it may cause malfunctions.
 * Turn the Termination Switch ON only when this product is the terminal of the signal transmission wiring.

6	Case	SPC	Black Painting
5	Termination Switch		
4	Signal Output Terminal		LAN cable shall be straight CAT5 or higher
3	Signal Input Terminal		LAN cable shall be straight CAT5 or higher
2	Load Output Wire	PVC	AWG16 x 2 Brown & Blue
1	Power Input Wire	PVC	AWG16 x 2 Red & Black
No.	Parts 部品	Material 材料	Memo 備考

Date 日付 2020. 10. 19
 Draft 製図 Y. Terabe
 Check 検図 K. Otani
 Approve 承認 C. Ishibiki

Scale 縮尺 1:3
 Weight 重量 340g
 Unit 単位 mm
 Size 用紙 A4

Title 名称 Dimmer Pack
 Product No. 製品番号 LC-EVOKT-EXT

 トキ・コーポレーション株式会社