

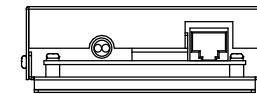
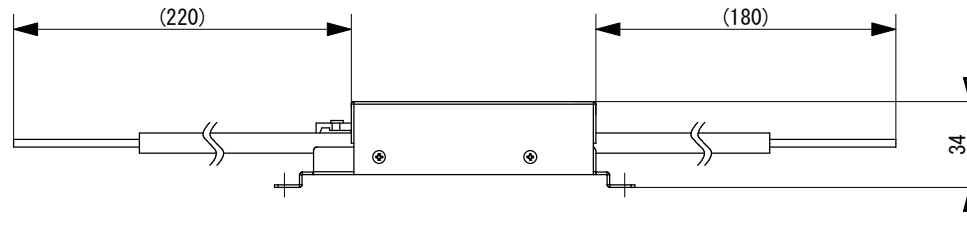
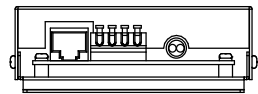
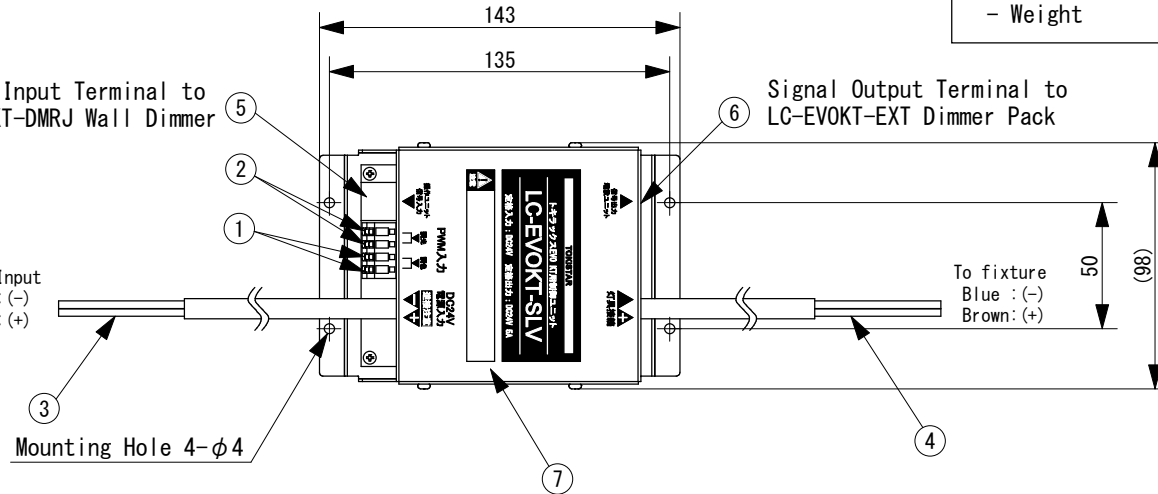
Specifications	
- Input Voltage	: 24VDC
- Output Voltage	: 24VDC
- Maximum Rated Current	: 5A
- Operating Temp.	: 0-40°C (Indoor only)
- Weight	: 350g

Signal Input Terminal to LC-EVOKT-DMRJ Wall Dimmer

Signal Output Terminal to LC-EVOKT-EXT Dimmer Pack

Power Input  
Black: (-)  
Red: (+)

To fixture  
Blue: (-)  
Brown: (+)



\* Be sure to use LC-EVOKT-EXT for feed wiring.  
\* Never connect or disconnect live wires, or it may cause malfunctions.

7	Case	SPC	Black Painting
6	Signal Output Terminal		LAN cable shall be straight CAT5 or higher
5	Signal Input Terminal		LAN cable shall be straight CAT5 or higher
4	Load Output Wire	PVC	AWG16 x 2 Brown & Blue
3	Power Input Wire	PVC	AWG16 x 2 Red & Black
2	PWM Dimming Signal Input		Single-line:AWG28 to 14(0.3-1.6mm) Strand-wire:AWG24 to 16(0.2-1.25sq)
1	PWM Toning Signal Input		Single-line:AWG28 to 14(0.3-1.6mm) Strand-wire:AWG24 to 16(0.2-1.2sq)
No.	Parts 部品	Material 材料	Memo 備考

Date 日付	2020. 10. 19
Draft 製図	Y. Terabe
Check 検図	K. Otani
Approve 承認	C. Ishibiki

Scale 縮尺	1:3
Weight 重量	350g
Unit 単位	mm
Size 用紙	A4

Title 名称	Dimmer Pack
Product No. 製品番号	LC-EVOKT-SLV

