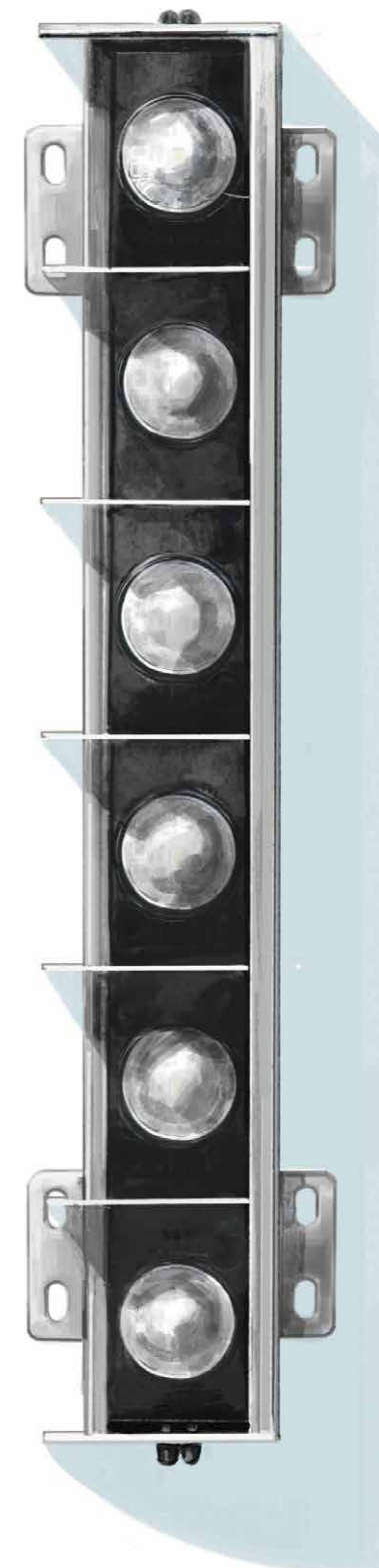


# TOKISTAR

PRODUCT GUIDE  
REVELER



2F JS Progre, 4-1-23, Heiwajima,  
Ota-ku, Tokyo 143-0006, Japan  
TEL : +81-3-5763-6121  
FAX : +81-3-5763-6130  
[www.toki.co.jp](http://www.toki.co.jp)

2024.10 Ver. 2



#01



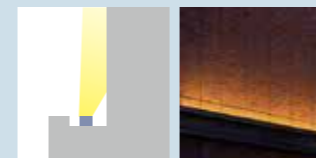
#02



#03



#01 Peter Luger Steak House Tokyo



RWCXP-50-2400K-SP

Owner : Wondertable,Ltd.  
Store Design : DESIGN POST INC.  
Lighting Design : Arc Light Design,LLC / glow Inc.  
Photograph : Nacása & Partners Inc.

#02 Chimelong Hengqin Bay Hotel



RW-150-3000K-SP

Design : Lighting Design Alliance  
Photographer : Derryck Menere

#03 Tamaruya Honten



RW-75-2700K-SP

Design : hashimoto yukio design studio Inc.

Point  
01

Reveler is wet-location listed with an IP66 rating

Low voltage AC circuit



Aluminum die-cast

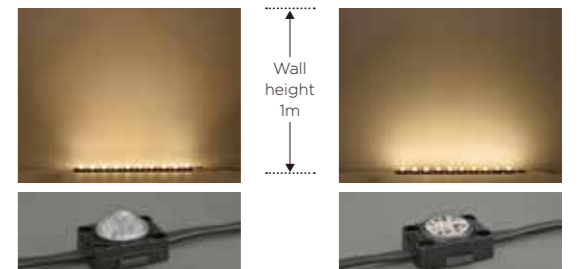
Reveler operates on a 24VAC circuit. The module is comprised of an aluminum die-cast cover and a flame retardant, weather-resistant polymeric base which meets UL Standards UL 94 and UL 746C.

In its basic form, the system is extremely flexible and able to outline complex shapes.



Point  
02

2 types Lens Selection



SP ( 80° x 25° ) Lens

W Lens

For grazing light vertically, our 80° x 25° linear spread lens does a remarkable job of focusing light precisely where needed.

The W lens is ideal when a broader distribution of light is required.

Point  
03

Partition-Guard and L-Guard Louver



L-Guard (custom)

Partition-Guard

An integral louver is available as a L-Guard to keep LEDs from a direct line of sight. Partition-Guard prevents glare from side-viewing perspectives.

※ For further details, please contact us.



# REVELER



	<b>IP66</b>	<b>24VAC</b>	<b>24VAC</b> phase	<b>24VDC</b> 0-10V/1-10V	<b>24VDC</b> DMX	<b>CRI85</b>

Voltage = 24VAC  
 Wattage = 1.8W/LED  
 Weight = 630g/m (at 50mm spacing)  
 Main Materials = Aluminum, PVC & PC  
 Lead cable = AWG14 x 2 L=2m

**RW-□□□-□□□□K-□□**

LED Spacing	LED Color	Beam Angle
50 : 50mm	2400K 4200K	SP : Spread
75 : 75mm	2700K 5000K	W : Wide
100 : 100mm	3000K	

Catalog#	Power	LED Q'ty/run
RW-50-_-_-	36W/m	2-176 LEDs
RW-75-_-_-	24W/m	
RW-100-_-_-	18W/m	

# REVELER CX



	<b>IP66</b>	<b>24VAC</b>	<b>24VAC</b> phase	<b>24VDC</b> 0-10V/1-10V	<b>24VDC</b> DMX	<b>CRI85</b>
--	-------------	--------------	-----------------------	-----------------------------	---------------------	--------------

Voltage = 24VAC  
 Wattage = 1.8W/LED  
 Weight = 1400g/m (at 50mm spacing)  
 Main Materials = Aluminum, Stainless Steel, PVC & PC  
 Lead cable = AWG14 x 2 L=2m

**RWCX02-□□□-□□□K-□□**

LED Spacing	LED Color	Beam Angle
50 : 50mm	24K : 2400K 42K : 4200K	SP : Spread
75 : 75mm	27K : 2700K 50K : 5000K	W : Wide
100 : 100mm	30K : 3000K	

Catalog#	Power	LED Q'ty/run
RWCX02-50-_-_-	36W/m	6-44 LEDs
RWCX02-75-_-_-	24W/m	4-30 LEDs
RWCX02-100-_-_-	18W/m	3-22 LEDs

Optional Mounting Brackets are absolute necessity for installation. Please choose from page 4.

# REVELER CX with Partition-Guard



	<b>IP66</b>	<b>24VAC</b>	<b>24VAC</b> phase	<b>24VDC</b> 0-10V/1-10V	<b>24VDC</b> DMX	<b>CRI85</b>
--	-------------	--------------	-----------------------	-----------------------------	---------------------	--------------

Voltage = 24VAC  
 Wattage = 1.8W/LED  
 Weight = 1800g/m (at 50mm spacing)  
 Main Materials = Aluminum, Stainless Steel, PVC & PC  
 Lead cable = AWG14 x 2 L=2m

**RWCX02P-□□□-□□□K-SP-L**

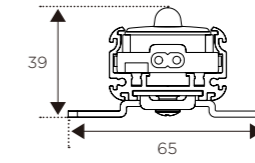
LED Spacing	LED Color	Beam Angle
50 : 50mm	24K : 2400K 42K : 4200K	SP : Spread
75 : 75mm	27K : 2700K 50K : 5000K	
100 : 100mm	30K : 3000K	

Catalog#	Power	LED Q'ty/run
RWCX02P-50-_-_-SP-L	36W/m	6-44 LEDs
RWCX02P-75-_-_-SP-L	24W/m	4-30 LEDs
RWCX02P-100-_-_-SP-L	18W/m	3-22 LEDs

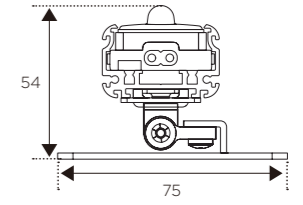
Optional Mounting Brackets are absolute necessity for installation. Please choose from page 4.

# REVELER CX Mounting Brackets

Channels require Fixed or Adjustable Brackets. Two brackets are required for lengths from 0.3 to 2.2m.



Fixed Bracket (Spread Lens)



Adjustable Bracket (Spread Lens)

2pcs / set  
 One set is required for each per run.

# Lumen value per meter

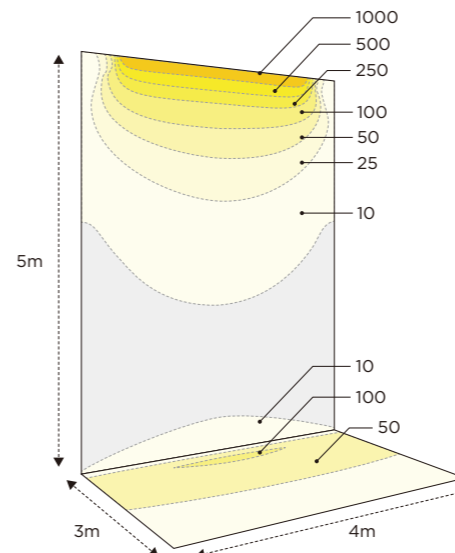
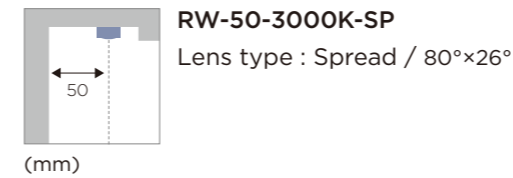
LED Color \ LED Spacing	50mm	75mm	100mm
2400K	1260	840	630
2700K	1320	880	660
3000K	1360	906	680
4200K	1460	973	730
5000K	1540	1026	770

(lm)

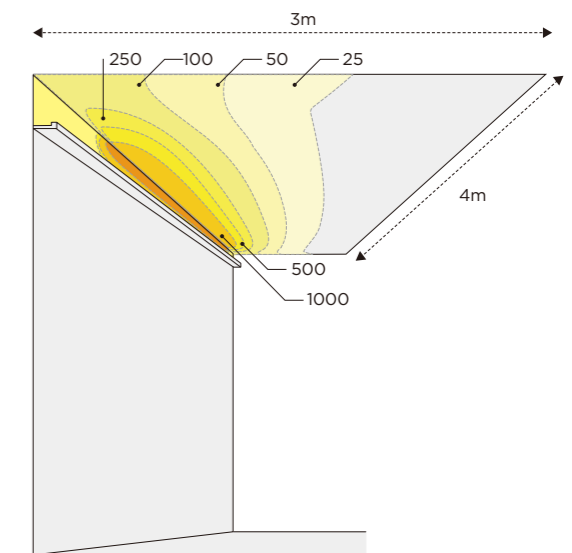
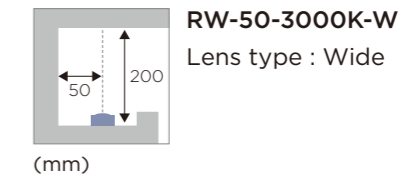
# LED Colors, lm

2400K : 63lm / LED	4200K : 73lm / LED
2700K : 66lm / LED	5000K : 77lm / LED
3000K : 68lm / LED	

# Light Distribution



[ lx ]

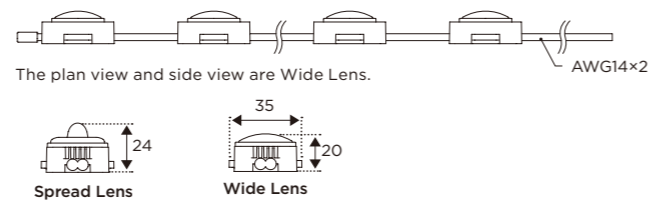
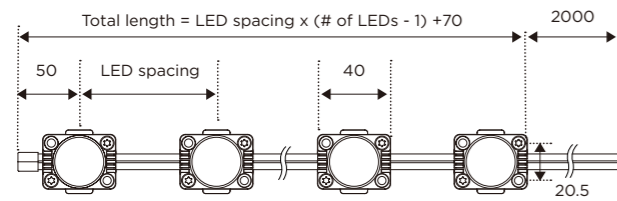


[ lx ]

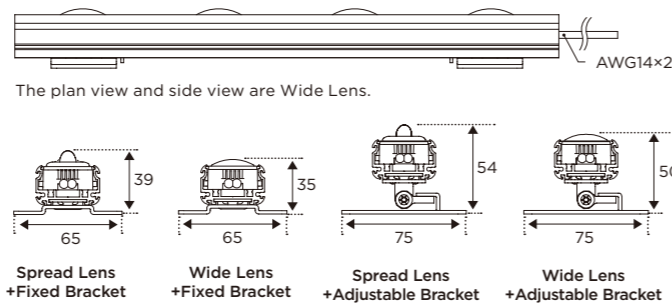
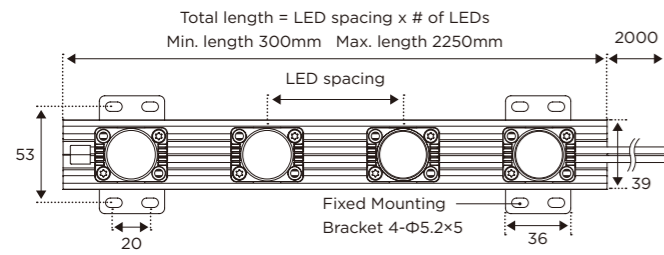
## Specifications

### REVELER

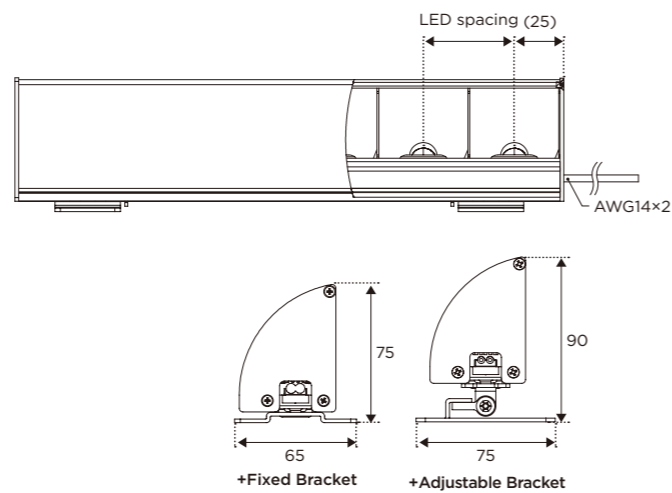
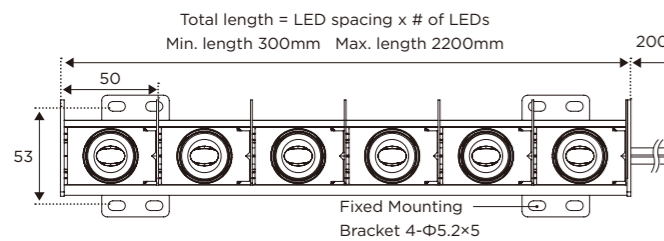
(mm)



### REVELER CX



### REVELER CX with Partition-Guard



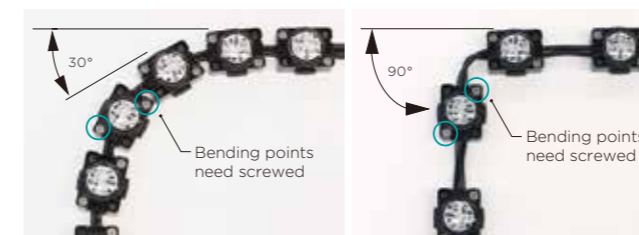
## Instructions

### REVELER | Direct Screw Mounting



Reveler can be fixed directly with screws at mounting holes. Please prepare commercially available 4mm diameter screws on site. (Do not use countersunk screws)

### REVELER | Curve Mounting



50mm LED Spacing      75mm LED Spacing

Every spacing of Reveler is extremely flexible with LEDs facing into or away from the bend.

### REVELER | Custom LED Spacing

Custom LED spacings are available upon request.

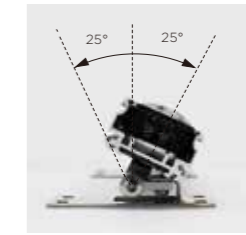
### REVELER CX | Fixed Brackets Mounting



For secure mounting, use screws. Screws must be firmly attached to support the weight of the fixture. Do not use countersunk screws.

RWCX-FIXB2-OP	Fixed Brackets
2pcs / set	
One set is required for each per run.	

### REVELER CX | Adjustable Brackets Mounting



Mounting option for Reveler CX. Adjustable brackets pivot 25 degrees.

RWCX-ADJB2-OP	Adjustable Brackets
2pcs / set	
One set is required for each per run.	

### Mounting Stakes

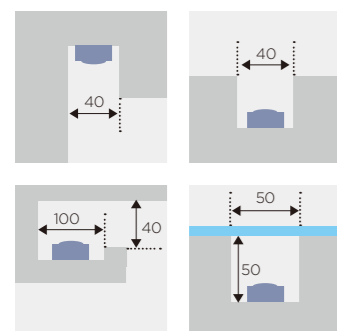


This optional item for Reveler CX can be used for both temporary and permanent landscape applications. Used in combination with Fixed or Adjustable Brackets.

RWCX-SPI2-OP	Reveler CX Stakes
2pcs / set	
Please install on site.	
Ruspert treated for the stake part.	
The base plate is stainless steel.	

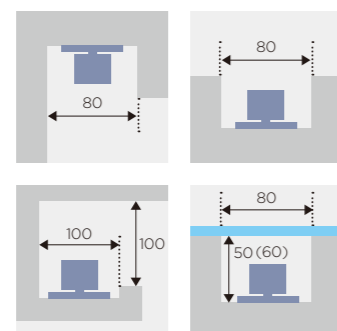
## Minimum Space Requirements

### REVELER



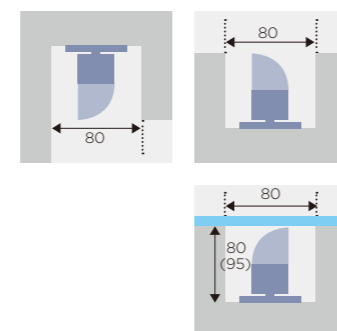
■ = Luminous material

### REVELER CX



Dimensions in parentheses are when Adjustable Brackets are used.

### REVELER CX with Partition-Guard



Dimensions in parentheses are when Adjustable Brackets are used.

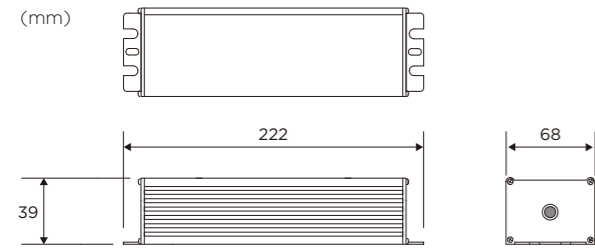
For proper air flow, the dimensions indicated are required to prevent heat build up. Please keep these guidelines in mind when using various optional parts. Other considerations are lighting effect and maintenance.

## Operated by 24VDC

### 24VDC LED Drivers

#### LDR24-96

Tokistar's LDR24-96 has a single 96 Watt output.



#### Specifications

Input Range : 100-277VAC  
 Frequency Range : 50/60Hz  
 Output: 24VDC (+/- 3%)  
 Max. Output Current : 4.0A  
 Max. Output Power : 96W

#### Mechanical Specifications

Dimensions : W68 x L222 x H39mm  
 Weight : 998g  
 Protection : Overload, Over Voltage, Short Circuit, Over Temperature  
 Operating Temperature : -30°C-+50°C  
 Enclosure Rating : Suitable for use in Dry, Damp and Wet Locations/IP67 Rated  
 Mounting : Flange Mount

#### Safety Standards

UL 879, UL 8750, UL 1310 Class 2, TUV  
 EN60950-1, EN61347-1, EN61347-2-3 ind.  
 CAN/CSA C22.2, No. 223-M91, CE, IP67 Rated

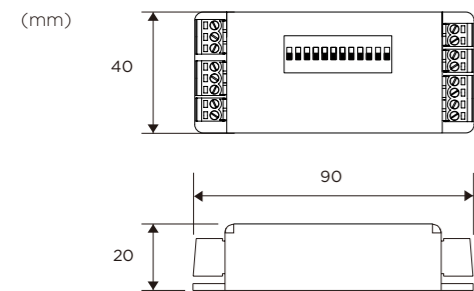
#### LED Module Capacity

1.8Watt LEDs : 53 each

### Dimmer Packs

#### LC-1CH-MULTI

Tokistar's LC-1CH-MULTI Dimmer Pack is compatible with industry-standard dimmers working on DMX or 0-10V/1-10V protocol. In the manual mode, a preset light level can be set without the use of an external dimmer.



#### Specifications

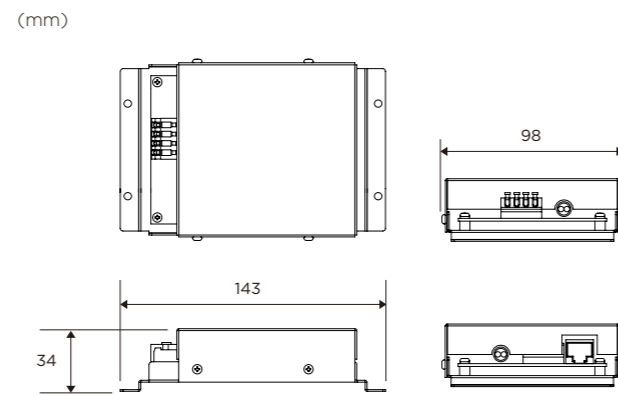
Input : 24VDC  
 Environmental Rating : Dry Location/IP20  
 Dimensions : W40 x L90 x H20mm  
 Weight : 50g  
 Listing : ETL Listed/CE Certified  
 Operating Temperature: 0-+50°C

### DC-AC inverter

Reveler series operate with 24 VDC LED Driver.

#### LC-DCAC-M **NEW**

Main unit of DC-AC inverter.

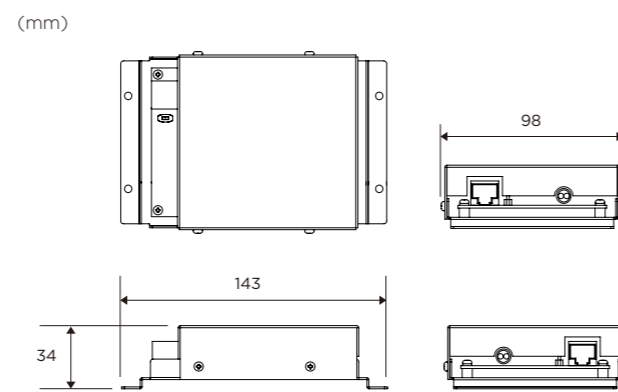


#### Specifications

Input : 24VDC, 5A  
 Output : 24VAC, 5A  
 Environmental Rating : Indoor only  
 Dimensions : W98 x L143 x H34mm  
 Weight : 350g  
 Operating Temperature : 0-+40°C

#### LC-DCAC-S **NEW**

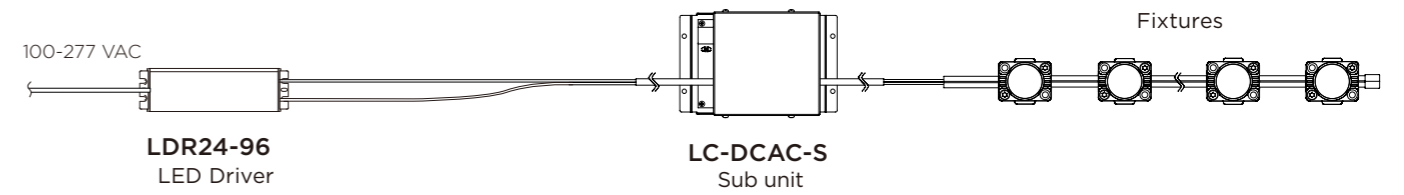
Sub unit of DC-AC inverter.



#### Specifications

Input : 24VDC, 5A  
 Output : 24VAC, 5A  
 Environmental Rating : Indoor only  
 Dimensions : W98 x L143 x H34mm  
 Weight : 340g  
 Operating Temperature : 0-+40°C

### Non-dimming Wiring Diagram

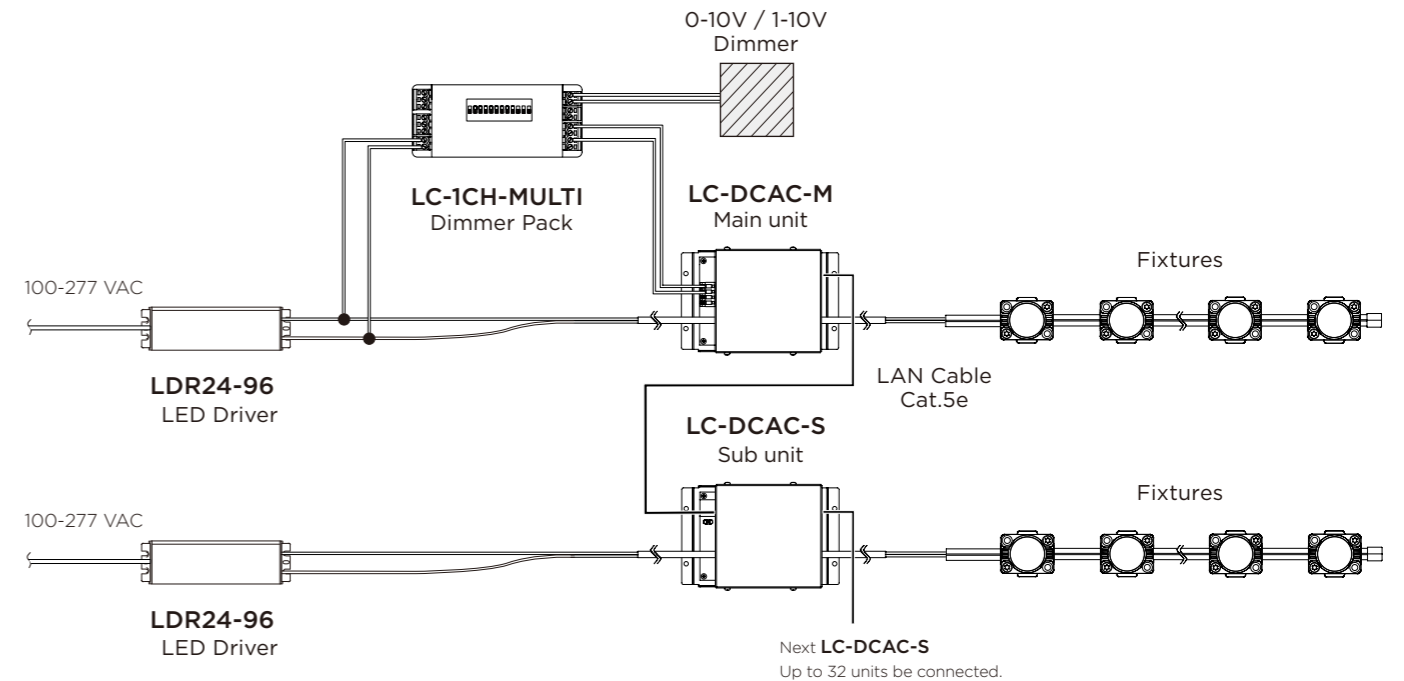


### Dimming Wiring Diagrams

Reveler series can be dimmed with industry-standard DMX or 0-10V/1-10V protocols.

#### 0-10V/1-10V Dimming

1-10V/0-10V Dimmer and LAN cable will be procured locally.



## Operated by 24VAC

### Reveler series operate with 24 VAC magnetic transformer.

Do not use with electronic transformers.

The primary input to the transformer may be dimmed from industry standard phase-control dimmers, also referred to as triac dimmers. While most show very favorable results, there may be compatibility issues with certain makes and models.

The following guidelines should be taken into account in selecting the proper dimming device:

1. Make sure the dimmer used is suitable for use with magnetic low-voltage transformers, not electronic low-voltage transformers.
2. Some dimmers have a minimum-load requirement. Since LEDs consume so little power, this should be given serious consideration in the selection of the dimmer.
3. Some dimmers not only require a minimum load, but may not function properly at certain levels/loads because they do not interpret an LED load as they do a standard incandescent load. In such cases, some dimming companies offer a "synthetic load" device to resolve this issue. Check with the dimmer manufacturer in such cases.
4. Tokistar has evaluated a wide range of dimmers, but cannot promise perfect dimming results with every make and model on the market. Additionally, manufacturers of dimmers occasionally make changes to their specifications without notice. Some older generations of a certain model might actually work more fluidly than a newer generation.
5. If there is any question on compatibility, consult with us on a case-by-case basis. We work closely with many dimming companies, and can provide samples of our fixtures for compatibility testing if necessary.

#### PRECAUTIONS

1. Read all instructions completely before beginning installation.
2. Turn off electricity before beginning installation.
3. All wiring is to be performed by a qualified electrician.
4. Installation must comply with the National Electrical Code, or related applicable regulations.
5. Turn main supply to magnetic down transformer on only after all connections have been made and tested.
6. Use only appropriate magnetic down transformer.