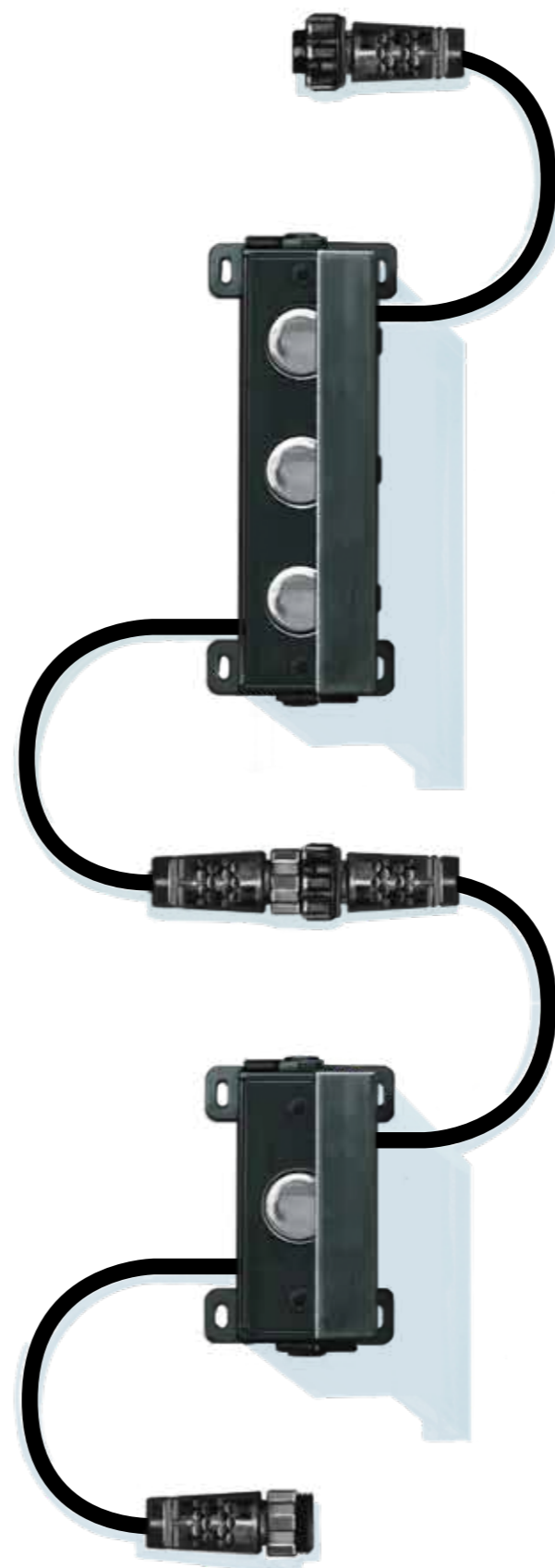


# TOKISTAR

PRODUCT GUIDE  
O'LINKS

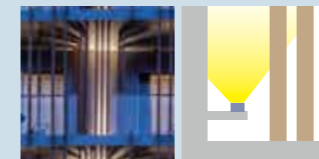


2F JS Progre, 4-1-23, Heiwajima,  
Ota-ku, Tokyo 143-0006, Japan  
TEL : +81-3-5763-6121  
FAX : +81-3-5763-6130  
[www.toki.co.jp](http://www.toki.co.jp)

2022.11 Ver. 1

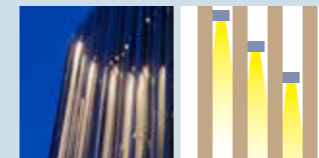


#01 Fenix Furano



OLS-30K-15D-3  
 Design : SAAD architects  
 Lighting Design : Lighting M Inc.  
 Photographer : Kenji Masunaga

#02 The VERLUX TAKANAWA



OLS-30K-08D  
 Design : MITSUBISHI ESTATE HOME CO.,Ltd.  
 Lighting Design : SIRIUS LIGHTING OFFICE Inc.  
 Photographer : Fumito Suzuki

#03 GMO Internet Group Office



OLS-27K-SP-3 (custom)  
 Photograph : Nacasa & Partners Inc.

Point 01

Enhanced louvers for each construction condition and application



Custom-made louvers eliminate glare from front and side-viewing perspectives. These louvers are among the highly versatile improvements we have made to our O'LINKS system.

Point 02

Response to the heavy salt resistance requirement

We've improved the durability of metal surfaces by adding a treatment equivalent to the heavy salt resistance category, making our products compliant with the required standards.



Designated as heavy salt-resistant grades

Point 03

As a linear spot, it can be used in combination with GRADIENT OUTDOOR to great effect

It shares the same optical characteristics & platform as GRADIENT OUTDOOR. Use GRADIENT OUTDOOR for surface effects. O'LINKS are ideal for accent lighting on exterior fins and louvers.



※Electrical characteristics are different from GRADIENT OUTDOOR. Please contact us if you would like to use them together.

## O'LINKS Standard



Current = 700mA  
 Weight = 1-LED type : 190g / 3-LED type : 240g  
 Main Materials = Aluminum, Stainless steel & PC  
 Power Cable PVC = Insulation(AWG18 x 2)

### OLS02-□□K-□□-□

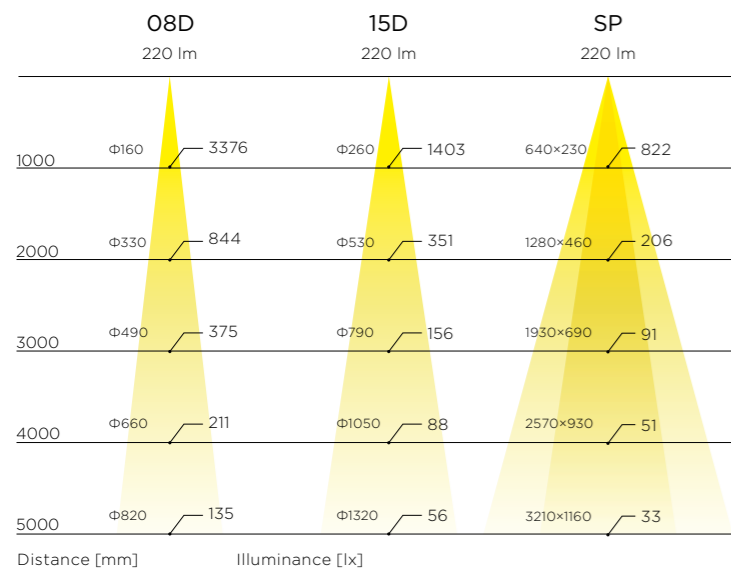
LED Color	Beam Angle	# of LEDs
30K : 3000K	S P : Spread	1 : 1-LED type
40K : 4000K	15D : 15°	3 : 3-LED type
	O8D : 8°	

Catalog#	Power	#of LEDs
OLS02-__K-__-1	2.1W	1pc
OLS02-__K-__-3	6.3W	3pcs

OLS Lead Cable 2m & End Connector are essential. Please confirm at page 7.

### Light Distribution

※ All values shown are for 3000K module



### Beam Angle

SP : Spread (40° x 15°)      15D : 15°

O8D : 8°

### LED Color, lm

3000K : 220 lm/LED      4000K : 220 lm/LED

※ The above values are for Standard type.

## O'LINKS with Slit-Guard



Current = 700mA  
 Weight = 240g  
 Main Materials = Aluminum, Stainless steel & PC  
 Power Cable PVC = Insulation(AWG18 x 2)

### OLS02S-□□K-□□-1

LED Color	Beam Angle	# of LEDs
30K : 3000K	S P : Spread	1 : 1-LED type
40K : 4000K	15D : 15°	
	O8D : 8°	

Catalog#	Power	#of LEDs
OLS02S-__K-__-1	2.1W	1pc

OLS Lead Cable 2m & End Connector are essential. Please confirm at page 7.

## O'LINKS with L-Guard



Current = 700mA  
 Weight = 1-LED type : 260g / 3-LED type : 350g  
 Main Materials = Aluminum, Stainless steel, PC  
 Power Cable PVC = Insulation(AWG18 x 2)

### OLS02L-□□K-□□-□

LED Color	Beam Angle	# of LEDs
30K : 3000K	S P : Spread	1 : 1-LED type
40K : 4000K	15D : 15°	3 : 3-LED type
	O8D : 8°	

Catalog#	Power	#of LEDs
OLS02L-__K-__-1	2.1W	1pc
OLS02L-__K-__-3	6.3W	3pcs

OLS Lead Cable 2m & End Connector are essential. Please confirm at page 7.

## O'LINKS with Partition-Guard



Current = 700mA  
 Weight = 280g  
 Main Materials = Aluminum, Stainless steel & PC  
 Power Cable PVC = Insulation(AWG18 x 2)

### OLS02P-□□K-□□-1

LED Color	Beam Angle	# of LEDs
30K : 3000K	S P : Spread	1 : 1-LED type
40K : 4000K	15D : 15°	
	O8D : 8°	

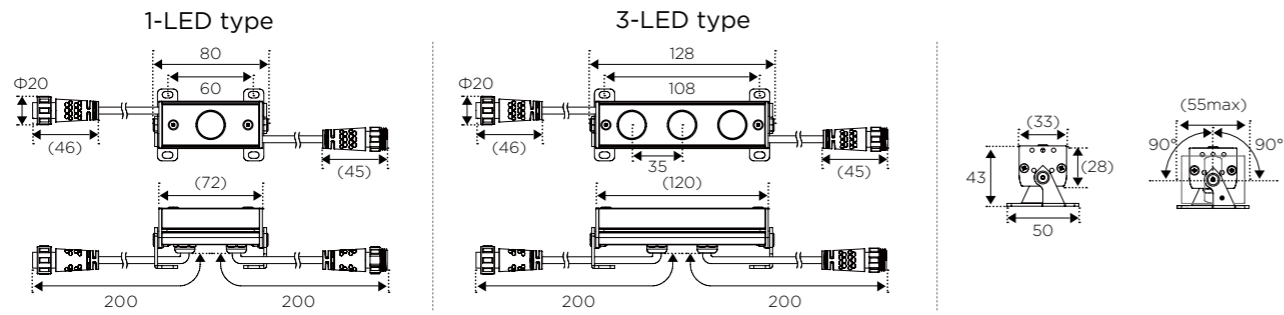
Catalog#	Power	#of LEDs
OLS02P-__K-__-1	2.1W	1pc

OLS Lead Cable 2m & End Connector are essential. Please confirm at page 7.

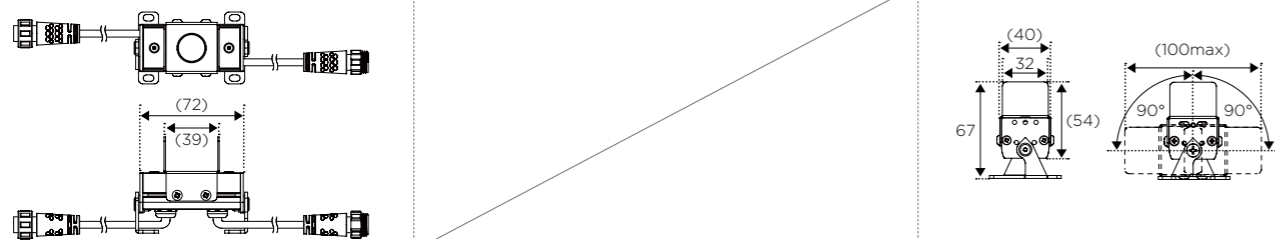
## Specifications

(mm)

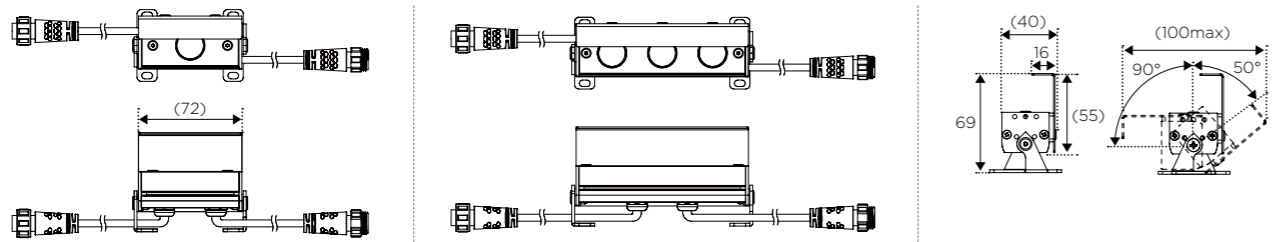
### O'LINKS Standard



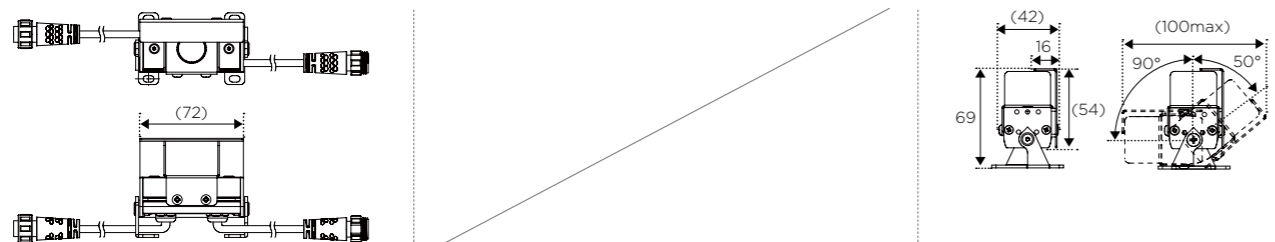
### O'LINKS with Slit-Guard



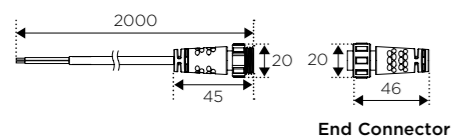
### O'LINKS with L-Guard



### O'LINKS with Partition-Guard

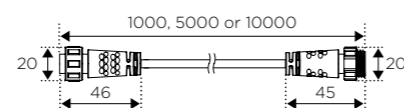


### OLS Lead Cable & End Connector



End Connector

### OLS Extension Cable



OLS-EXT-1m	OLS Extension Cable 1m
OLS-EXT-5m	OLS Extension Cable 5m
OLS-EXT-10m	OLS Extension Cable 10m

## Special features for our Louver lineups

### Slit-Guard

#### Ceiling and floor slits.

This effectively reduces glare from side-viewing angles when it is installed in slit areas.

Glare cut angle : 42°

### L-Guard

#### Architectural exteriors, rooftop construction, walls and signboards.

This linear glare guard is highly effective in reducing glare on exterior applications where the fixture is viewed directly and not concealed.

### Partition-Guard

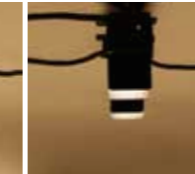
#### Architectural exteriors and areas needing additional point lighting.

The Slit-Guard and L-Guard are used in conjunction with each other to eliminate glare from front and side-viewing perspectives.

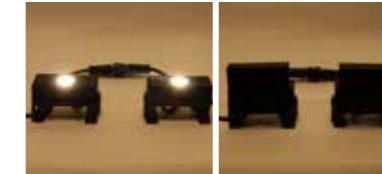
#### Standard



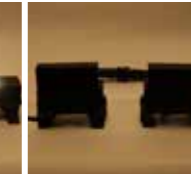
#### With Slit-Guard



#### Standard



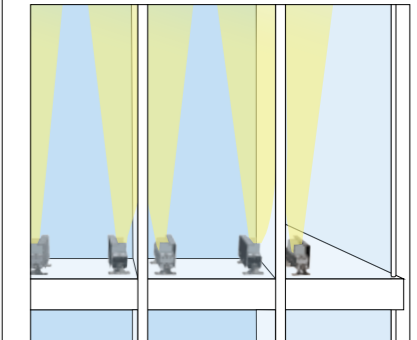
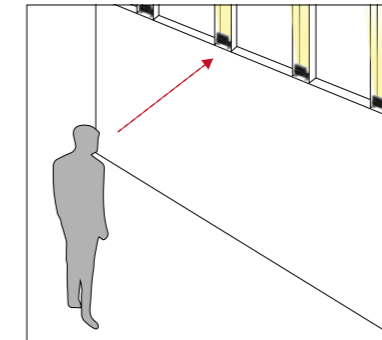
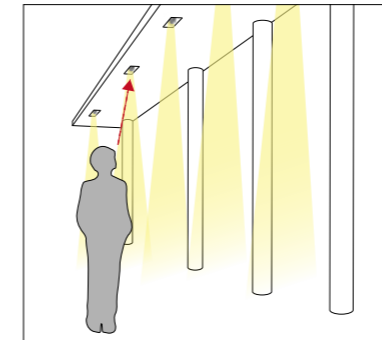
#### With L-Guard



#### Standard

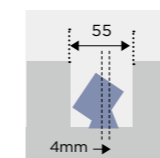
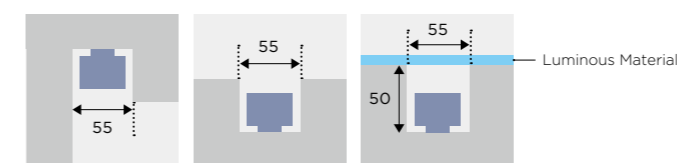


#### With Partition-Guard



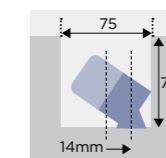
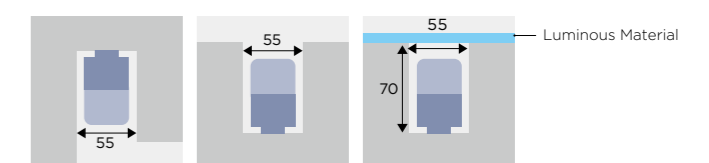
## Minimum Space Requirements

### Standard Extrusion



When tilting an extrusion within the minimum installation dimension, offset the center axis of the fixture installation by about 4mm.

### With Guard



When tilting an extrusion within the minimum installation dimension, offset the center axis of the fixture installation by about 14mm.

※ For proper air flow, the dimensions indicated are required to prevent heat build up.

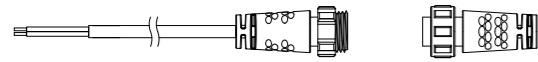
## OLS Connectors

### OLS Connectors

Water proof connectors link fixtures and bring 700mA to the system for plug-and-go simplicity.

#### OLS-CON-2m/EC (2m length) **REQUIRED**

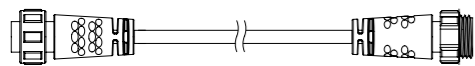
Each run of OLS requires this feed connector with a 2m lead. The End Connector insulates a female connector at the end of a run and completes the circuit.



OLS-CON-2m/EC	OLS Lead Cable 2m & End Connector
---------------	-----------------------------------

#### OLS-EXT-1m (1m length) OLS-EXT-5m (5m length) OLS-EXT-10m (10m length)

Extension cables extend the distance between fixtures and may be added to OLS-CON connector to reach remote LED driver locations.



OLS-EXT-1m	OLS Extension Cable 1m
OLS-EXT-5m	OLS Extension Cable 5m
OLS-EXT-10m	OLS Extension Cable 10m

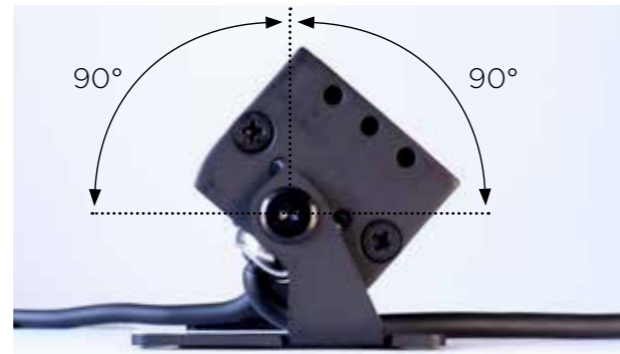
## Instruction

### Mounting



Securely mount fixtures using screws on all four mounting holes.

### Adjustable brackets



Each fixture is fitted with adjustable brackets on the ends.

※ The indicated angle above is for our standard extrusion. Refer to the dimensioned drawings on pages 5 and 6 for the range adjustment of various louvers.

### Mounting Stake



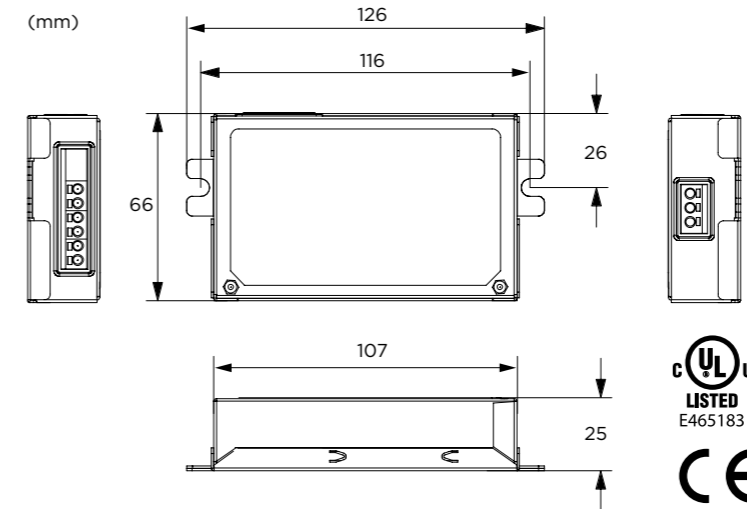
This aluminum stake will be fastened on OLS adjustable brackets at the factory.

OLS-1-SPI-OP	OLS Stake for 1-LED type
OLS-3-SPI-OP	OLS Stake for 3-LED type

## Power Supply

### LDRCC-40-NS(-D)

Our constant current LED Driver accepts input from 0-10VDC dimming controls. The driver has full range dim-to-off capability. The input is universal ranging from 100 to 277VAC 50/60 Hz.



#### LDRCC-40 Specifications

Input Range : 100-277VAC  
Frequency Range : 50/60 Hz  
Output : 3-57VDC  
Current : 700mA  
Max. Output Power : 40W  
Protection : Overload, Overcurrent, Short Circuit  
Over Temperature : Mis-Wiring protection (auto shutdown)  
Operating Temperature : -40°C to +50°C

#### Mechanical Specifications

Dimensions : 126 x 66 x 25mm  
Weight : 170g  
Enclosure Rating : IP21  
Mounting : Flange Mount  
Input/Output Connectors : Wago 253/AWG16-20

#### Safety Standards

Listed to UL8750, UL Class 2, Class P  
EMI Compliance : FCC 47CFR Part 15 Class B

#### LED Capacity

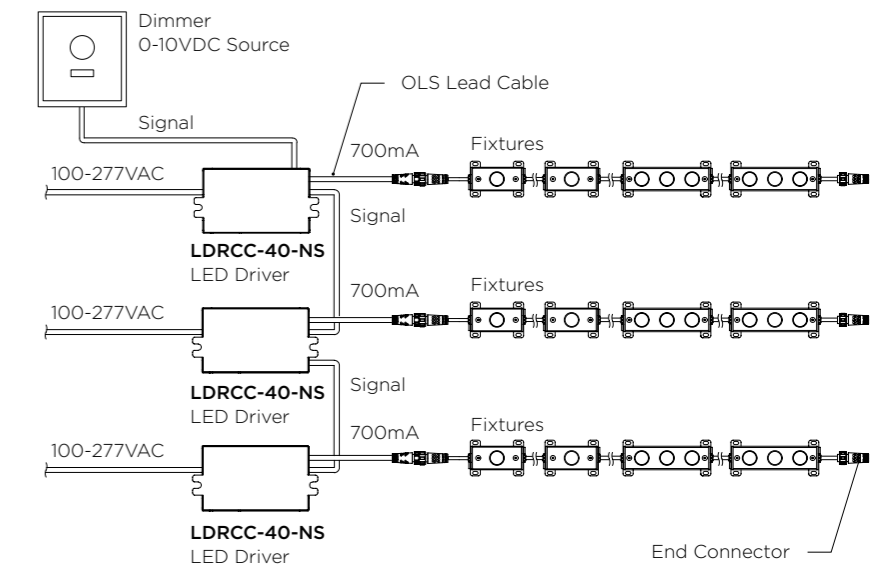
LDRCC-40-NS : 2 to 18 OLS (2.1 Watt) LEDs  
LDRCC-40-NS-D : 1 OLS (2.1 Watt) LED

## Wiring Diagram

### Dimming Control

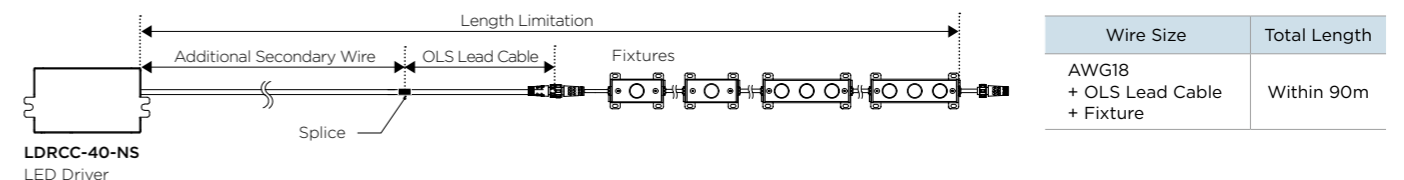
Up to 30 LDRCC-40-NS LED Drivers can be connected in series from a single 0-10 VDC source. The maximum distance from the 0-10VDC source to the last LED driver is 75 meters based upon the use of AWG18 shielded cable.

For applications operating from DMX, Dali or other protocols, check with the dimmer manufacturer to provide a suitable interface to generate a 0-10VDC signal.



### Recommended Lead Wire Size and Length Limitation

The distance from the power supply to the fixture, and the load of the fixture, will determine the proper size of secondary wire. Fixtures require an exclusive lead. If additional wire needs to be attached, refer to the recommendation in this chart.



### ⚠ PRECAUTIONS

1. Read all instructions completely before beginning installation.
2. Turn off electricity before beginning installation.
3. All wiring is to be performed by a qualified electrician.
4. Installation must comply with the National Electrical Code, or all applicable codes.
5. Turn main supply to LED Driver on only after all connections have been made and tested.
6. Use only LED Drivers provided by Tokistar with the system.