

TOKISTAR

PRODUCT GUIDE MICRO SERIES

MICRO DOWNLIGHT

MICRO LIGHT CANNON

MICRO TRACKLIGHT

MICRO UP LIGHT

MICRO FOOTLIGHT

MICRO READING LIGHT "PITAT"

MICRO SPOTLIGHT OUTDOOR

MICRO PINHOLE DOWNLIGHT

MICRO SPOTLIGHT



2F JS Progre, 4-1-23, Heiwajima,
Ota-ku, Tokyo 143-0006, Japan

TEL : +81-3-5763-6121

FAX : +81-3-5763-6130

www.toki.co.jp/tokistar/en/

2024.4 Ver. 4

CONTENTS

MICRO SERIES

- MICRO DOWNLIGHT
- MICRO LIGHT CANNON
- MICRO TRACKLIGHT
- MICRO UP LIGHT
- MICRO FOOTLIGHT
- MICRO READING LIGHT "PITAT"
- MICRO SPOTLIGHT OUTDOOR
- MICRO PINHOLE DOWNLIGHT
- MICRO SPOTLIGHT



MICRO DOWNLIGHT Standard & Square

Product information

▶▶ Page 3-5

Power supplies & Dimming

▶▶ Page 15-16



MICRO FOOTLIGHT

Product information

▶▶ Page 13-14

Power supplies & Dimming

▶▶ Page 15-16



MICRO READING LIGHT "PITAT"

Product information
& Power supply

▶▶ Page 17-18



MICRO LIGHT CANNON

Product information

▶▶ Page 7-8

Power supplies & Dimming

▶▶ Page 15-16



MICRO SPOTLIGHT OUTDOOR

Product information

▶▶ Page 19-22

Power supplies & Dimming

▶▶ Page 23-24



MICRO TRACKLIGHT

Product information

▶▶ Page 9-10

Power supplies & Dimming

▶▶ Page 15-16



MICRO PINHOLE DOWNLIGHT

Product information

▶▶ Page 25-26

Power supplies & Dimming

▶▶ Page 27-28



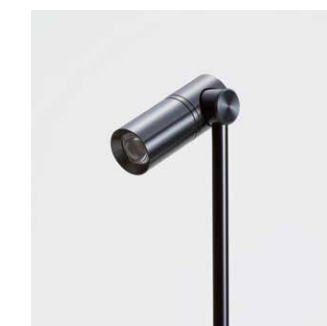
MICRO UP LIGHT

Product information

▶▶ Page 11-12

Power supplies & Dimming

▶▶ Page 15-16



MICRO SPOTLIGHT

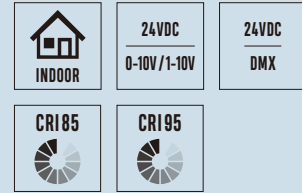
Product information

▶▶ Page 29-30

Power supply & Dimming

▶▶ Page 31

MICRO DOWNLIGHT Standard

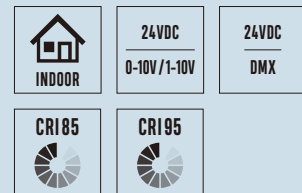


Voltage = 24VDC
 Wattage = 2.6W
 Main Materials = Aluminum & PMMA
 Weight = 50g (Main unit)
 100g (incl.Control Circuit)
 Glare-cut Angle = 35°

MDL02-□□K-□□D-□

LED Color		Beam Angle	Module Color
CRI85	CRI95	16D : 16°	B : Black
27K : 2700K	HC27K	24D : 24°	S : Silver
30K : 3000K	HC30K	30D : 30°	W : White
35K : 3500K	HC35K		
40K : 4000K	HC40K		
50K : 5000K	HC50K		

MICRO DOWNLIGHT Square



Voltage = 24VDC
 Wattage = 2.6W
 Main Materials = Aluminum & PMMA
 Weight = 50g (Main unit)
 100g (incl.Control Circuit)
 Glare-cut Angle = 35°

MDS01-□□K-□□D-□

LED Color		Beam Angle	Module Color
CRI85	CRI95	16D : 16°	B : Black
27K : 2700K	HC27K	24D : 24°	W : White
30K : 3000K	HC30K	30D : 30°	
35K : 3500K	HC35K		
40K : 4000K	HC40K		
50K : 5000K	HC50K		

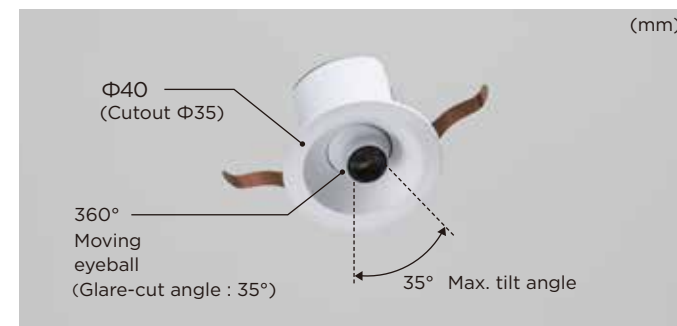


The SG Club

MD01-2200K-30D-B-GCH (Custom color temp.)
 Interior design : THE WHOLEDISIGN INC.
 Lighting design : Lightmoment Inc.

System Features

Point 01 Minimal size,
 Powerful performance



These Micro fixtures discreetly blend into any setting. Pivoting eyeballs in the housing can rotate 35° in all directions.

Point 02 Increased light output increases
 design options



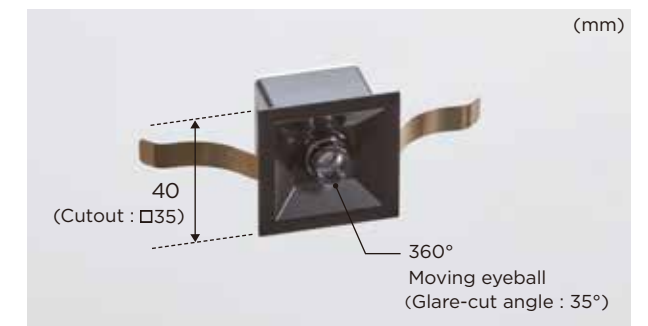
MITSUBISHI ESTATE HOME Komazawa Stage 1 Home Gallery

MDL01-27K-30D-B
 Design : MITSUBISHI ESTATE HOME CO.,Ltd.

The light intensity has been increased 140% in comparison to previous fixtures while maintaining the same size. This means it can not only be used for lighting objects, it can also be used as a ceiling fixture in restaurants.

High color rendering versions are ideal for use in art galleries and museums.

Point 03 In line use is unique to
 the square shape



The new "square type" Micro Downlight is suitable for use in luxurious hotels as well as solemn Japanese venues. Choose the square or round fixtures based on your design needs.



The true value and beauty of the square design is the clean appearance when 2 or 3 are used in line.

Recommended uses for this series

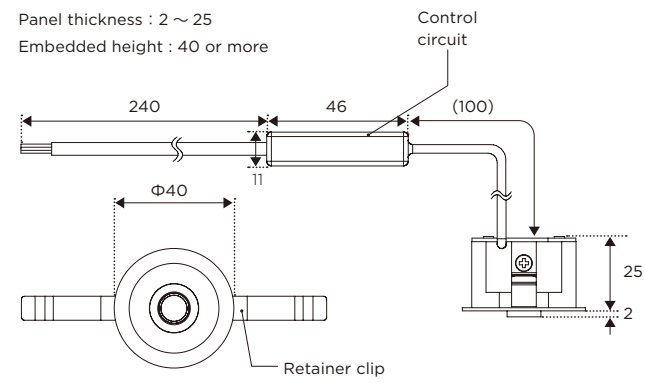
1. Incorporation into shelves, cabinetry and display cases
2. Restaurants and bars with lower ambient light levels
3. Hotel guest room lights and reading lights

Specifications

(mm)

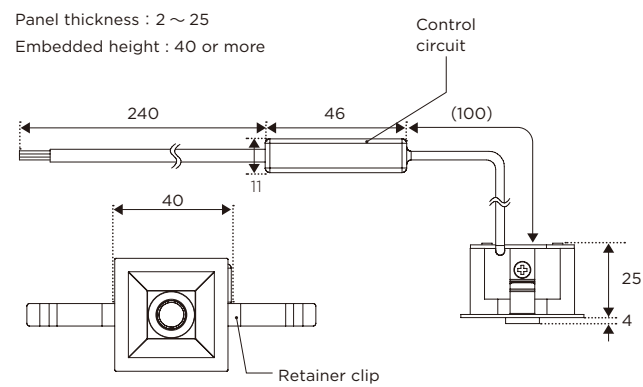
Standard

Cutout : $\Phi 35$
 Panel thickness : 2 ~ 25
 Embedded height : 40 or more



Square

Cutout : $\square 35$
 Panel thickness : 2 ~ 25
 Embedded height : 40 or more



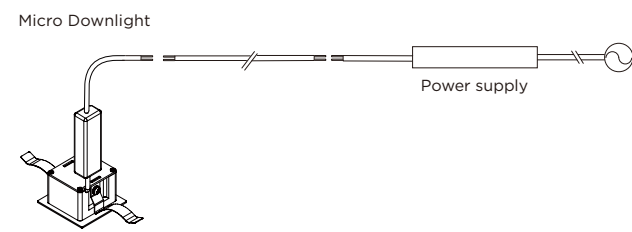
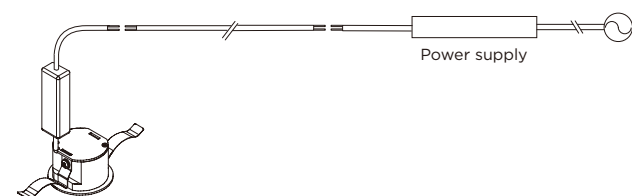
Light Distribution

All values shown are for 3000K modules ※The values in parentheses are CRI95, 3000K modules

	16D 100 lm (77 lm)	24D 100 lm (77 lm)	30D 82 lm (63 lm)
500	$\Phi 140$ 2451(1887)	$\Phi 230$ 1419(1092)	$\Phi 270$ 789(606)
1000	$\Phi 290$ 613(472)	$\Phi 460$ 355(273)	$\Phi 550$ 197(152)
1500	$\Phi 430$ 272(210)	$\Phi 690$ 158(121)	$\Phi 820$ 88(67)
2000	$\Phi 580$ 153(118)	$\Phi 920$ 89(68)	$\Phi 1090$ 49(38)
2500	$\Phi 720$ 98(75)	$\Phi 1150$ 57(44)	$\Phi 1370$ 32(24)
Distance [mm]	Illuminance [lx]		

Product Components

Micro Downlight requires power supplies.

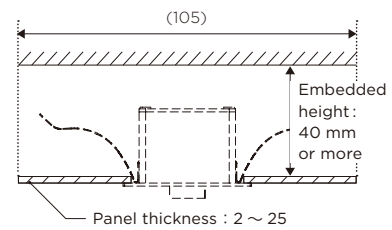


No longer than AWG20×3C 50m

Installation

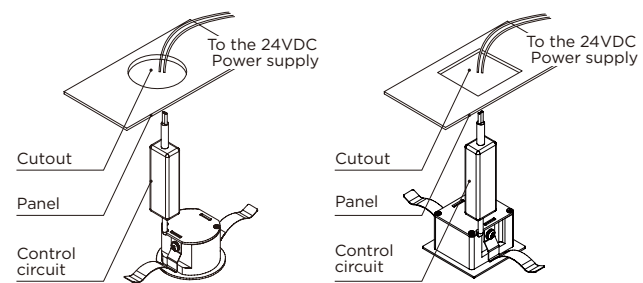
(mm)

The power supply cannot be installed through the cutout ($\Phi 35$ / $\square 35$)



Not suitable for use with insulating material construction. To insert the power supply through cutout, the ceiling height must be 200mm or more.

No longer than AWG20×3C 50m



Refer to Page 15-16 for the power supplies and dimming of Micro Downlight.

MICRO LIGHT CANNON



INDOOR	24VDC 0-10V/1-10V	24VDC DMX
CRI85	CRI95	

Voltage = 24VDC
Wattage = 2.6W
Main Materials = Aluminum & PMMA
Weight = 33g (Main unit)
330g/m (rail)
Glare-cut Angle = 30°



Yutenji

MLC01-30K-24D-B
Lighting design : Light Meister Co.,Ltd.

MLC02-□□K-□□D-□

LED Color		Beam Angle	Module Color
CRI85	CRI95	16D : 16°	B : Black
27K : 2700K	HC27K	24D : 24°	PW : Pure White
30K : 3000K	HC30K	30D : 30°	
35K : 3500K	HC35K		
40K : 4000K	HC40K		
50K : 5000K	HC50K		

Mounting parts

MIN-TK24V-※ (※Rail color : B,PW)	Minimal track rail
----------------------------------	--------------------

Manufacturing range : 0.2m to 2.4m
In increments : 0.1 m (10cm)
Accessories : Mounting clips

MIN-LC-※ (※ Color : B,PW)	Feeder set
---------------------------	------------

One feeder set is required per minimal track rail.
The feeder set is installed in the track rail at the factory.

Option

DIM-MGSTK	Individual dimming magnet
-----------	---------------------------

System Features

Point
01

A small refined profile



LED colors can now be selected from our standard type (CRI85) that emphasizes brightness and the hi color (CRI95) that emphasizes color rendering.

Point
02

Unique dimming capabilities



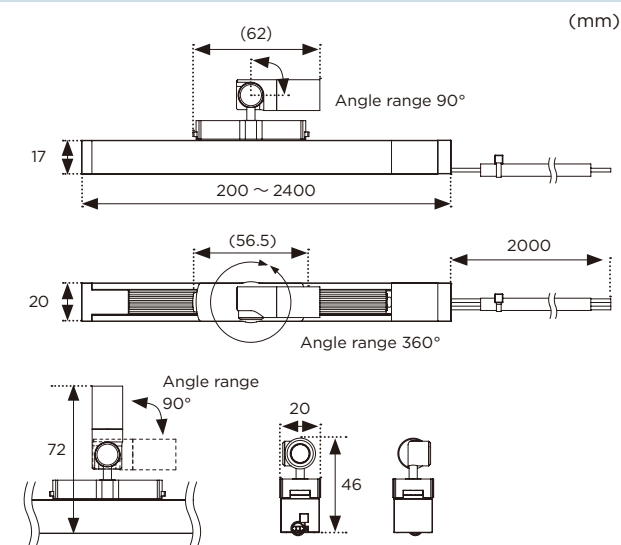
Micro Light Cannon is fully dimmable. It may be fluidly dimmed from our standard dimming system. It also has the unique ability to independently address each LED module on a fixture with just the tap of our dimming magnet to the side of each module.

※ Product number : DIM-MGSTK

Recommended uses for this series

1. Incorporation into shelves, cabinetry and display cases
2. Highlighting artwork
3. Restaurants & bars

Specifications



Light Distribution

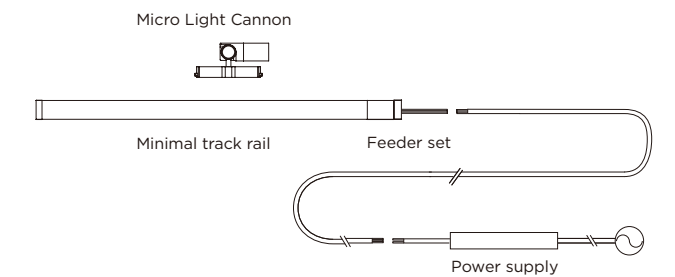
All values shown are for 3000K modules ※The values in parentheses are CRI95, 3000K modules

	16D	24D	30D
	114 lm (103 lm)	114 lm (103 lm)	95 lm (76 lm)
500	Φ150 — 2945(2661) Φ250 — 1529(1382) Φ280 — 986(788)		
1000	Φ300 — 736(665) Φ490 — 382(345) Φ570 — 246(197)		
1500	Φ450 — 327(296) Φ740 — 170(154) Φ850 — 110(88)		
2000	Φ600 — 184(166) Φ990 — 96(86) Φ1130 — 62(49)		
2500	Φ750 — 118(106) Φ1240 — 61(55) Φ1410 — 39(32)		
	Distance [mm]	Illuminance [lx]	

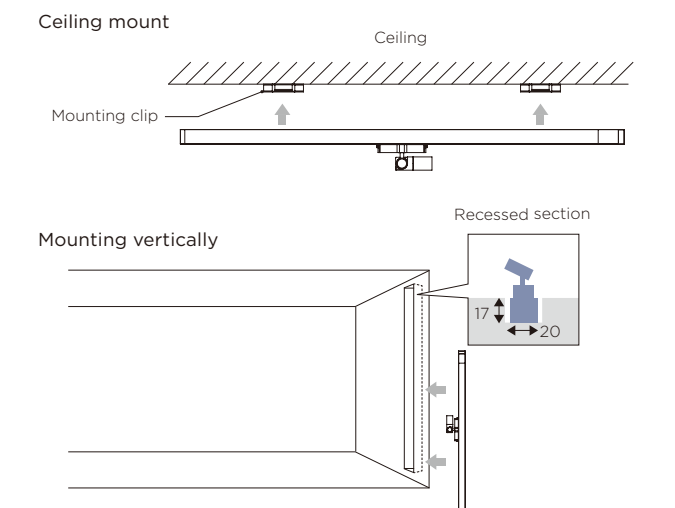
Refer to Page 15-16 for the power supplies and dimming of Micro Light Cannon.

Product Components

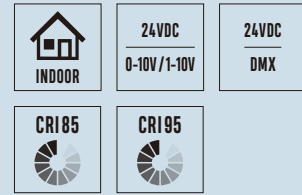
Micro Light Cannon consists of a miniature track rail, feeder sets and power supplies. Feeder sets are factory installed and shipped with the track rail.



Installation



MICRO TRACKLIGHT



Voltage = 24VDC
 Wattage = 1.6W
 Main Materials = Aluminum, PMMA & PC
 Weight = 20g
 Glare-cut Angle = 35°



Ichikawa Home Gallery

RS02-3000K-24D-B
 Design : MITSUBISHI ESTATE HOME CO.,Ltd.

MTK01-□□K-□□D-□-H*

LED Color		Beam Angle	Module Color
CRI85	CRI95	16D : 16°	B : Black
27K : 2700K	HC27K	24D : 24°	S : Silver
30K : 3000K	HC30K	30D : 30°	W : White
35K : 3500K	HC35K		
40K : 4000K	HC40K		
50K : 5000K	HC50K		

* Glare-cut hood

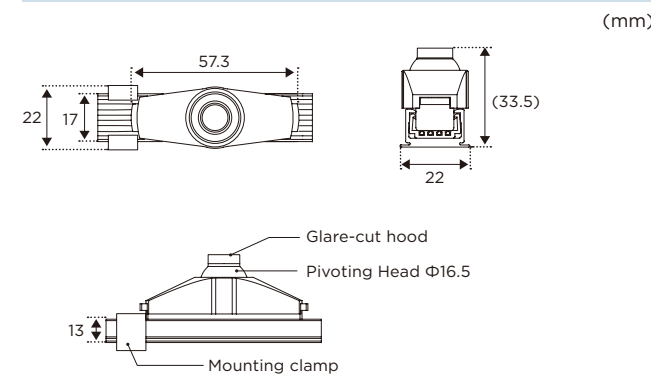
Mounting parts

MTK-TK*1.25m (*Color : BK, WH)	Dedicated track rail (1.25m)	1.25m fixed length
MTK-TK*2.45m (*Color : BK, WH)	Dedicated track rail (2.45m)	2.45m fixed length
MTK-LC*-CLB (*Color : BK, WH)	Feed connector	

Option

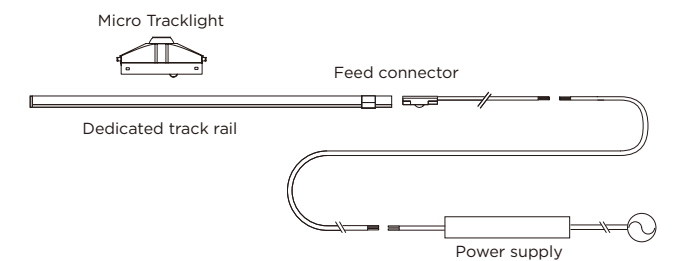
MTK-CVBK (Black color Only)	Rail cover	1m fixed length
MTK*-FC200 (*Color : BK, WH)	Flexible connector	Connecting cable length 200mm

Specifications



Product Components

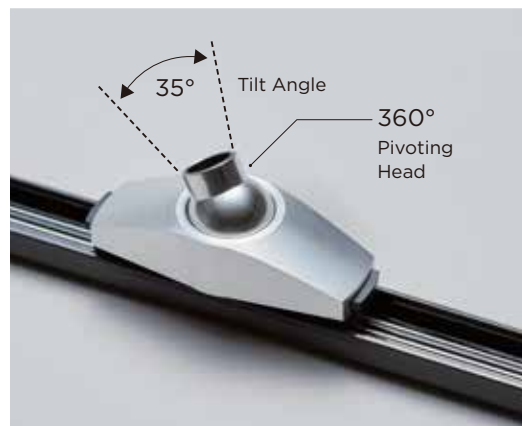
Micro tracklight requires a dedicated track rail, feed connectors and power supplies.



No longer than AWG20×3C 50m

System Features

Point 01 Minimal in size, versatile in performance



The track rail can be mounted horizontally or vertically. LED modules with different lens styles can be used on the same track to light objects at various distances. The modules are fitted with a hood to reduce glare.

Point 02 The low-profile form is ideal for under shelf lighting



The low profile fixtures are easily hidden behind ledges. The dedicated track rail is easily installed with mounting clamps and screws. LED modules are easily attached, detached and repositioned on the rail. The number of modules on a track can be changed.

Recommended uses for this series

1. Incorporation into shelves, cabinetry and display cases
2. Built-in curtain box
3. Highlighting artwork
4. Integration into a fixture louver

Light Distribution

All values shown are for 3000K modules ※The values in parentheses are CRI95, 3000K modules

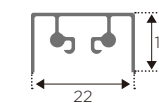
	16D	24D	30D
	107 lm (82 lm)	107 lm (82 lm)	88 lm (68 lm)
100	Φ30 — 65500 (50300)	Φ46 — 37900 (29100)	Φ55 — 21200 (16400)
200	Φ60 — 16400 (12600)	Φ92 — 9490 (7270)	Φ109 — 5300 (4090)
300	Φ90 — 7290 (5580)	Φ138 — 4220 (3230)	Φ164 — 2350 (1820)
400	Φ120 — 4100 (3140)	Φ184 — 2370 (1820)	Φ218 — 1320 (1020)
500	Φ140 — 2620 (2010)	Φ230 — 1500 (1160)	Φ270 — 847 (655)
	Distance [mm]	Illuminance [lx]	

Refer to Page 15-16 for the power supplies and dimming of Micro Tracklight.

Option

Rail cover

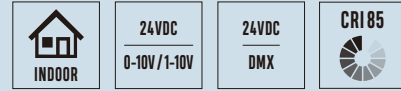
* Product number : MTK-CVBK



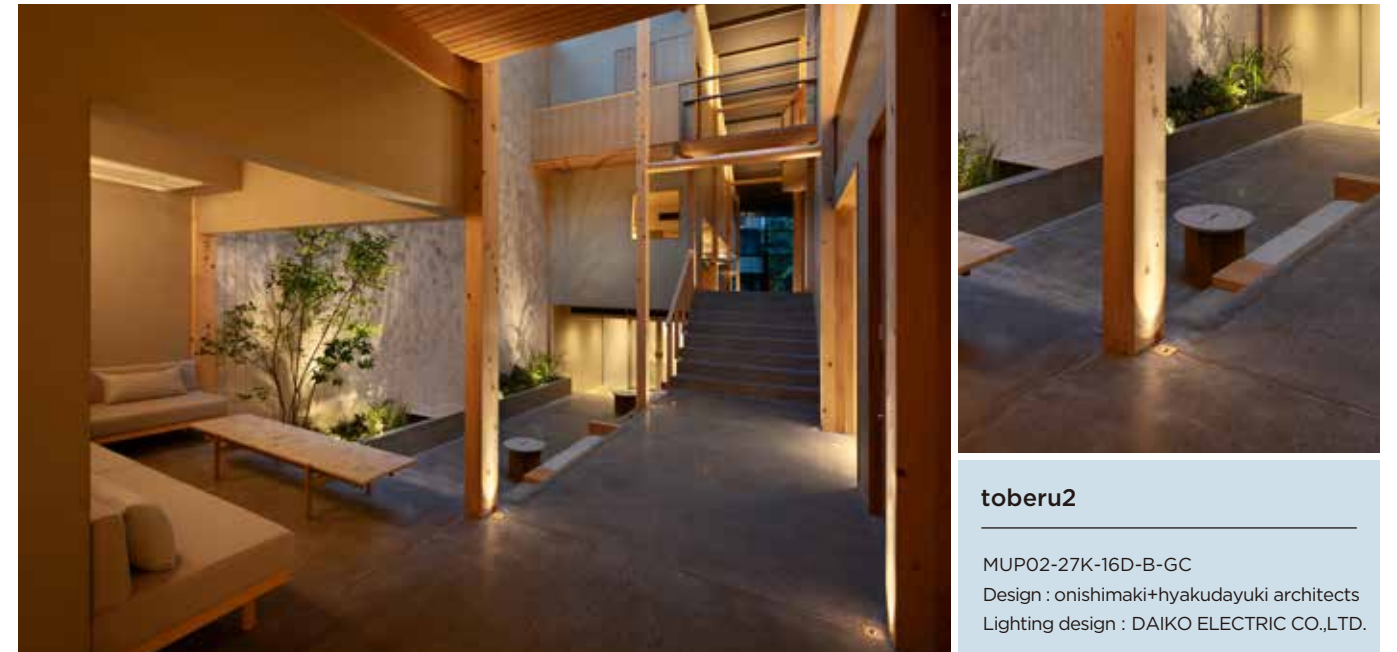
The low profile fixtures are easily hidden behind ledges. The dedicated track rail is easily installed with mounting clamps and screws. LED modules are easily attached, detached and repositioned on the rail. The number of modules on a track can be changed.

* A 1m length is available and can be cut to length on a job site.

MICRO UP LIGHT



Voltage = 24VDC
 Wattage = 2.6W
 Main Materials = Aluminum & Tempered glass
 Weight = 40g (Main unit)
 40g (Nut & Spacer)
 Glare-cut Angle : Standard = 38°
 Glare-cut Glass type = 57°



toberu2
 MUP02-27K-16D-B-GC
 Design : onishimaki+hyakudayuki architects
 Lighting design : DAIKO ELECTRIC CO.,LTD.

MUP02-□□K-□□D-□

LED Color	Beam Angle	Module Color
27K : 2700K	16D : 16°	B : Black
30K : 3000K	24D : 24°	S : Silver
35K : 3500K		
40K : 4000K		

MUP02-□□K-□□D-□-GC*

LED Color	Beam Angle	Module Color
27K : 2700K	16D : 16°	B : Black
30K : 3000K	24D : 24°	S : Silver
35K : 3500K		
40K : 4000K		

* Glare-cut glass

System Features

Point 01 Smallest size floor recessed up light



CG image

Introducing an ultra-compact 25 mm diameter fixture designed to be embedded in floors. Fixtures have a minimal presence, but produce distinctive results.

Point 02 A build-in light source for variety of applications

Micro Up Light may also be incorporated into cabinetry and pendants.
 Glare-cut angle : 38°

Point 03 Improved performance with less glare
 Optional glare-cut type available

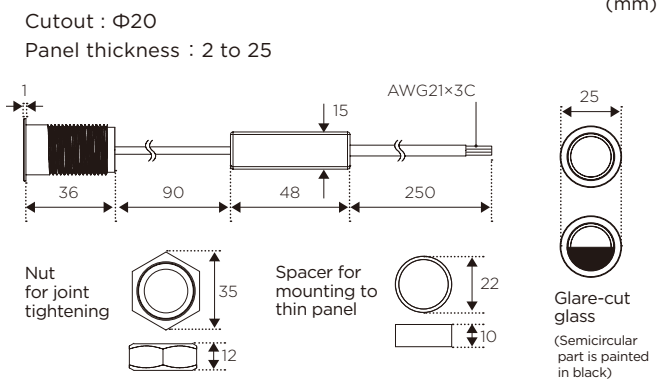


Upgraded with the special low-reflecting glareless cone makes an effective performance ever.
 Glare-cut glass type
 Glare-cut angle : 57°

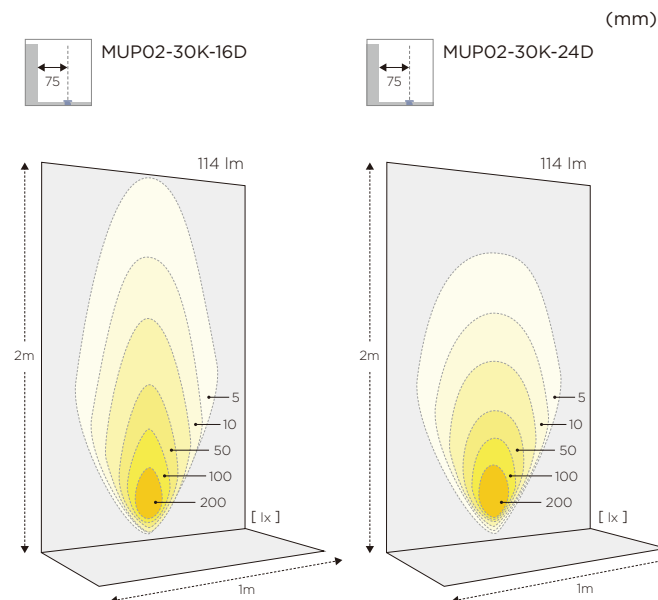
Recommended uses for this series

1. Incorporation into shelves, cabinetry and display cases
2. Uplight

Specifications

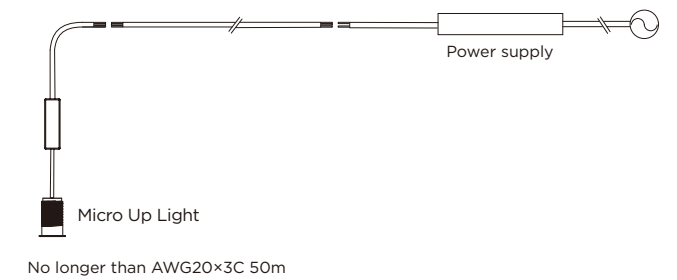


Light Distribution



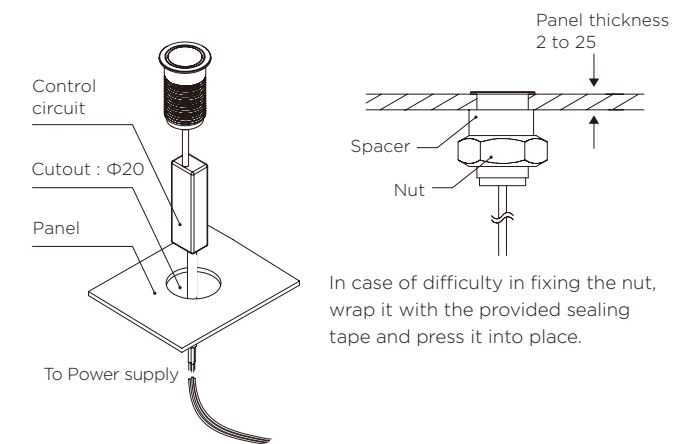
Product Components

Micro Up Light requires power supplies.



Installation

Power supply cannot be installed through the $\Phi 20$ mm cutout.



Refer to Page 15-16 for the power supplies and dimming of Micro Up Light.

MICRO FOOTLIGHT



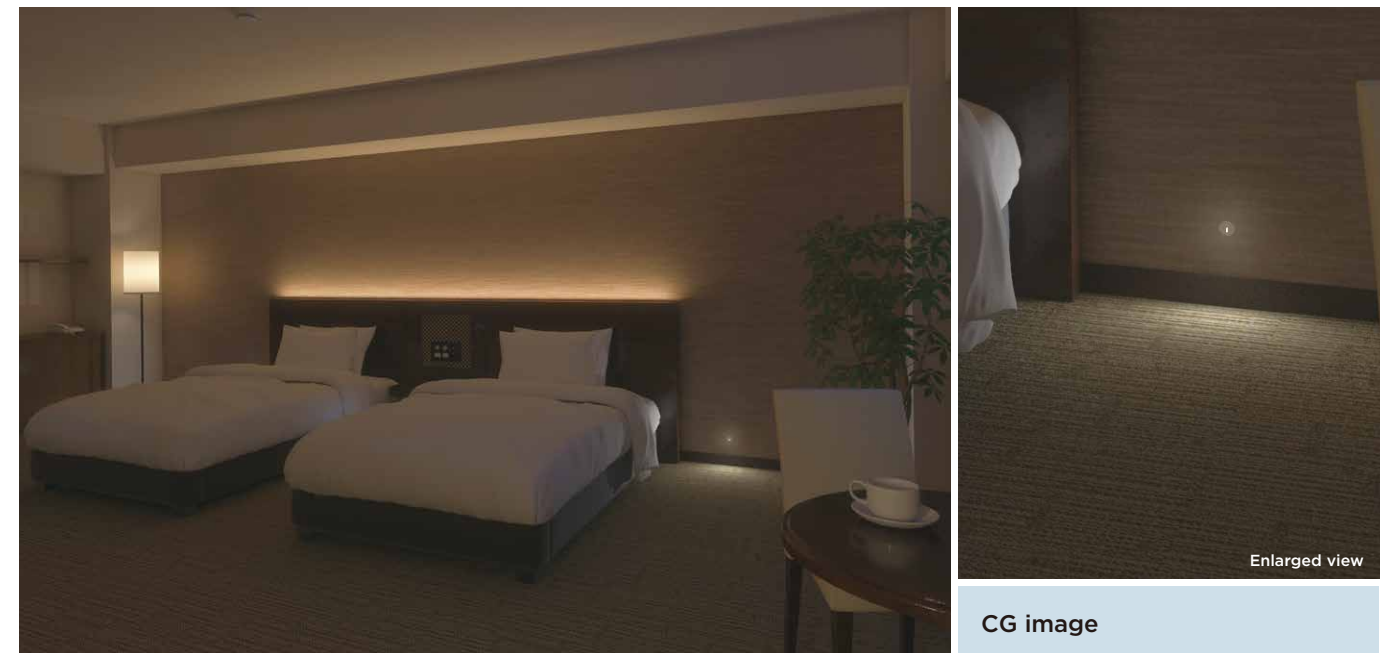
INDOOR

24VDC

0-10V / 1-10V

CRI85

Voltage = 24VDC
 Wattage = 1.5W
 Main Materials = Aluminum
 Weight = 30g



CG image

UPDATE

MFL24-□□K-□

LED Color	Cover Color
22K : 2200K	B : Black
27K : 2700K	W : White
30K : 3000K	

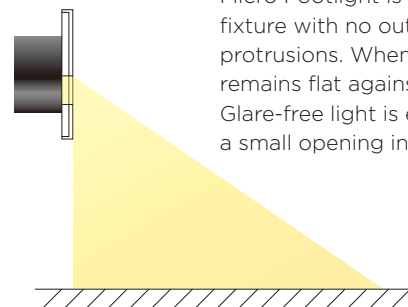
System Features

Point 01 A new Concept of Light and Design in a small package



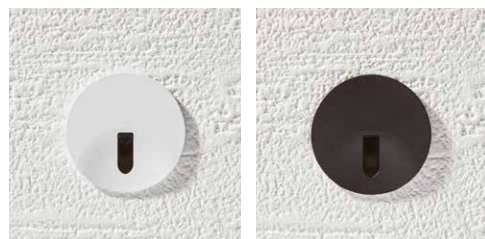
Conventional footlights were originally designed to meet outlet box specifications, with overly bright and large ones being typical. Our unique Micro Footlight is not limited to traditional design concepts.

Point 03 Glare-friendly optical design



Micro Footlight is a compact fixture with no outward protrusions. When installed, it remains flat against the wall. Glare-free light is emitted through a small opening in the cover.

Point 02 Cover Selection

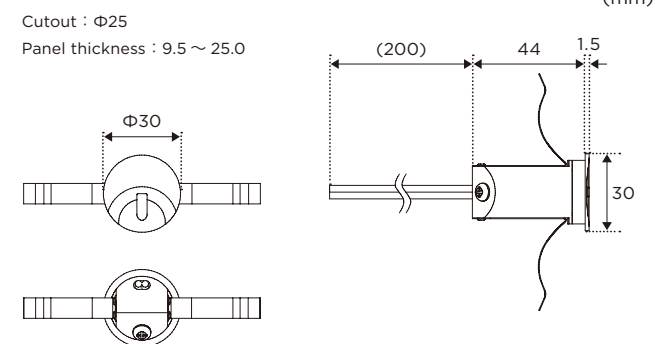


Decorative covers are available in two standard colors. Custom colors, and custom plating can also be provided.

Recommended uses for this series

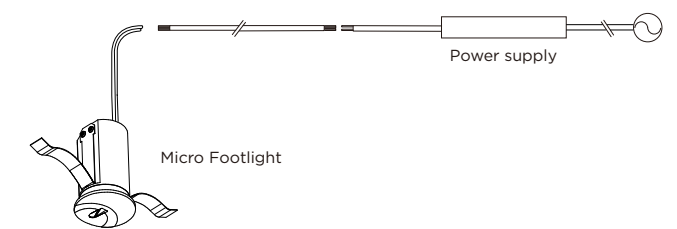
1. Hotel guestrooms
2. Bedrooms
3. Corridors and stairs
4. Restaurants and bars
5. Lower ambient light areas

Specifications



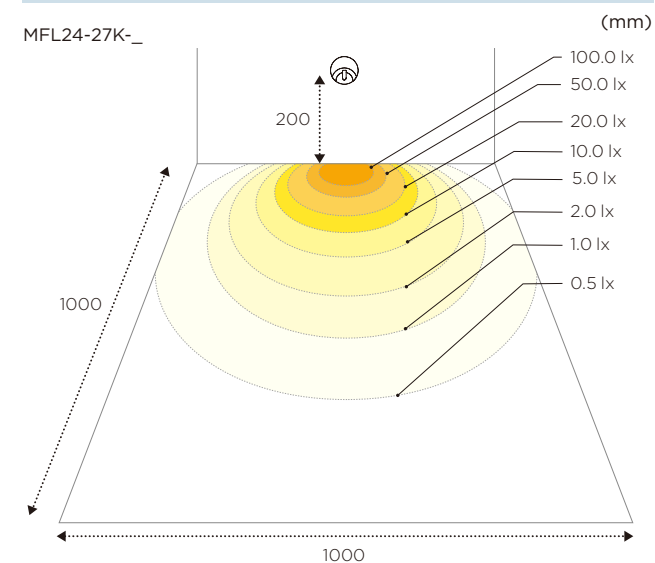
Product Components

Micro Footlight requires power supplies.



No longer than AWG20×3C 30m

Light Distribution



Refer to Page 15-16 for the power supplies and dimming of Micro Footlight.

Power Supplies

24VDC Drivers

LDR24-16

Specifications
 Max. Output Current : 0.67A
 Max. Output Power : 16W
 Protection: Overload, Over Voltage, Short Circuit, Over Temperature
 Working Temperature : -30°C-+50°C

Mechanical Specifications

Dimensions : W40 x L150 x H33mm
 Weight : 210g
 Enclosure Rating : Suitable for use in Dry and Damp Locations/IP30 Rated
 Mounting : Flange Mount

LED Module Capacity

2.6Watt LED Modules : 6 each
 1.6Watt LED Modules : 10 each
 1.5Watt LED Modules : 10 each

LDR24-25

Specifications
 Max. Output Current : 1.05A
 Max. Output Power : 25W
 Protection : Overload, Over Voltage, Short Circuit, Over Temperature
 Working Temperature : -30°C-+50°C

Mechanical Specifications

Dimensions : W40 x L150 x H33mm
 Weight : 360g
 Enclosure Rating: Suitable for use in Dry, Damp and Wet Locations/IP67 Rated
 Mounting : Flange Mount

LED Module Capacity

2.6Watt LED Modules : 9 each
 1.6Watt LED Modules : 15 each
 1.5Watt LED Modules : 16 each

LDR24-40

Specifications
 Max. Output Current : 1.67A
 Max. Output Power : 40W
 Protection : Overload, Over Voltage, Short Circuit, Over Temperature
 Working Temperature : -30°C-+50°C

Mechanical Specifications

Dimensions : W43 x L163 x H33mm
 Weight : 440g
 Enclosure Rating : Suitable for use in Dry, Damp and Wet Locations/IP67 Rated
 Mounting : Flange Mount

LED Module Capacity

2.6Watt LED Modules : 15 each
 1.6Watt LED Modules : 25 each
 1.5Watt LED Modules : 26 each

Common Specifications

Input Range : 100-240VAC
 Frequency Range : 50/60 Hz
 Output : 24VDC (+/- 4%)

LDR24-16 Safety Standards

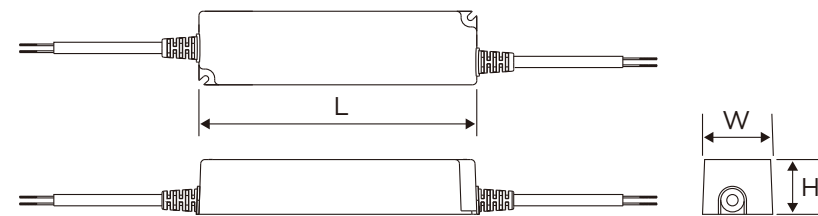
UL8750, CSA C22.2 No. 250.0-08, EN61347-1, EN61347-2-13 independent, EN62384, J61347-1, J61347-2-13 approved, Design refer to UL60950-1, TUV EN60950-1

LDR24-25 Safety Standards

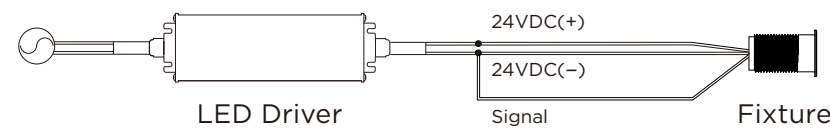
UL8750, CSA C22.2 No. 250.0-08, EN61347-1, EN61347-2-13 independent, EN62384, J61347-1, J61347-2-13 approved, IP67 approved; Design refer to UL60950-1, TUV EN60950-1

LDR24-40 Safety Standards

UL8750, CSA C22.2 No. 250.0-08, EN61347-1, EN61347-2-13 independent, EN62384, IP67, J61347-1, J61347-2-13 approved; Design refer to UL60950-1, TUV EN60950-1



Non-dimming

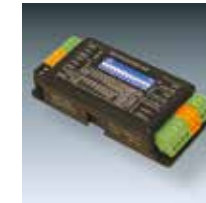


Do not turn fixtures on until the dimming wire is connected. Connect the signal wire to the negative wire when not dimming the fixture.

Dimming

LC-1CH-MULTI Dimming System/24VDC

Tokistar's LC-1CH-MULTI Dimmer Pack is compatible with industry-standard dimmers working on DMX or 0-10/1-10VDC protocol. In the manual mode, a pre-set light level can be set without the use of an external dimmer.



LC-1CH-MULTI

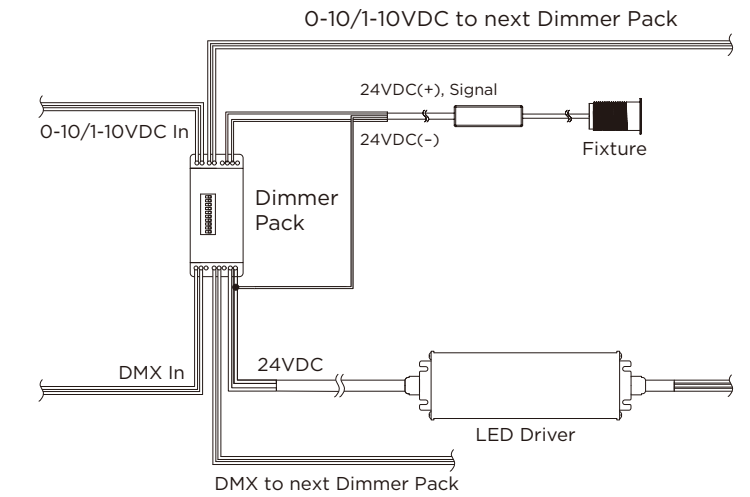
Technical Specifications :
 Max. Load : 96W @ 24VDC
 Environmental Rating : Dry Location/IP20
 Dimensions : W40 x L90 x H20mm
 Weight : 50g
 Listing : ETL Listed/CE Certified
 Operating Temperature : 0-+50°C

DMX Mode

In this mode, dimmer packs are addressable and may be used with any controller working on DMX protocol. Up to 36 dimmer packs may be connected in series. For applications exceeding 36 dimmer packs, a splitter is required. Consult factory on details of DMX Splitters.

Analog Mode 0-10/1-10VDC

For operation from devices using 0-10/1-10VDC protocol, up to 10 dimmer packs may be connected in series. For applications exceeding 10 dimmer packs, an additional feed from the analog dimming device is required.



Manual Mode

You may select a light intensity at which the fixtures operate. In this case, no external dimming device is required.

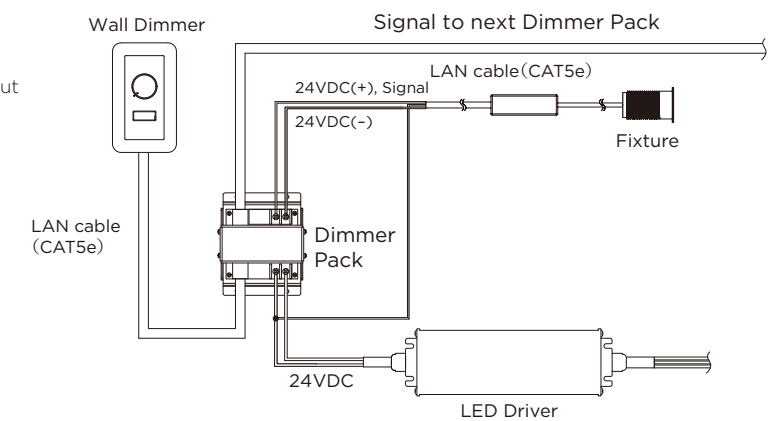
LC Dimming System/24VDC

This proprietary dimming system provides full-range dimming of LEDs from our LED drivers. The system components connect with CAT5e cable. Up to 25 dimmer packs may be connected in series if the total length of all CAT5e cable does not exceed 50 meters from the wall dimmer to the last dimmer pack. CAT5e cables are required to units.



LC-1CH-DPJ

Each dimmer pack receives a 24VDC input from an LED driver and sends a PWM output to the fixture. Logic input and output is communicated through CAT5e cable. Max. Load : 96W @ 24VDC
 Dimensions : W89 x L103 x H36mm



MICRO READING LIGHT "PITAT"



Voltage = 24VDC
 Wattage = 1.6W
 Main Materials = Aluminum & PMMA
 Weight = 85g



Isawa Onsen Hotel Yamanami

MRL01-27K-16D-B
 Design : Ishii Architect & Associates,
 Tokyo Office

MRL01-□□K-□□D-B

LED Color	Beam Angle	Fixture Color
27K : 2700K	16D : 16°	B : Black
30K : 3000K	24D : 24°	

LPS-8.4-24 AC Adapter

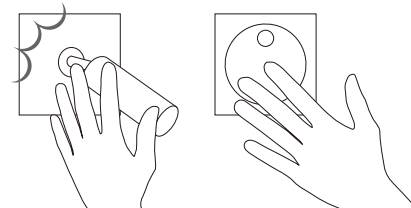
System Features

Point 01

Fits snugly and is hard to damage



The stylish design fits neatly in the wall when not in use.

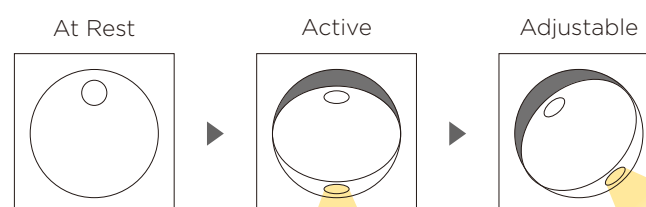


Protruding reading lights may become damaged. Flush mounting design conceals fixture.

Resting flat against the wall makes it difficult for hands or objects to make contact and damage fixtures.

Point 02

Auto On/Off by opening and closing Easily adjustable up to 180 degrees



Point 03

Custom surface colors

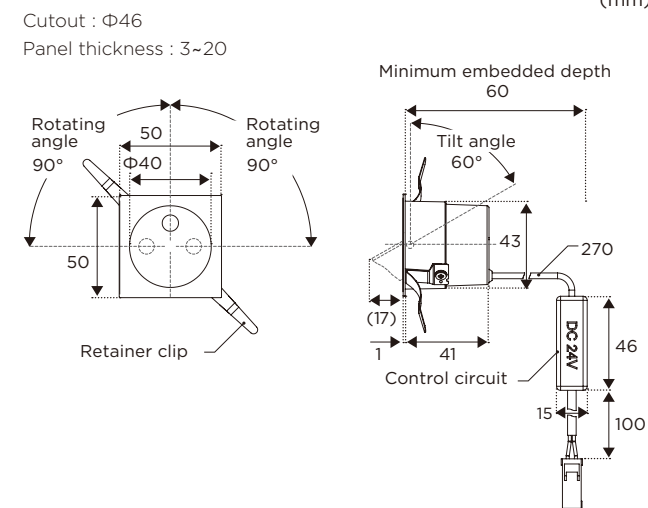


Surface treatments may be customized to match the interior finish. Custom paint or plating is available.

Recommended uses for this series

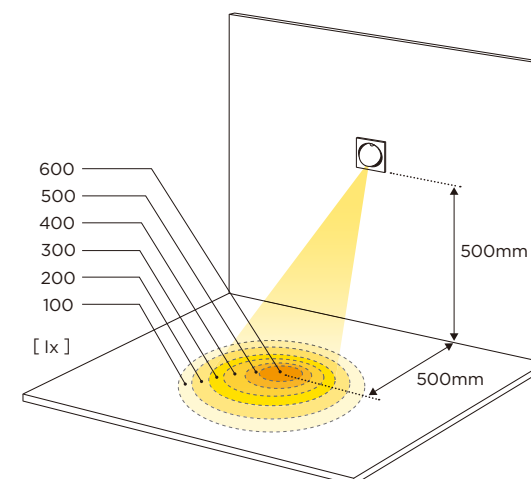
1. Hotel guest room lights and reading lights
2. In corporation into display cases

Specifications



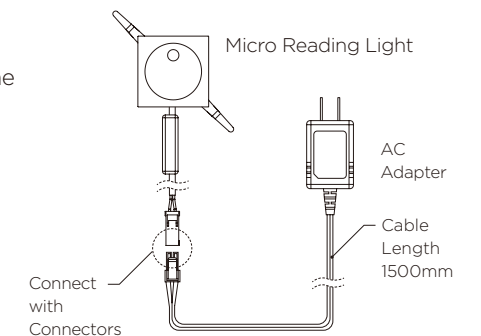
Light Distribution

The value shown is for 3000K and 24D module.



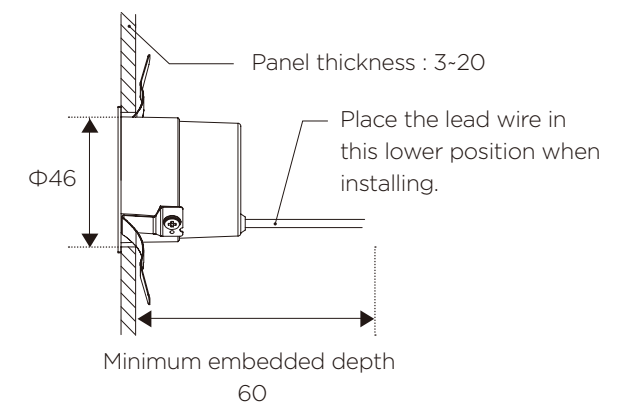
Product Components

Micro Reading Light requires a power supply. One fixture per power supply is needed. The figure to the right shows a non-dimming installation. Please contact us for details on dimming.



Installation

Panel thickness can be from 3 to 20 mm. A $\Phi 46$ mm cutout is required. Make sure the cutout is of sufficient strength and there is adequate space for mounting.



MICRO SPOTLIGHT OUTDOOR



Current = 700mA
 Wattage = 2.1W
 Main Materials = Aluminum & Tempered glass
 Weight = 150g (Main unit)
 Glare-cut Angle = 35°

System Features

Point 01

A micro-sized spotlight that blends into the environment



We are launching a new outdoor lighting fixture based on our Micro Series. It is ideal for use in areas concerned with environmental impact.

Recommended uses for this series

1. Commercial courtyards
2. Rooftop gardens
3. Open-air cafes & restaurants

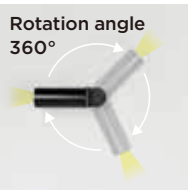
Point 02

Glareless & wide range of motion

Glare-cut angle 35°



Rotation angle 360°



Tilt angle 180°



A black cone with a special finish is standard. In addition, the optical design limits glare. With a wide range of movement and no restrictions on mounting direction, you have more flexibility in your lighting design.

Point 03

UPDATE A wide range of designs to choose from to suit your needs

In addition to the original two types with stakes, Standard with Tree Band and Standard with Base Plate were newly added to our OSP series.

Please refer to the next page for the characteristics of each type and how to specify.



Standard with Tree Band



Standard with Base Plate

Standard

OSP01-□□K-□□D-B

LED Color	Beam Angle	Module Color
-----------	------------	--------------

27K : 2700K	15D : 15°	B : Black
30K : 3000K	30D : 30°	
40K : 4000K		



Standard with Tree Band **NEW**

OSP01-□□K-□□D-B-TB

LED Color	Beam Angle	Module Color
-----------	------------	--------------

27K : 2700K	15D : 15°	B : Black
30K : 3000K	30D : 30°	
40K : 4000K		



Standard with Stake

OSP01-□□K-□□D-B-SPI

LED Color	Beam Angle	Module Color
-----------	------------	--------------

27K : 2700K	15D : 15°	B : Black
30K : 3000K	30D : 30°	
40K : 4000K		



Standard with Base Plate **NEW**

OSP01-□□K-□□D-B-BP

LED Color	Beam Angle	Module Color
-----------	------------	--------------

27K : 2700K	15D : 15°	B : Black
30K : 3000K	30D : 30°	
40K : 4000K		



Standard with Low Pole and Stake

OSP01-□□K-□□D-B-LP-SPI

LED Color	Beam Angle	Module Color
-----------	------------	--------------

27K : 2700K	15D : 15°	B : Black
30K : 3000K	30D : 30°	
40K : 4000K		



OSP-CON	Connector installation processing
OSP-CON-2m	OSP feed connector with a 2m lead
OSP-TCON	OSP T-branch connector

Option	
OSP-EXT-1m	OSP extension cable 1m
OSP-EXT-5m	OSP extension cable 5m
OSP-EXT-10m	OSP extension cable 10m
OSP-DS	Direct mount spacer



Micro Spotlight Outdoor "OFF"

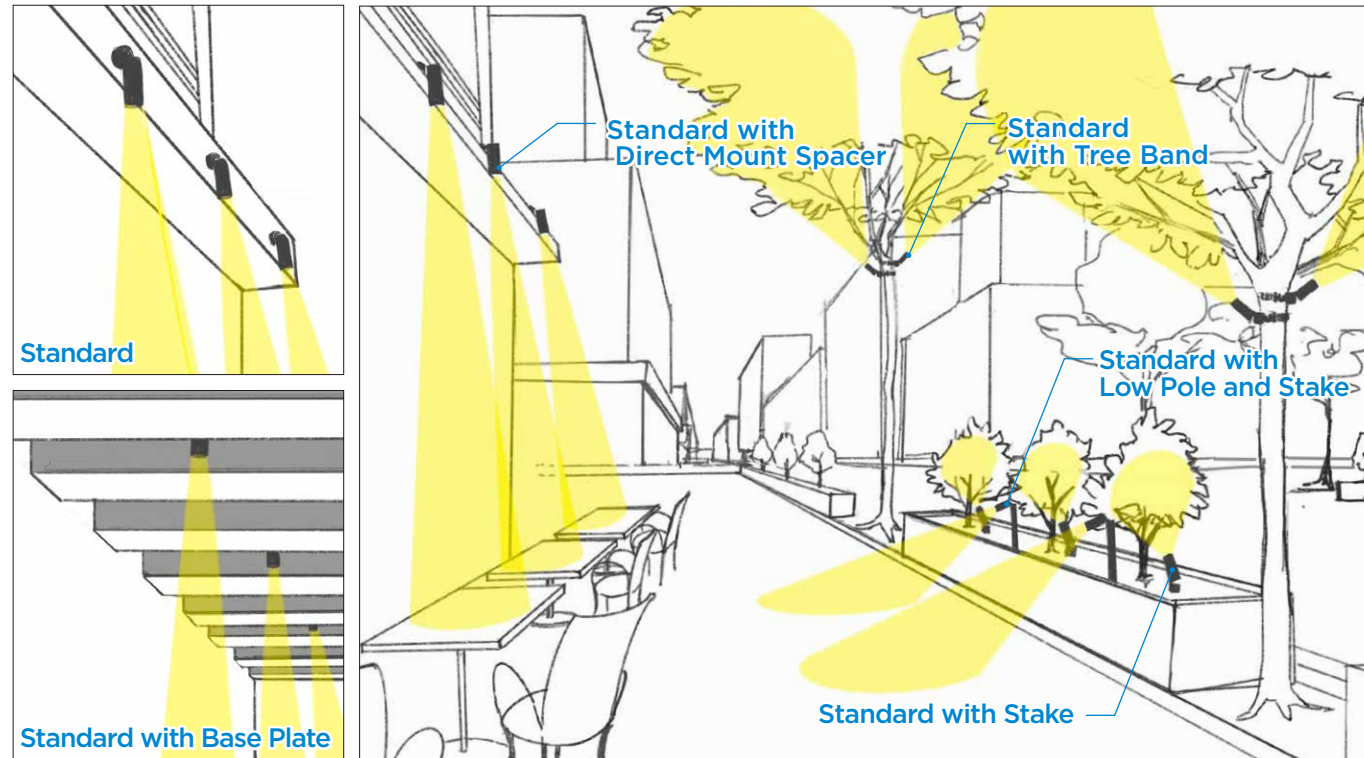


Micro Spotlight Outdoor "ON"

The Gazebo Hayama

OSP01-30K-30D-B

System Features

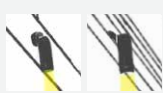


Standard / with Direct Mount Spacer

In the case of direct mounting, connector installation processing is not applicable. The connector does not pass through the power supply hole. If it is difficult to make a hole for a power supply on the mounting surface, the lead wires can be pulled out from the side using a Direct mount spacer (option). In this case, connector installation processing is applicable.

Recommended applications

- Standard : For walls, eaves, parapets, signage
- Standard with Direct Mount Spacer :
 - When hidden wiring is not possible
 - When connector installation processing is needed



Standard



Standard with Direct Mount Spacer



Standard with Stake / with Low Pole and Stake

Two types of stakes with different heights are available. Please select according to your application.

Recommended applications

- with Stake : For planters, and general landscapes
- with Low Pole and Stake : For general landscapes



Standard with Stake



Standard with Low Pole and Stake



Standard with Tree Band



Since it uses soft stainless steel expansion springs, it does not interfere with tree growth and does not damage the epidermis even without curing. Can be used for $\Phi 75$ to $\Phi 125$ mm

Recommended applications

- For lighting up trees
- Easy to attach and detach, making it easy to use even for temporary purposes



Standard with Base Plate



Recommended for saving labor during installations and when the installation area is narrow and difficult to fix. Connector installation processing is also applicable.

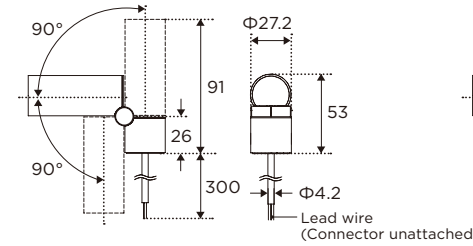
Recommended applications

- For installations between architectural louvers and slit structures
- When installing a large number of units within a limited construction period (time)

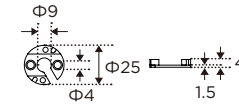


Specifications

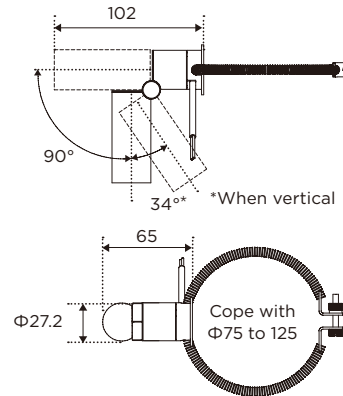
Standard



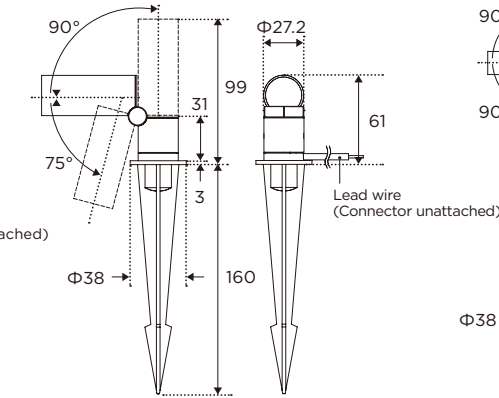
Mount Bracket (Included)



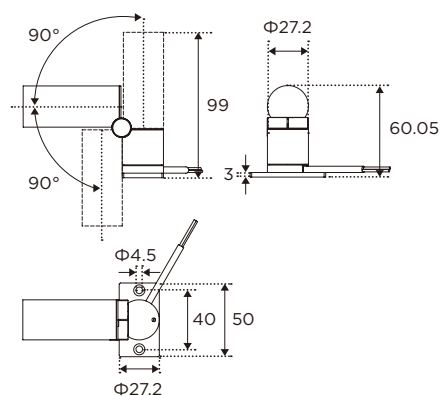
Standard with Tree Band



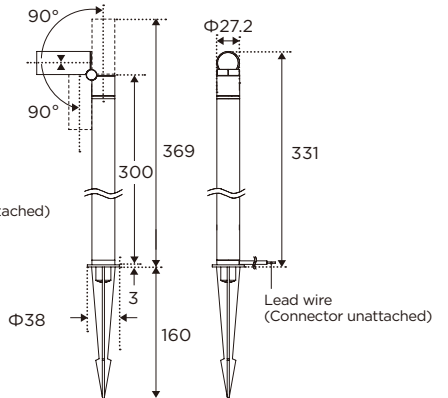
Standard with Stake



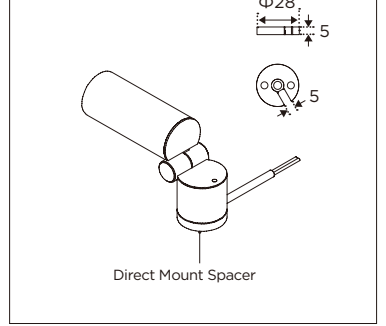
Standard with Base Plate



Standard with Low Pole and Stake



Direct Mount Spacer (Option)



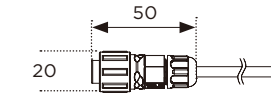
Light Distribution

All values shown are for 3000K modules

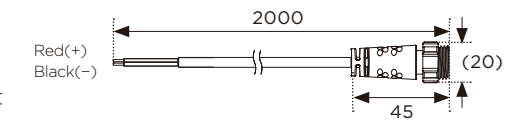
	15D 220 lm	30D 220 lm
1000	$\Phi 270$ 1759	$\Phi 500$ 790
2000	$\Phi 540$ 440	$\Phi 1000$ 197
3000	$\Phi 810$ 195	$\Phi 1510$ 88
4000	$\Phi 1080$ 110	$\Phi 2010$ 49
5000	$\Phi 1350$ 70	$\Phi 2510$ 32
[mm]	[lx]	

OSP Connectors

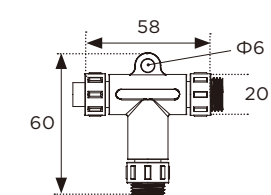
Connector (for installation processing)



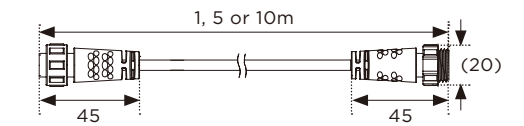
OSP feed connector with a 2m lead



OSP T-branch connector



OSP extension cable 1, 5 or 10m

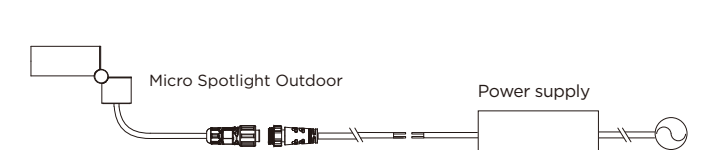


Product Components

Connection without connectors



Connection with the connectors



When connecting two or more fixtures, connector installation processing, extension cables, and T-branch connectors are required for the second and subsequent fixtures.

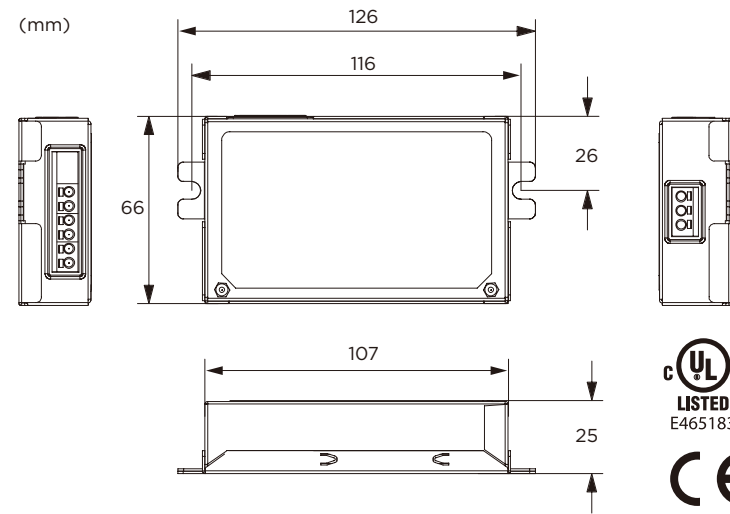
Refer to Page 23-24 for the power supplies and dimming of Micro Spotlight Outdoor.

Power supplies

LDRCC-40-NS(-D)

Our constant current LED Driver operates on the PWM method and accepts input from 0-10VDC dimming controls. The driver has full range dim-to-off capability.

The input is universal ranging from 100 to 277VAC 50/60 Hz.



Specifications

Input Range : 100-277VAC
 Frequency Range : 50/60 Hz
 Output : 3-57VDC
 Current : 700mA
 Max. Output Power : 40W
 Protection : Overload, Overcurrent, Short Circuit
 Over Temperature : Mis-Wiring protection (auto shutdown)
 Operating Temperature : -40°C to +50°C

Mechanical Specifications

Dimensions : 126 x 66 x 25mm
 Weight : 170g
 Enclosure Rating : IP21
 Mounting : Flange Mount
 Input/Output Connectors : Wago 253/AWG16-20

Safety Standards

Listed to UL8750, UL Class 2, Class P
 EMI Compliance : FCC 47CFR Part 15 Class B

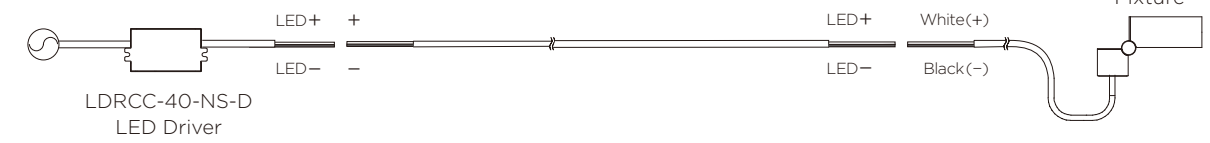
LED Capacity

LDRCC-40-NS-D : 1 OSP (2.1 Watt) LED
 LDRCC-40-NS : 2 to 16 OSP (2.1 Watt) LEDs

Wiring Diagrams

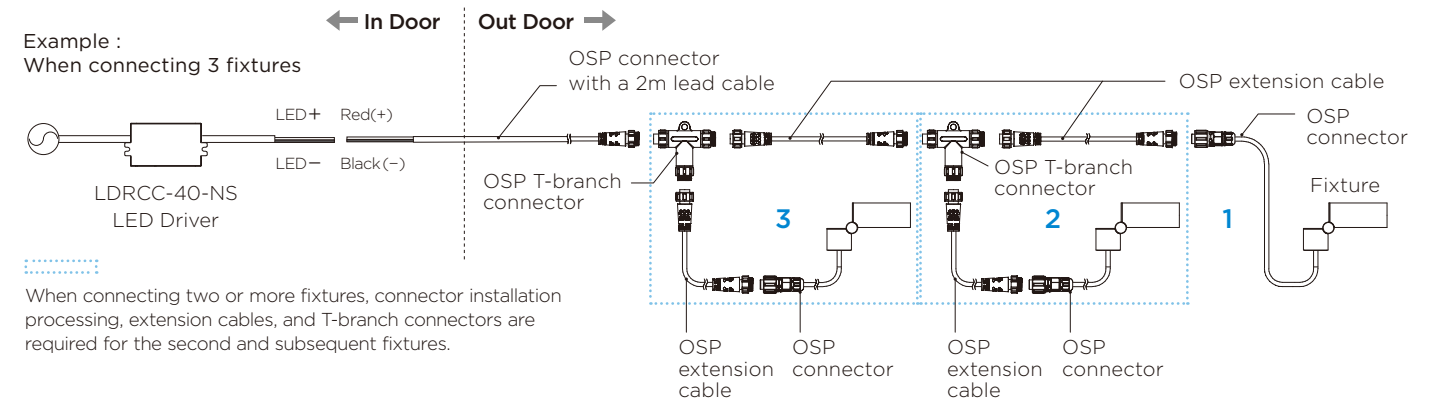
Non-dimming

Without Connector



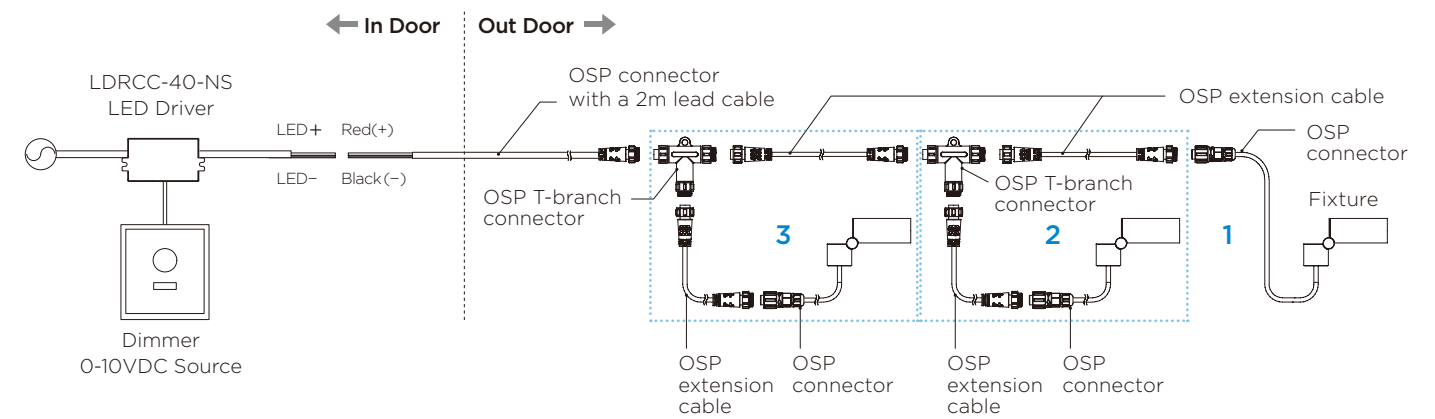
With Connector

Example :
 When connecting 3 fixtures



Dimming Control

Example : When connecting 3 fixtures



Required Extension Cables and Maximum lead length

Catalog #	# of LEDs	Max / Cable length
LDRCC-40-NS-D	1 LED	Total of dedicated extension cables and additional lead (AWG18) on site : 100m
LDRCC-40-NS	2-16LEDs	

⚠ PRECAUTIONS

1. Read all instructions completely before beginning installation.
2. Turn off electricity before beginning installation.
3. All wiring is to be performed by a qualified electrician.

4. Installation must comply with the National Electrical Code or related applicable regulations.
5. Turn main supply to LED Driver on only after all connections have been made and tested.
6. Use only LED Drivers provided by Tokistar with the system.

MICRO PINHOLE DOWNLIGHT



Current = 700mA
 Wattage = 2.1W
 Main Materials = Aluminum & PMMA
 Weight = 40g (Main unit)
 Glare-cut Angle = 35°

MPD02-□□K-□□D-□

LED Color	Beam Angle	Module Color
27K : 2700K	16D : 16°	B : Black
30K : 3000K	24D : 24°	W : White

Exssetcial lead connector

MPD-CON-0.2m MPD feed connector with a 0.2m lead

Option

MPD-EXT-1m	MPD extension cable 1m
MPD-EXT-5m	MPD extension cable 5m
MPD-EXT-10m	MPD extension cable 10m
MPD-SPL2	MPD 2-branch connector

System Features

Point 01

Small and unobtrusive, the Micro Pinhole Downlight delivers amazing results



A clean and compact design tastefully blends into any interior. The cone has a special matte black finish to minimize glare, and features a 35° cut-off angle.

Point 02

Improved cone design reduces glare



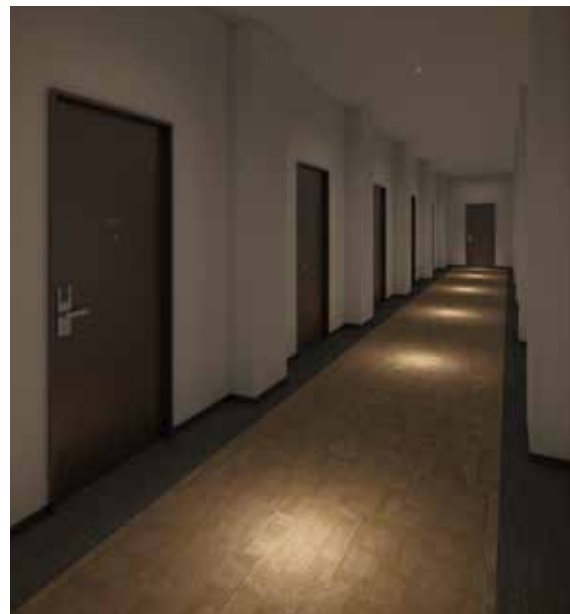
Our upgraded special low-reflecting glareless cone delivers the most effective performance ever.

Recommended uses for this series

1. Hotel guest rooms
2. Corridors and entrance
3. Restaurants and bars
4. Residences
5. Restrooms

Point 03

Functional brightness from CH2800-3200mm



CG image

This small but powerful downlight is ideal for relatively low ambient areas. Fixtures provide stylish accents in the area directly below.

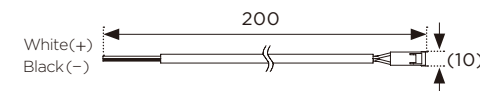


Peter Luger Steak House Tokyo

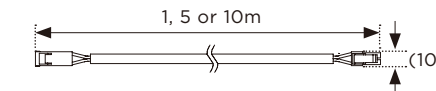
MPD02-27K-24D(Custom trim color)
 Owner : Wondertable,Ltd.
 Store Design : DESIGN POST INC.
 Lighting Design : Arc Light Design,LLC glow Inc.
 Photograph : Nacása & Partners Inc.

MPD Connectors

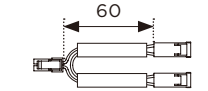
MPD feed connector with a 0.2m lead **REQUIRED**



MPD extension cable 1, 5 or 10m

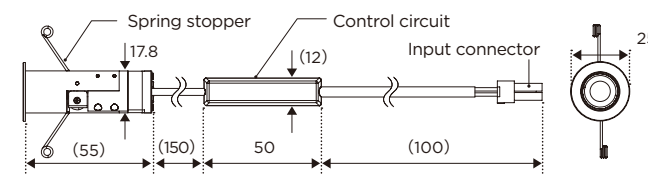


MPD 2-branch connector (mm)



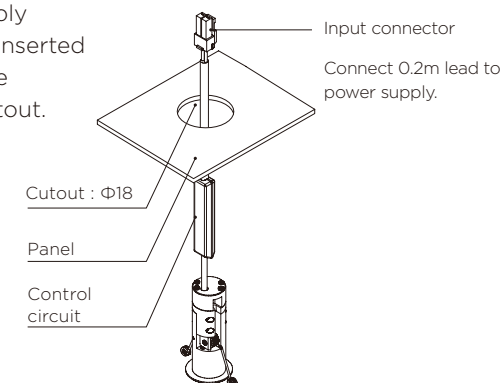
Specifications

Cutout : $\Phi 18$ (mm)
 Panel thickness : 9.5 to 25.0



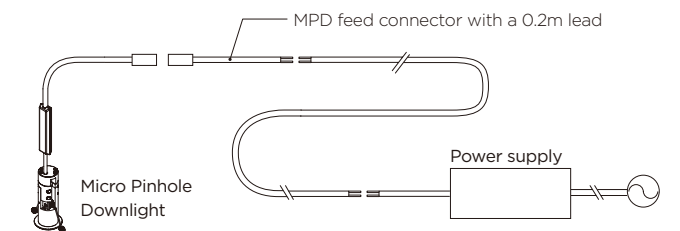
Installation

Power supply cannot be inserted through the $\Phi 18$ mm cutout.



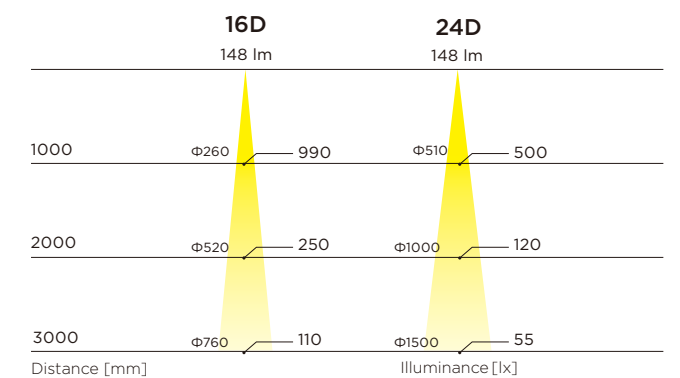
Product Components

Micro Pinhole Downlight requires an MPD connector with a 0.2 m lead and Power supplies.



Light Distribution

All values shown are for 3000K modules



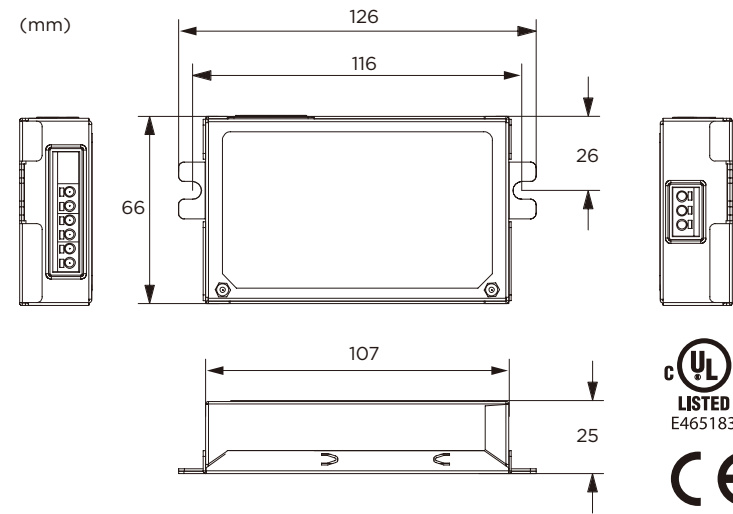
Refer to Page 27-28 for the power supplies and dimming of Micro Pinhole Downlight.

Power supplies

LDRCC-40-NS(-D)

Our constant current LED Driver accepts input from 0-10VDC dimming controls. The driver has full range dim-to-off capability.

The input is universal ranging from 100 to 277VAC 50/60 Hz.



Specifications

Input Range : 100-277VAC
 Frequency Range : 50/60 Hz
 Output : 3-57VDC
 Current : 700mA
 Max. Output Power : 40W
 Protection : Overload, Overcurrent, Short Circuit
 Over Temperature : Mis-Wiring protection (auto shutdown)
 Operating Temperature : -40°C to +50°C

Mechanical Specifications

Dimensions : 126 x 66 x 25mm
 Weight : 170g
 Enclosure Rating : IP21
 Mounting : Flange Mount
 Input/Output Connectors : Wago 253/AWG16-20

Safety Standards

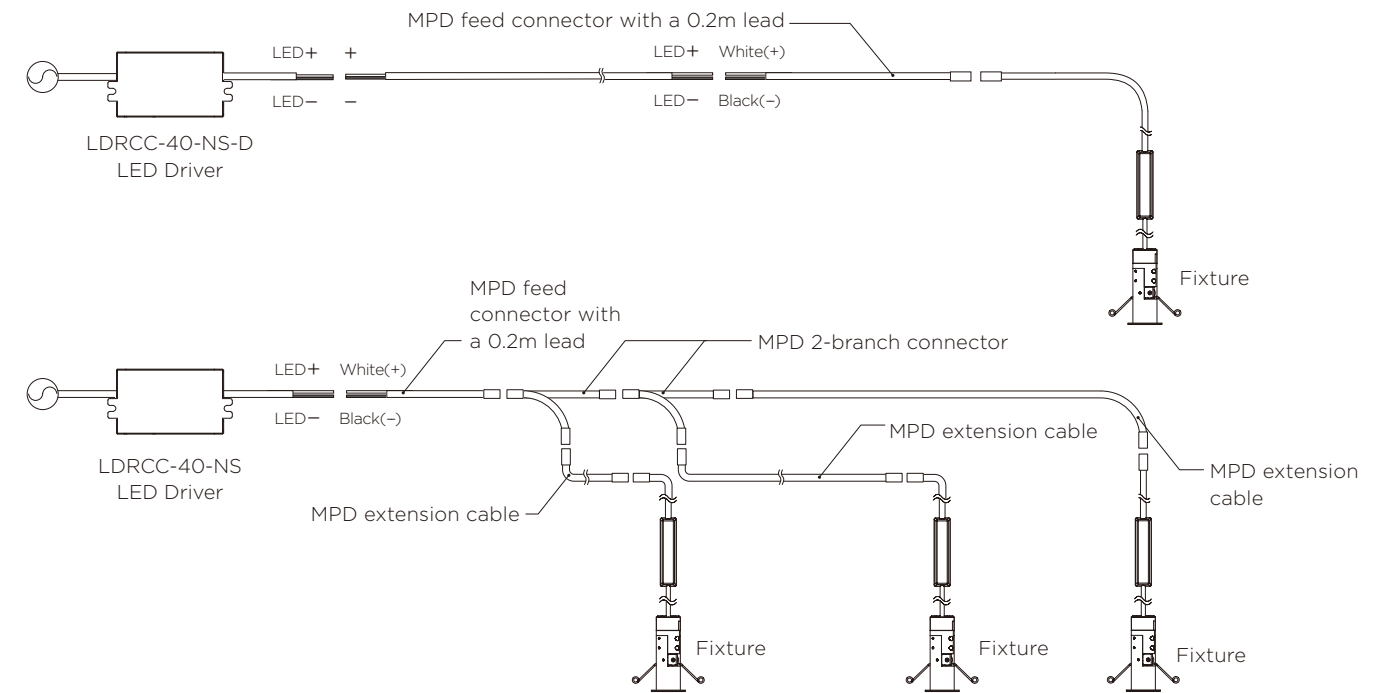
Listed to UL8750, UL Class 2, Class P
 EMI Compliance : FCC 47CFR Part 15 Class B

LED Capacity

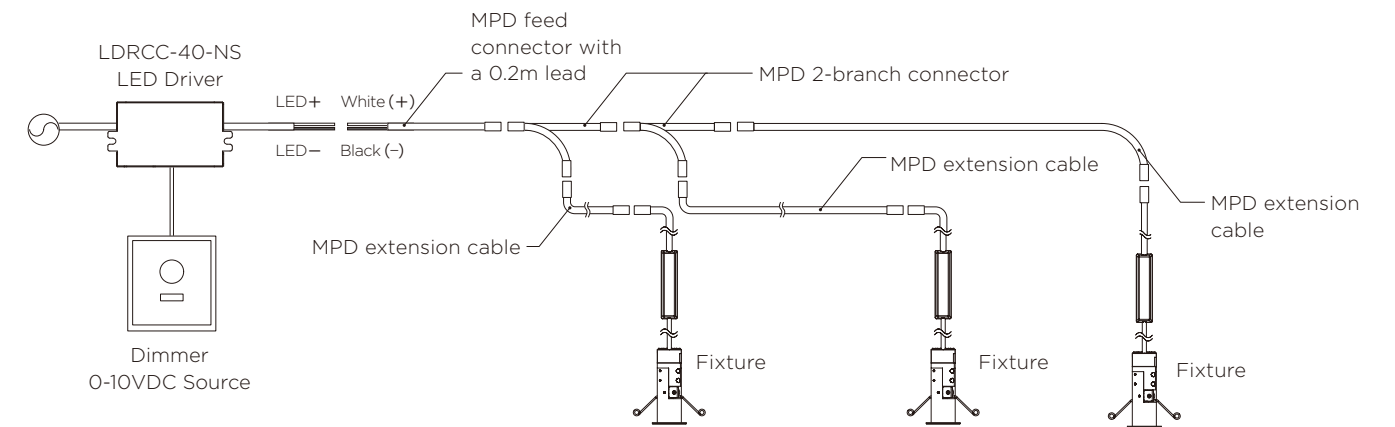
LDRCC-40-NS-D : 1 MPD (2.1 Watt) LED
 LDRCC-40-NS : 2 to 18 MPD (2.1 Watt) LEDs

Wiring Diagrams

Non-dimming



Dimming Control



Required Extension Cables and Maximum lead length

Catalog #	# of LEDs	Max / Cable length
LDRCC-40-NS-D	1 LED	Total of dedicated extension cables and additional lead (AWG18) on site : 100m
LDRCC-40-NS	2-18LEDs	

When using the MPD 2-branch connectors, please connect and branch in the vicinity of the power supply.

⚠ PRECAUTIONS

1. Read all instructions completely before beginning installation.
2. Turn off electricity before beginning installation.
3. All wiring is to be performed by a qualified electrician.
4. Installation must comply with the National Electrical Code or related applicable regulations.
5. Turn main supply to LED Driver on only after all connections have been made and tested.
6. Use only LED Drivers provided by Tokistar with the system.

MICRO SPOTLIGHT



INDOOR

5VDC

0-10V

CRI85

CRI95

Voltage = 5VDC
 Wattage = 1.2W
 Main Materials = Aluminum, Stainless steel & PMMA
 Weight = 16g (Shaft length : 30mm)



Watches of Switzerland, London

MS04-3000K-24D-S-150
 Lighting design : Callison LLC
 Photographer : @Greg Townsend / Light Projects

MSP01-□□K-□□D-□-□□□

LED Color	Beam Angle	Fixture Color	Shaft Length
CRI85	CRI95	16D : 16°	B : Black
27K : 2700K	HC27K	24D : 24°	S : Silver
30K : 3000K	HC30K	30D : 30°	
35K : 3500K	HC35K		
40K : 4000K	HC40K		
50K : 5000K	HC50K		

Fixtures and mounting parts

MSP01-__K-__D-_-30	Weight 16g	Fixture (Shaft length 30mm)
MSP01-__K-__D-_-150	Weight 25g	Fixture (Shaft length 150mm)
MSP01-__K-__D-_-250	Weight 32g	Fixture (Shaft length 250mm)
MSP01-__K-__D-_-350	Weight 40g	Fixture (Shaft length 350mm)
MS04-SKT-※(Socket color : B,S)		Standard socket
MS04-WSKT-※(including extension cord 8m)		Socket for wall

Distribution Box with AC Adapter

LPS-350-6CH-04	For Non-Dimming
LPS-MS-DIM	For Dimming

Option

MS-EXTC10	Extension cord (8m)
-----------	---------------------

System Features

Point 01 Unique in Form and Technology



The swing angle is adjustable for irradiation 60° above and 60° below. Innovative technology and a hightech appearance make Micro Spotlight a perfect solution for a variety of design objectives.

Recommended uses for this series

1. Incorporation into shelves, cabinetry, showcases and displays
2. Reading light
3. Ceiling sign spotlight
4. Highlighting artwork
5. Mobile furniture

Point 02 Functional and Aesthetically pleasing

The quality of light and superior craftsmanship of Micro Spotlights make them ideal for highlighting fine jewelry and valuable artifacts in vitrines. Available in a silver or black finish, these slender fixtures discreetly blend into any setting.

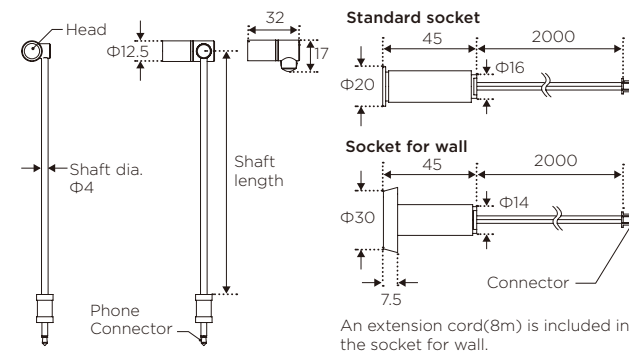


Sirena Azzurro Matsuzakaya Shizuoka Store

Design: VAL • PLANNING INC.

Specifications

Cutout (standard socket) : Φ16 (mm)
 Cutout (socket for wall) : Φ14
 Panel thickness : 2.0 to 37.0
 Minimum installation space : 200 mm or more is recommended for adequate working space



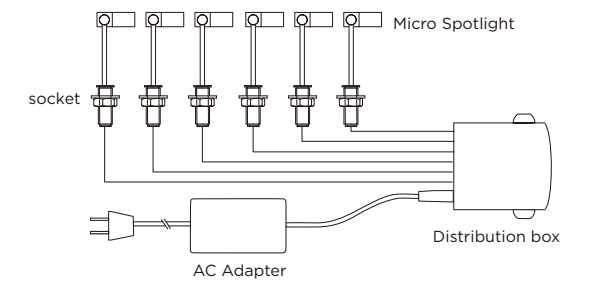
Light Distribution

All values shown are for 3000K modules ※The values in parentheses are CRI95, 3000K modules

	16D	24D	30D
	107 lm (82 lm)	107 lm (82 lm)	88 lm (68 lm)
100	Φ30 65500 (50300)	Φ46 37900 (29100)	Φ55 21200 (16400)
200	Φ60 16400 (12600)	Φ92 9490 (7270)	Φ109 5300 (4090)
300	Φ90 7290 (5580)	Φ138 4220 (3230)	Φ164 2350 (1820)
400	Φ120 4100 (3140)	Φ184 2370 (1820)	Φ218 1320 (1020)
500	Φ140 2620 (2010)	Φ230 1500 (1160)	Φ270 847 (655)
	Distance [mm]	Illuminance [lx]	

Product Components

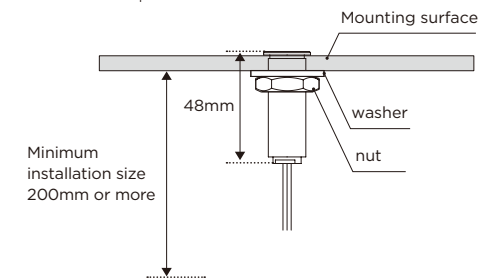
Micro Spotlight requires sockets, Distribution box and AC Adapter.



Installation

Horizontal and ceiling mounting ➡ Standard socket (cutout Φ16 mm)

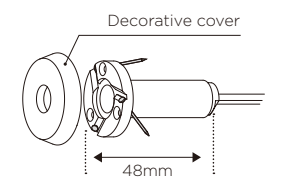
Insert the socket assembly through the hole and secure with the nut and washer provided.



Mounting to wall ➡ Socket for wall (cutout Φ14mm)

Micro Spotlight can also be provided with a socket designed for wall mounting.

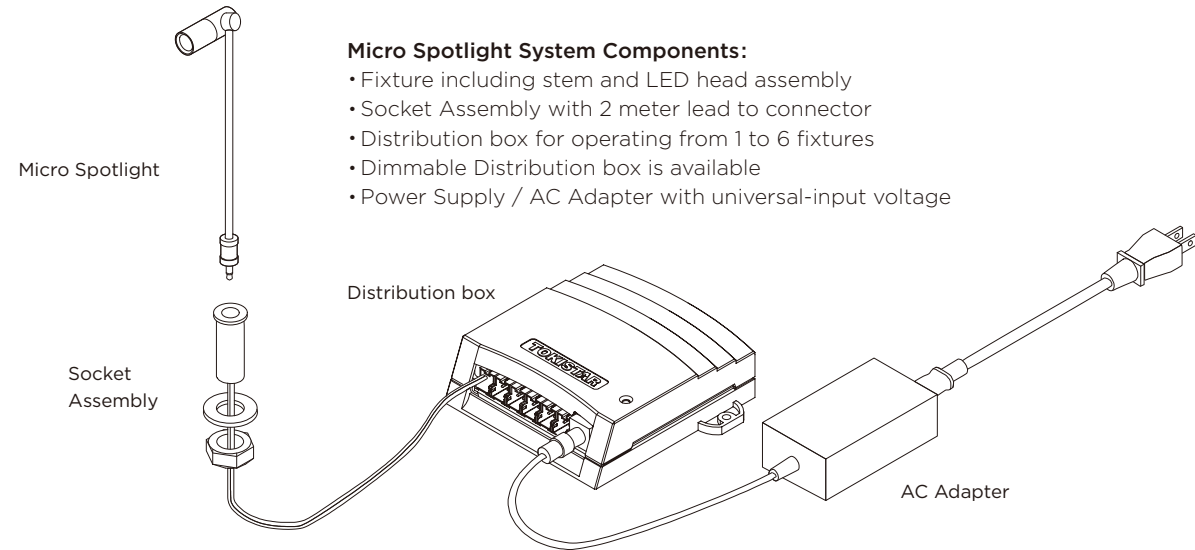
※An extension cord (8m) is included in the socket for wall.



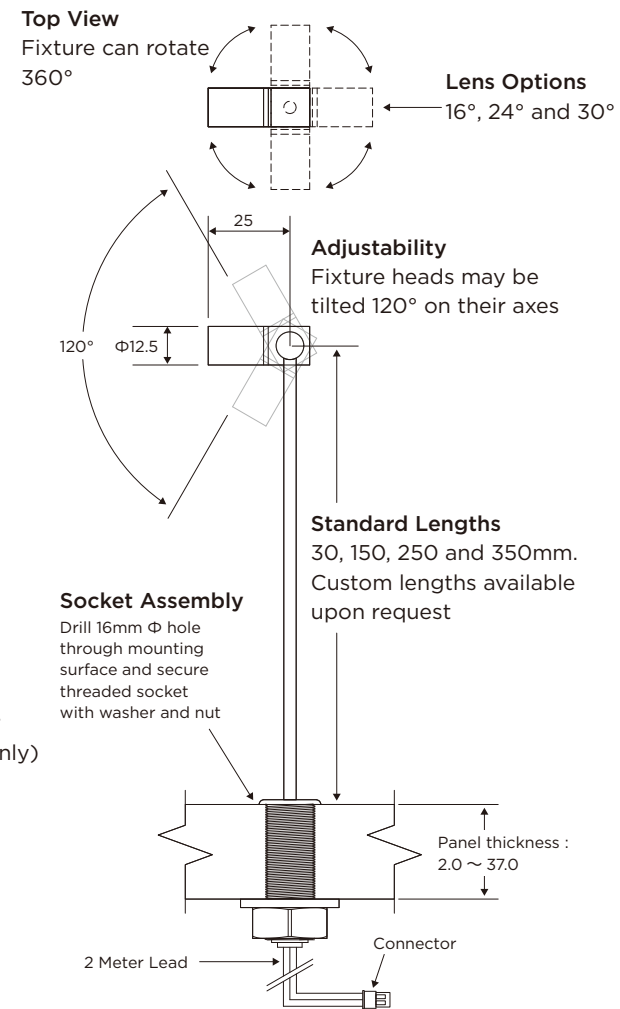
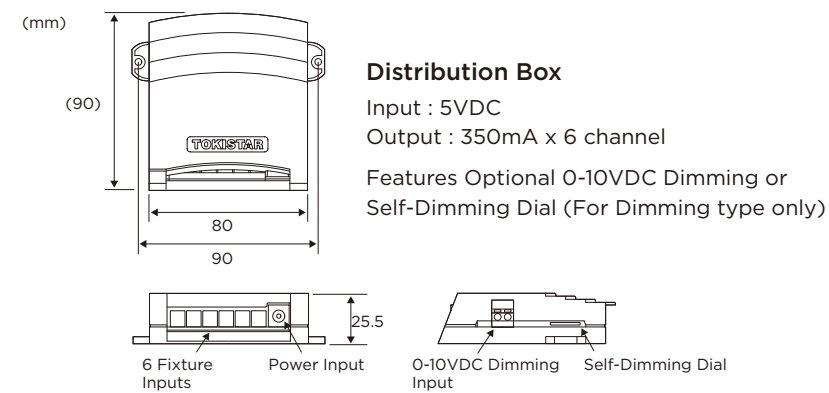
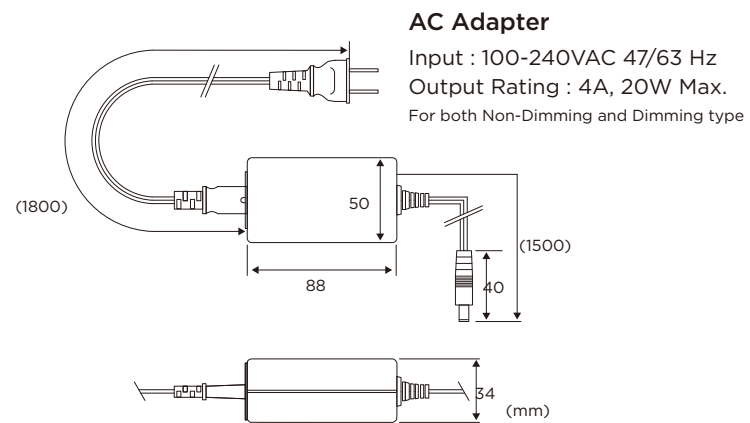
Refer to Page 31 for the power supply and dimming of Micro Spotlight.

System Diagram

(mm)



Fixture / Socket Details



⚠ PRECAUTIONS

1. Read all instructions completely before beginning installation.
2. Turn off electricity before beginning installation.
3. All wiring is to be performed by a qualified electrician.
4. Installation must comply with the National Electrical Code or related applicable regulations.
5. Turn main supply to the power supply on only after all connections have been made and tested.
6. Use only LED Drivers provided by Tokistar with the system.