

# TOKISTAR

## PRODUCT GUIDE FOCAL SERIES

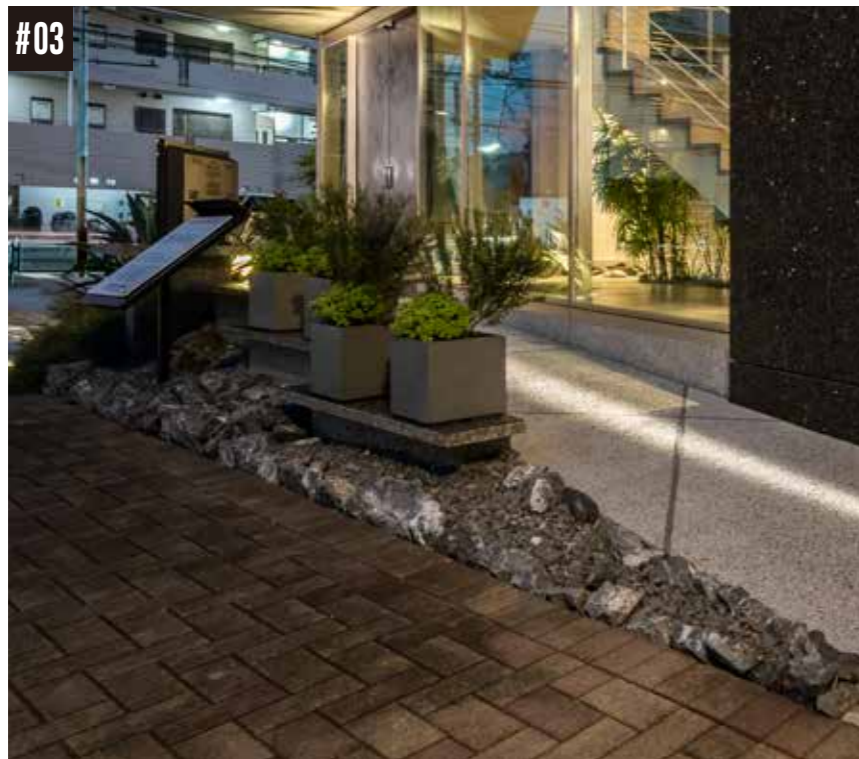
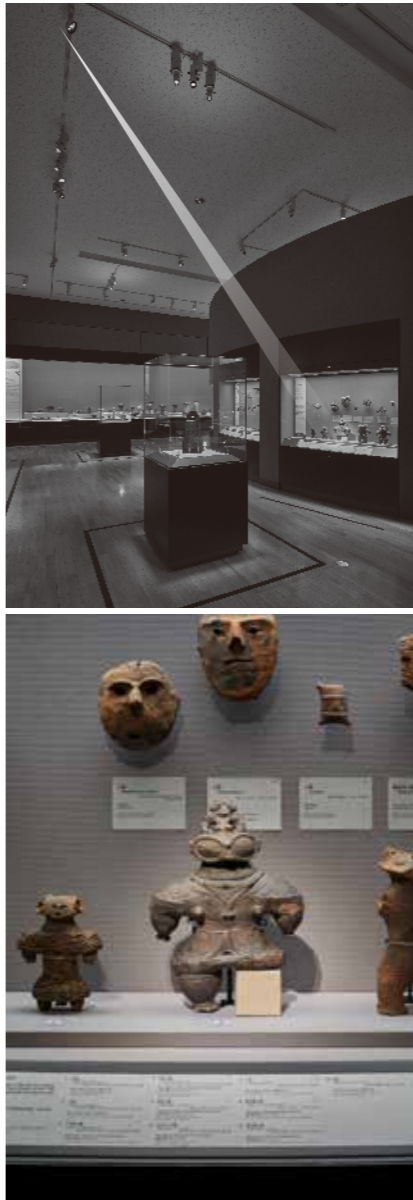
---

FOCAL SPOTMINI  
FOCAL SPOTLIGHT  
FOCAL LINE

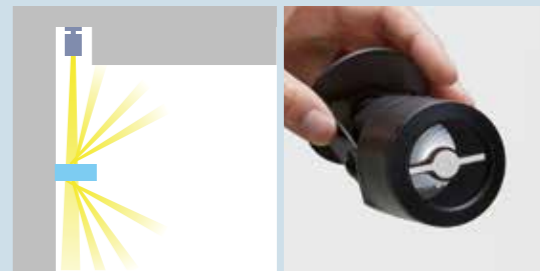


2F JS Progre, 4-1-23, Heiwajima,  
Ota-ku, Tokyo 143-0006, Japan  
TEL : +81-3-5763-6121  
FAX : +81-3-5763-6130  
[www.toki.co.jp](http://www.toki.co.jp)

2023.1 Ver. 1



**#01** A certain hospital in Kagoshima, Elevator hall

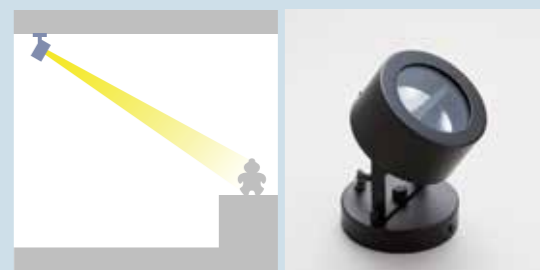


**FOCAL SPOTMINI**

FSMDR01-50K-03D-W (Custom)  
 Art Produce : ARTCOCO  
 Design : Hajime Shimoyama  
 Photograph : © KENKATO

▶▶ Page 3-4

**#02** TOKYO NATIONAL MUSEUM  
 Heiseikan : Japanese Archaeology Gallery



**FOCAL SPOTLIGHT**

FSDR01-HC50K-03D-B

▶▶ Page 5-6

**#03** MITSUBISHI ESTATE HOME  
 Komazawa Stage 1 Home Gallery



**FOCAL LINE**

FS01-5000K-L-B  
 Design : MITSUBISHI ESTATE HOME CO.,Ltd

▶▶ Page 7-8

# FOCAL SPOTMINI



INDOOR

700mA

0-10V

CRI85

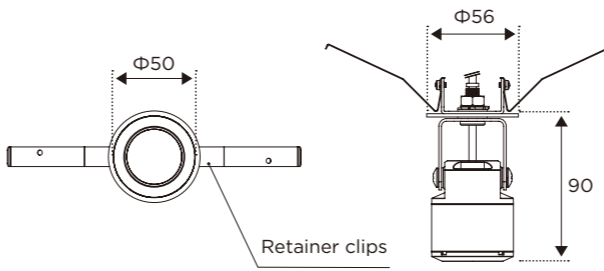
CRI95

Current = 700mA  
Wattage = 2.1W  
Weight = 240g  
Main Materials = Aluminum, PBT/PC & PMMA

## Specifications

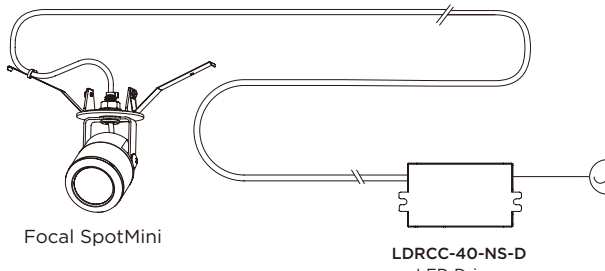
(mm)

Cutout :  $\Phi 50^{+2mm}_{-0mm}$   
Panel thickness : 5 ~ 25mm  
Embedded height : 70mm



## Product Component

Focal Spotmini requires power supplies.

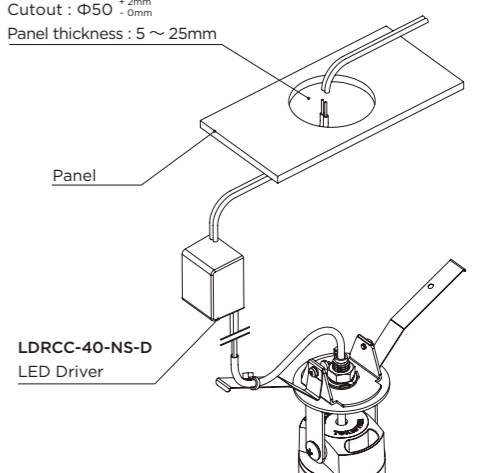


No longer than AWG18x2C 50m

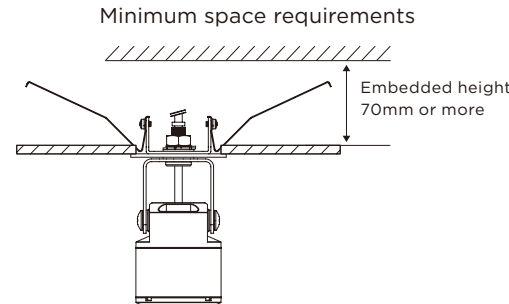
## Installation

Please contact us if you want different specifications such as wall mounting.

Cutout :  $\Phi 50^{+2mm}_{-0mm}$   
Panel thickness : 5 ~ 25mm



Minimum space requirements



### FSM01-  K-03D-

LED Color		Beam Angle	Fixture Color
CRI85	CRI95	03D : 3°	B : Black
27K : 2700K	HC27K		W : White
30K : 3000K	HC30K		
50K : 5000K			

## System Features

**Point 01** **Precise Control**

The special reflector developed for Focal Spotlight has been miniaturized, yet still maintains an ultra-narrow beam angle and light homogeneity. The significantly reduced size and weight make it ideal for interior use.



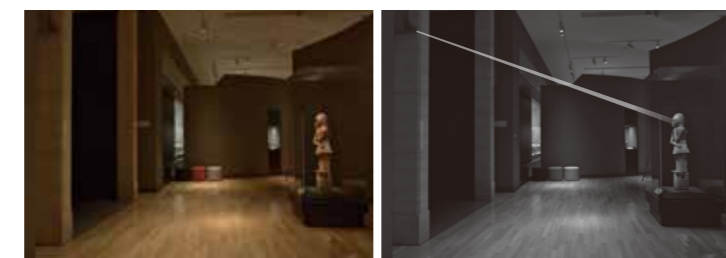
**Rotation : 360°**

**Pivot : 90°**  
Fixture head rotates and pivots.

**Narrow Beam Angle : 3°**  
Glare-free light precisely where you aim.

**Point 02** **Glare-free ultra-narrow beam angle**

The optical design suppresses light leakage. Because of the ultra-narrow angle of light distribution, glare is almost non-existent. This satisfies the demand of "I only want to illuminate this part" of paintings and exhibits in art galleries or museums.



**TOKYO NATIONAL MUSEUM**  
Heiseikan : Japanese Archaeology Gallery  
National Treasure : Haniwa Warrior in keiko armor

FSM01-3000K-03D-W

## Recommended uses for this series

1. Focus on parts of exhibits or fine works
2. Spatial production for theaters, halls, etc
3. Accenting items in restaurants, banquets, etc.



## Light Distribution

Values shown are for 3000K modules

03D		
5	$\Phi 0.25$	432
10	$\Phi 0.5$	108
15	$\Phi 0.75$	48
20	$\Phi 1.0$	27
Distance [m]		Illuminance [lx]

Refer to Page 9 for the power supply and dimming of Focal SpotMini.

# FOCAL SPOTLIGHT



Current = 700mA  
 Wattage = 2.1W  
 Weight = 710g  
 Main Materials = Aluminum, Stainless Steel & PC

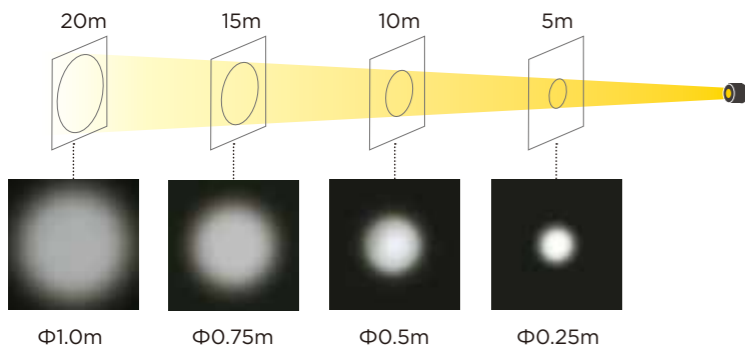
**FS01- □□□□K-03D-B**

LED Color	Beam Angle	Fixture Color
3000K 5000K	03D : 3°	B : Black

## System Features

**Point 01** Ultra-narrow angle spotlight with 3° light distribution for precise aim

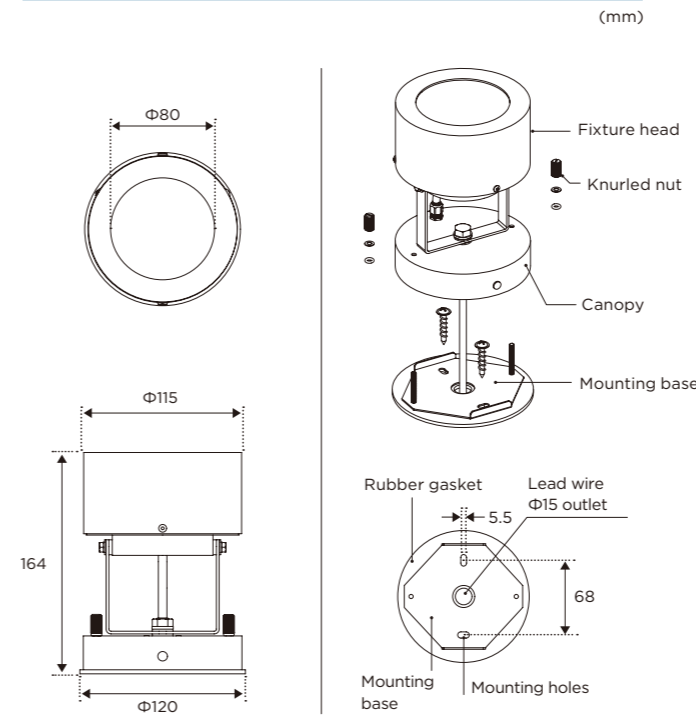
**Point 02** Innovative optical design



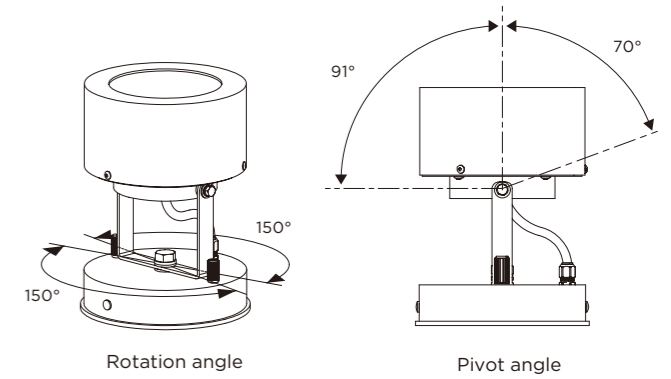
A specially designed reflector produces uniform, highly concentrated light distribution that effectively eliminates light leakage.

This outdoor spotlight has a ultra-narrow angle of light distribution, and 30,000 cd luminous intensity. It is ideal for pinpointing distant objects. The uniquely designed reflector delivers glare-free, uniform light distribution with a soft edge.

## Specifications

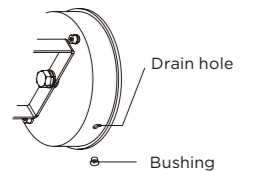


## Installation



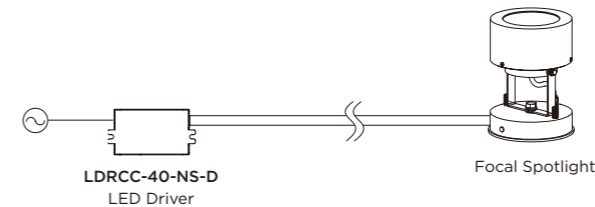
### For Wall Mounting

When affixing the fixture to a wall, make sure one of the canopy drain holes is facing downward. Remove the bushing facing downward.



## Product Component

Focal Spotlight requires power supplies.



No longer than AWG18x2C 50m

## Light Distribution

Values shown are for 5000K modules

03D (30300cd)		
5	Φ0.25	1213
10	Φ0.5	303
15	Φ0.75	135
20	Φ1.0	76
Distance[m]		Illuminance[lx]



### Recommended uses for this series

1. Applications requiring a narrow beam of light.
2. Linear accents on building exteriors
3. Highlighting distant objects such as sign boards and nameplates on commercial facilities



Refer to Page 9 for the power supply and dimming of Focal Spotlight.

# FOCAL LINE



OUTDOOR	IP66	700mA	0-10V	CRI80
---------	------	-------	-------	-------

Current = 700mA  
 Wattage = 2.1W  
 Weight = 770g  
 Main Materials = Aluminum, Stainless Steel & PC

FS01- □□□□K-L-B

**LED Color**  
 3000K  
 5000K

**Fixture Color**  
 B : Black

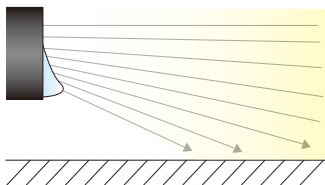
## System Features

Point 01

Equipped with a uniquely designed polarized light distribution lens



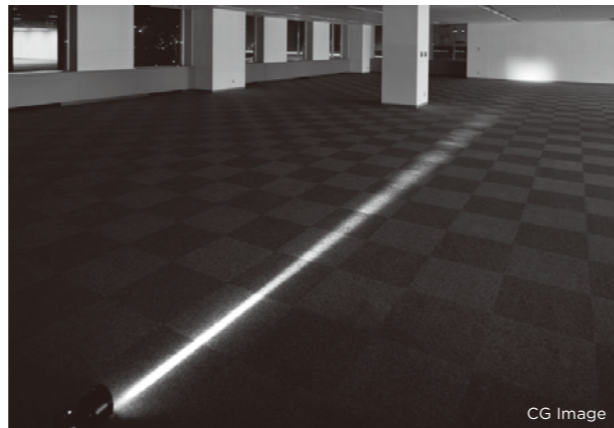
Original design  
 Special lens  
 (patented)



Because of the unique polarized lens, it is possible to maintain a narrow light distribution and illuminate only the walls and pillars you want to illuminate.

Point 02

For new performance expressions

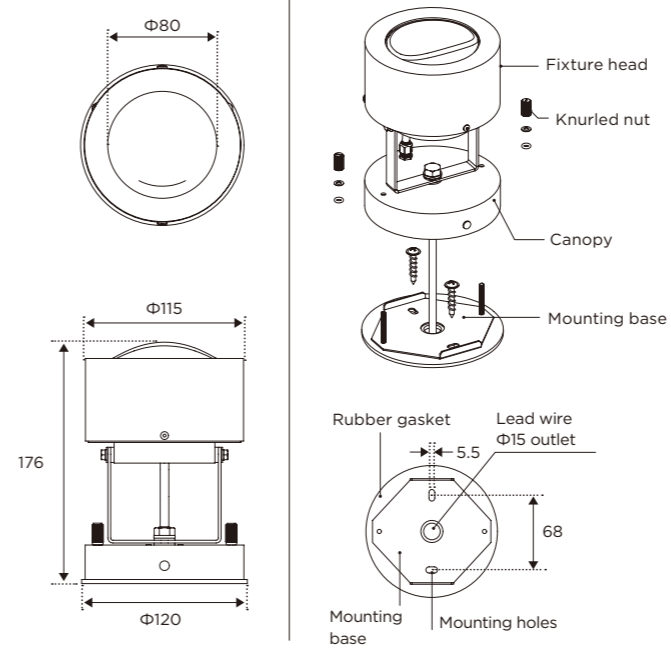


CG Image

You can create an effect that has been difficult to achieve in the past, long linear beams of light. In addition to architectural displays, fixtures can also be used for promotional events.

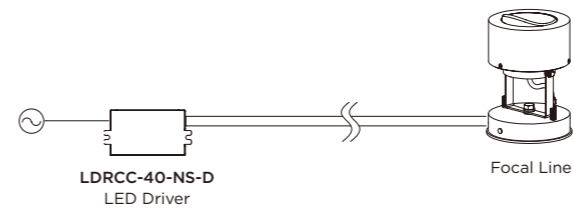
## Specifications

(mm)



## Product Component

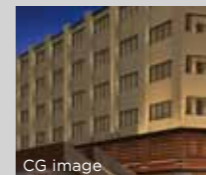
Focal Line requires power supplies.



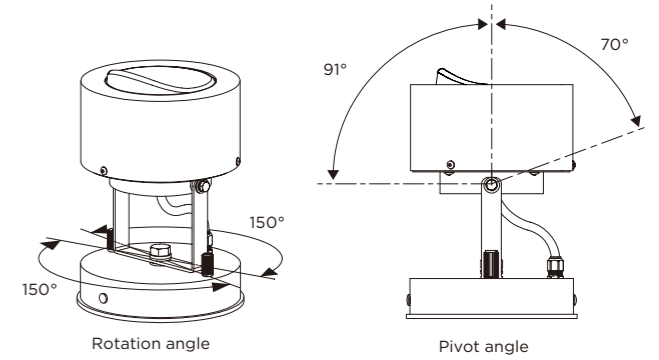
No longer than AWG18x2C 50m

## Recommended uses for this series

1. Architectural use Facades, Uplighting, Mullions, Eaves, etc. Produces narrow light effects.
2. Event use Lighting a pathway across ground or highlighting a wall, etc.

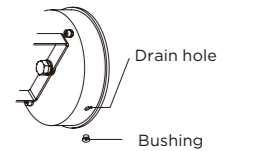


## Installation

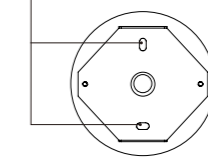


## For Wall Mounting

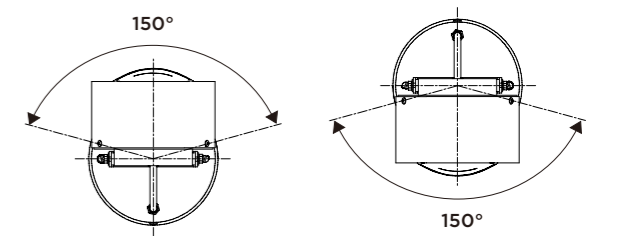
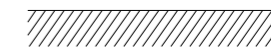
When affixing the fixture to a wall, make sure one of the canopy drain holes is facing downward. Remove the bushing facing downward.



Mounting holes



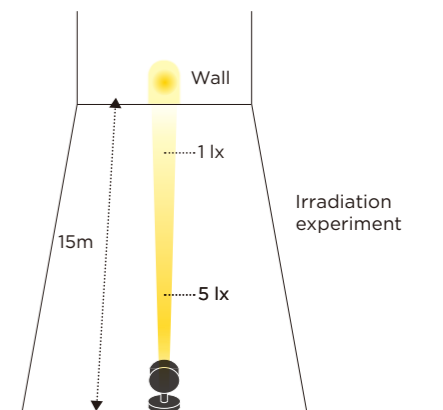
Set the mounting base in the orientation shown in the left figure.



Rotation angle :  
 When irradiation direction is upward

Rotation angle :  
 When irradiation direction is downward

## Light Distribution

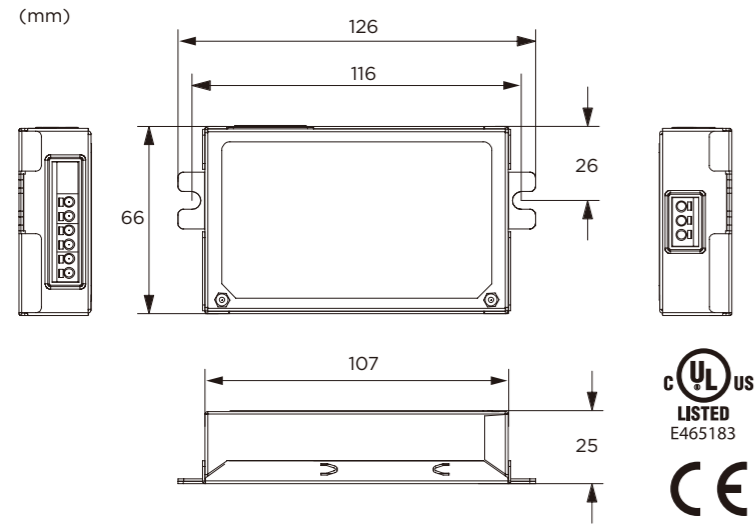


Refer to Page 9 for the power supply and dimming of Focal Line.

## Power Supply

### LDRCC-40-NS-D

Our constant current LED Driver accepts input from 0-10VDC dimming controls. The driver has full range dim-to-off capability. The input is universal ranging from 100 to 277VAC 50/60 Hz.



#### LDRCC-40 Specifications

Input Range : 100-277VAC  
 Frequency Range : 50/60 Hz  
 Output : 3-57VDC  
 Current : 700mA  
 Max. Output Power : 40W  
 Protection : Overload, Overcurrent, Short Circuit  
 Over Temperature : Mis-Wiring protection (auto shutdown)  
 Operating Temperature : -40°C to +50°C

#### Mechanical Specifications

Dimensions : 126 x 66 x 25mm  
 Weight : 170g  
 Enclosure Rating : IP21  
 Mounting : Flange Mount  
 Input/Output Connectors : Wago 253/AWG16-20

#### Safety Standards

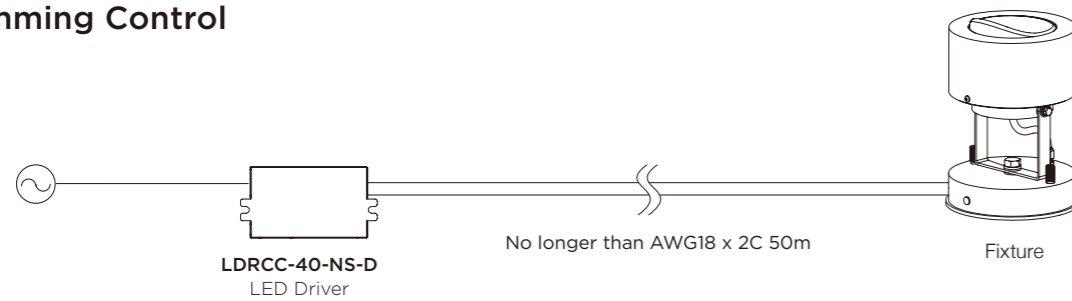
Listed to UL8750, UL Class 2, Class P  
 EMI Compliance : FCC 47CFR Part 15 Class B

#### LED Capacity

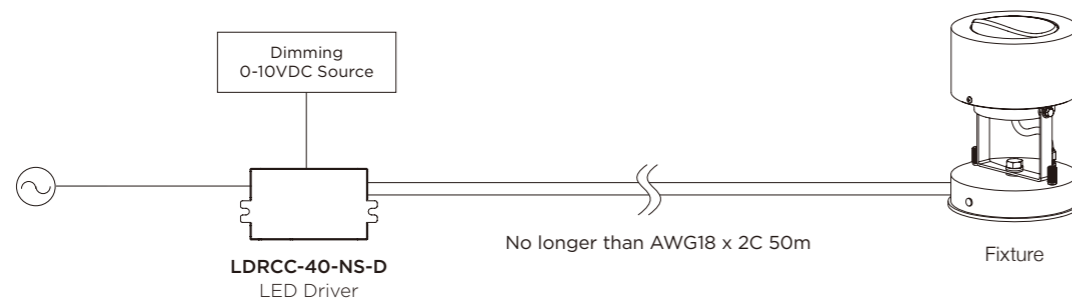
1 FSM01 or FS01 (2.1 Watt) lighting fixture

## Wiring Diagram

### Non-dimming Control



### Dimming Control



#### ⚠ PRECAUTIONS

1. Read all instructions completely before beginning installation.
2. Turn off electricity before beginning installation.
3. All wiring is to be performed by a qualified electrician.
4. Installation must comply with the National Electrical Code, or all applicable codes.
5. Turn main supply to LED Driver on only after all connections have been made and tested.
6. Use only LED Drivers provided by Tokistar with the system.